

SAID-M8S-3S-SMT

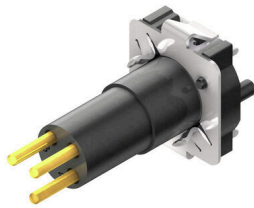
Weidmüller Interface GmbH & Co. KG

Klingenbergstraße 26

D-32758 Detmold

Germany

www.weidmueller.com



Weidmüller is one of the industry's leading international providers of connectors. An important mainstay in this product family are the circular connectors, which Weidmüller groups under the product name SAI. In the development of SAI products, Weidmüller engineers have always concentrated on achieving rational, cost-effective installation concepts, and – in cooperation with major users – have supplied the markets with well-conceived products which set standards in terms of functionality and quality across the globe. The best examples are the new power distributors with S and T coded M12. These modules are characterised by particularly high currents and voltages. This enables them to also be used, for example, with three-phase motors.

General ordering data

| | |
|------------|---|
| Version | Built-in plugs, M8, Mounting thread: , Number of poles: 3, Strand / cable length: |
| Order No. | 2421810000 |
| Type | SAID-M8S-3S-SMT |
| GTIN (EAN) | 4050118429589 |
| Qty. | 25 items |

SAID-M8S-3S-SMT

Weidmüller Interface GmbH & Co. KG

Klingenbergstraße 26

D-32758 Detmold

Germany

www.weidmueller.com

Technical data

Approvals

ROHS Conform

Dimensions and weights

Net weight 1.7 g

Environmental Product Compliance

| | |
|--------------------------------------|--------------------------------------|
| RoHS Compliance Status | Compliant with exemption |
| RoHS Exemption (if applicable/known) | 6c |
| REACH SVHC | Lead 7439-92-1 |
| SCIP | 0ea6d931-f9e9-40a6-89d9-8d67103189d3 |

Technical data of PCB plug-in connector

| | | | |
|--|------------------------------|-----------------------|--|
| Number of poles | 3 | Coding | M8 = none |
| Housings | M8 pin | Shield connection | Yes |
| Nominal voltage | 60 V | Rated voltage | 60 V (3-pole) / 30 V (4-, 5- and 8-pole) |
| Nominal current | 4 A | Rated current | 4 A (3-, 4- and 5-pole) / 1.5 A (8-pole) |
| Temperature range | -25...95 °C | Protection degree | IP67 |
| Contact surface | Au (Gold) | Housing main material | LCP |
| Connection thread | M8 | Tightening torque | M8: 0.5 Nm |
| Pollution severity | 3 (2 within the sealed area) | Plugging cycles | ≥ 100 |
| Contact material | Cu-alloy | Lock nut material | Nickel-plated CuZn |
| Material of the flange-mounted housing | Nickel-plated CuZn | | |

General Info

| | | | |
|-----------------------|----------|---------------------------|-----------|
| Number of poles | 3 | UL 94 flammability rating | V-0 |
| Housing main material | LCP | Connection thread | M8 |
| Contact material | Cu-alloy | Contact surface | Au (Gold) |
| Protection degree | IP67 | Plugging cycles | ≥ 100 |

Material data

| | | | |
|---------------------------|-----------|------------------|----------|
| UL 94 flammability rating | V-0 | Contact material | Cu-alloy |
| Contact surface | Au (Gold) | | |

System parameters

| | | | |
|-------------------|------|---------------------|-------|
| Number of poles | 3 | Pin series quantity | 1 |
| Protection degree | IP67 | Plugging cycles | ≥ 100 |

Important note

Notes

Classifications

| | | | |
|-------------|-------------|-------------|-------------|
| ETIM 8.0 | EC003557 | ETIM 9.0 | EC003557 |
| ETIM 10.0 | EC003557 | ECLASS 14.0 | 27-44-02-23 |
| ECLASS 15.0 | 27-44-02-23 | | |

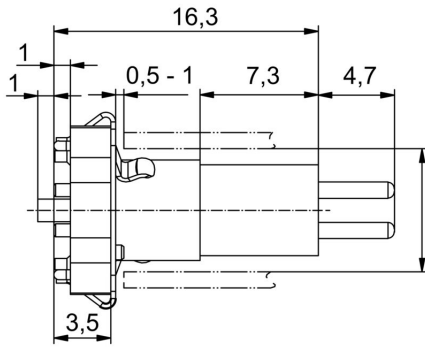
SAID-M8S-3S-SMT

Weidmüller Interface GmbH & Co. KG
 Klingenbergstraße 26
 D-32758 Detmold
 Germany

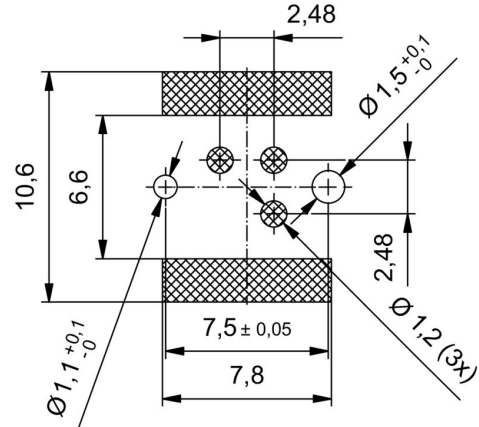
www.weidmueller.com

Drawings

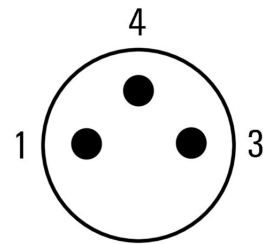
Dimensioned drawing



PCB design



Pole scheme



M8 = none

SAID-M8S-3S-SMT

Weidmüller Interface GmbH & Co. KG

Klingenbergstraße 26

D-32758 Detmold

Germany

www.weidmueller.com

Accessories

Accessories



Weidmüller is one of the industry's leading international providers of connectors. An important mainstay in this product family are the circular connectors, which Weidmüller groups under the product name SAI. In the development of SAI products, Weidmüller engineers have always concentrated on achieving rational, cost-effective installation concepts, and – in cooperation with major users – have supplied the markets with well-conceived products which set standards in terms of functionality and quality across the globe. The best examples are the new power distributors with S and T coded M12. These modules are characterised by particularly high currents and voltages. This enables them to also be used, for example, with three-phase motors.

General ordering data

| | | |
|------------|----------------------------|--|
| Type | SAIFG-M8S-M10-9 | Version |
| Order No. | 2424520000 | Built-in plugs, M8 pin, Installation height: 9 mm |
| GTIN (EAN) | 4050118432251 | |
| Qty. | 25 ST | |
| Type | SAIFG-M8S-M10-13 | Version |
| Order No. | 2424530000 | Built-in plugs, M8 pin, Installation height: 13 mm |
| GTIN (EAN) | 4050118432343 | |
| Qty. | 25 ST | |
| Type | SAIE-KMM12X1-SW14 | Version |
| Order No. | 2424570000 | Built-in plugs |
| GTIN (EAN) | 4050118432473 | |
| Qty. | 25 ST | |
| Type | SAIHG-M8S-M12-6 | Version |
| Order No. | 2424540000 | Built-in plugs, M8 pin, Installation height: 6 mm |
| GTIN (EAN) | 4050118432381 | |
| Qty. | 25 ST | |
| Type | SAIHG-M8S-M12-10 | Version |
| Order No. | 2424550000 | Built-in plugs, M8 pin, Installation height: 10 mm |
| GTIN (EAN) | 4050118431629 | |
| Qty. | 25 ST | |
| Type | SAIE-KMM10X1-SW12 | Version |
| Order No. | 2424560000 | Built-in plugs |
| GTIN (EAN) | 4050118432107 | |
| Qty. | 25 ST | |