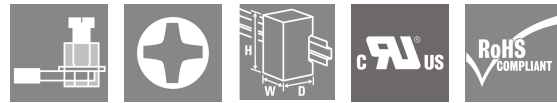


CMA-31-600-5A-5VA-1

Weidmüller Interface GmbH & Co. KG

Klingenbergstraße 26
D-32758 Detmold
Germany

www.weidmueller.com



Plug-on current transformers

Plug-on current transformers are used wherever high currents of up to 5000A need to be measured and processed. Our plug-on current transformers supply secondary currents of 1A or 5A. Weidmüller also offers compact low-power current transformers to convert currents of up to 600 A to voltages of up to 333 mV.

General ordering data

Version	Primary current: 600 A, Secondary current max.: 5 A, Load: 5 VA, Tolerance class: 1, closed current transformer
Order No.	2420900000
Type	CMA-31-600-5A-5VA-1
GTIN (EAN)	4050118429176
Qty.	1 items
Manufacturer	MBS AG

CMA-31-600-5A-5VA-1

Weidmüller Interface GmbH & Co. KG
Klingenbergstraße 26
D-32758 Detmold
Germany

www.weidmueller.com

Technical data

Approvals

ROHS	Conform
------	---------

Dimensions and weights

Depth	52 mm	Depth (inches)	2.0472 inch
Height	80.9 mm	Height (inches)	3.185 inch
Width	60 mm	Width (inches)	2.3622 inch
Net weight	230 g		

Temperatures

Storage temperature	-25 °C...70 °C	Operating temperature	-5 °C...50 °C
---------------------	----------------	-----------------------	---------------

Environmental Product Compliance

RoHS Compliance Status	Compliant
REACH SVHC	No SVHC above 0.1 wt%

Dimensions of live conductors

Type of conductor	Insulated conductor only	Round conductor	25.70 mm
Rail	20 x 20 mm, 25 x 12 mm, 30 x 10 mm	Installation location	Indoor use

Electrical attributes

Tolerance class	1	Secondary current	0...5 A
Load	5 VA	Primary current	600 A

Technical properties

Protection degree	IP20	Insulation class	E
Thermal rated continuous current I _{thermal}	1.2 x I _{rated}	Nominal frequency	50 Hz

Insulation coordination

Standard	IEC 61869-1: 2007, IEC 61869-2: 2012	Tolerance class	1
----------	---	-----------------	---

Classifications

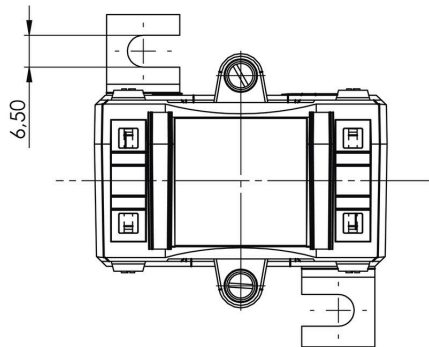
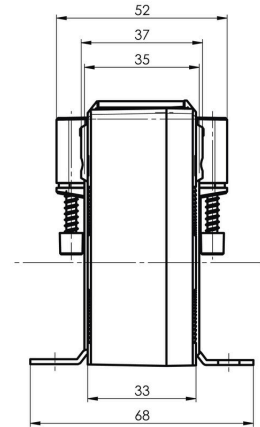
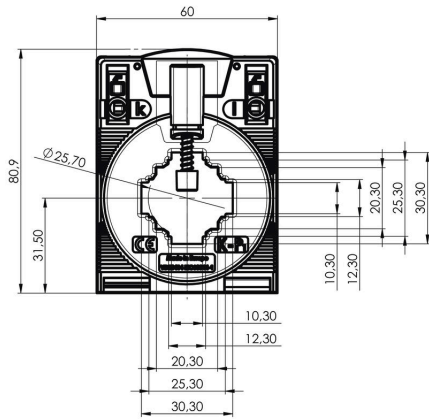
ETIM 8.0	EC002048	ETIM 9.0	EC002048
ETIM 10.0	EC002048	ECLASS 14.0	27-21-09-02
ECLASS 15.0	27-21-09-02		

CMA-31-600-5A-5VA-1

Weidmüller Interface GmbH & Co. KG
Klingenbergstraße 26
D-32758 Detmold
Germany

Drawings

www.weidmueller.com



CMA-31-600-5A-5VA-1

Weidmüller Interface GmbH & Co. KG
Klingenbergstraße 26
D-32758 Detmold
Germany

Accessories

www.weidmueller.com

Plug-on current transformer - ValueLine



Plug-on current transformers

Plug-on current transformers are used wherever high currents of up to 5000A need to be measured and processed. Our plug-on current transformers supply secondary currents of 1A or 5A. Weidmüller also offers compact low-power current transformers to convert currents of up to 600 A to voltages of up to 333 mV.

General ordering data

Type	CMA-31-41-SNAP-ON	Version	
Order No.	2723380000		
GTIN (EAN)	4050118810622		
Qty.	1 ST		