

CH20M22 C BK 1819

Weidmüller Interface GmbH & Co. KG
 Klingenbergstraße 26
 D-32758 Detmold
 Germany

www.weidmueller.com

Product image



The Flip cover of the CH20M housing offers practical functions that support your application. It can be sealed, which ensures additional security and protection for your contents. You also have the option of printing on the cover using pad printing to clearly display important information or logos.

In addition, markers can be used to apply specific instructions or markings directly on the cover.

General ordering data

Version	Modular housing, OMNIMATE Housing - series CH20M black, Transparent, Flip cover, Width: 22.5 mm
Order No.	2418670000
Type	CH20M22 C BK 1819
GTIN (EAN)	4032248899111
Qty.	50 items

CH20M22 C BK 1819

Weidmüller Interface GmbH & Co. KG
 Klingenbergstraße 26
 D-32758 Detmold
 Germany

www.weidmueller.com

Technical data

Approvals

ROHS	Conform
------	---------

Dimensions and weights

Depth	6 mm	Depth (inches)	0.2362 inch
Height	86.9 mm	Height (inches)	3.4213 inch
Width	22.5 mm	Width (inches)	0.8858 inch
Net weight	3.82 g		

Temperatures

Ambient temperature	-25 °C...85 °C	Operating temperature range	-40...120 °C
Humidity	5 - 93% rel. humidity, Tu = 40°C, no condensation		

Environmental Product Compliance

RoHS Compliance Status	Compliant without exemption
REACH SVHC	No SVHC above 0.1 wt%

Material data

UL 94 flammability rating	V-2	Insulating material	PC
Insulating material group	IIIa	Surface finish	untreated
Basic material	Plastic	Comparative Tracking Index (CTI)	175 ≤ CTI <400

General data

Colour	black, Transparent	Protection degree	IP20 in installed state
Colour chart (similar)	RAL 9011, -	Information regarding whole assembly, see referenced articles	CH20M22 B BK/OR 2010
Encapsulation option	No		

Component properties

Safety lock	sealable	Marker integrateable	Yes
-------------	----------	----------------------	-----

Individualization options

Customer specific cutouts possible	No	Customer specific labelling possible	Yes
Customer specific order process	See guideline under downloads	Alternative colours	More on request

Classifications

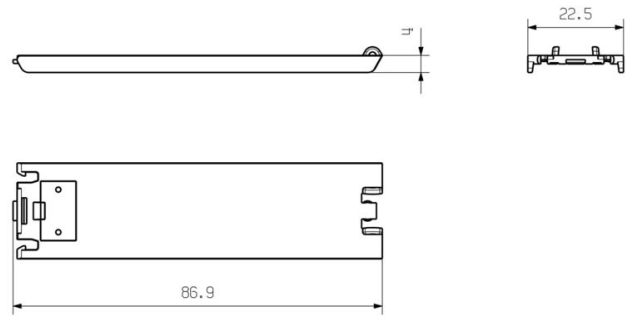
ETIM 8.0	EC001031	ETIM 9.0	EC001031
ETIM 10.0	EC001031	ECLASS 14.0	27-19-06-03
ECLASS 15.0	27-19-06-03		

Drawings

Product image



Dimensioned drawing



CH20M22 C BK 1819

Weidmüller Interface GmbH & Co. KG

Klingenbergstraße 26

D-32758 Detmold

Germany

www.weidmueller.com

Accessories

Custom printing



ESG is the tried-and-tested marker in MultiCard format for use on many well-known electrical devices. The result is high-quality device marking with a high-contrast appearance.

Various types are available for devices from manufacturers like Siemens, ABB, Beckhoff etc.

Advantages at a glance:

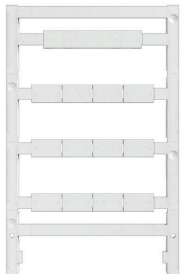
- Tags for universal usage, self-adhesive or clip-on tags, depending on type
- For aligned equipment, e.g. circuit breakers, we supply ESG markers for clipping onto tag rails
- Individual laser-quality printing according to specifications

For custom printing: Please send us a file of our labeling software M-Print PRO or M-Print PRO Online (without installation) for your labeling specifications.

General ordering data

Type	ESG 8/13.5/43.3 SAI SDR	Version
Order No.	1038860000	ESG, Device markers x 13.5 mm, PA 66, Colour: To customer
GTIN (EAN)	4032248768110	specification, pluggable
Qty.	1 ST	

Blank



ESG is the tried-and-tested marker in MultiCard format for use on many well-known electrical devices. The result is high-quality device marking with a high-contrast appearance.

Various types are available for devices from manufacturers like Siemens, ABB, Beckhoff etc.

Advantages at a glance:

- Tags for universal usage, self-adhesive or clip-on tags, depending on type
- For aligned equipment, e.g. circuit breakers, we supply ESG markers for clipping onto tag rails
- Individual laser-quality printing according to specifications

For custom printing: Please send us a file of our labeling software M-Print PRO or M-Print PRO Online (without installation) for your labeling specifications.

General ordering data

Type	ESG 8/13.5/43.3 SAI AU	Version
Order No.	1912130000	ESG, Device markers x 13.5 mm, PA 66, Colour: Transparent,
GTIN (EAN)	4032248541164	pluggable
Qty.	5 ST	