

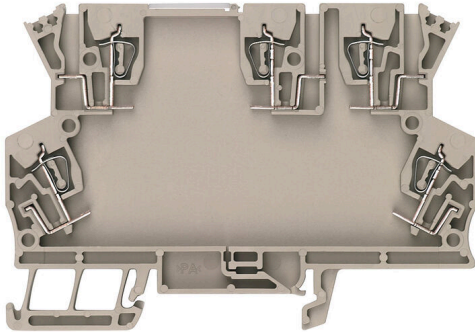
GH MCZ1.5 1674**Weidmüller Interface GmbH & Co. KG**

Klingenbergstraße 26

D-32758 Detmold

Germany

www.weidmueller.com



Open miniature housing in modular terminal format with five tension clamp connections. A transparent hinged top plate can be used for labelling and provides access to potentiometer and status displays. Plug-in cross-connectors can be used to interconnect the three top connections. A cover plate for closing off the housing is also available.

General ordering data

Version	Mounting rail housing, OMNIMATE Housing - TERMINALBOX grey-beige, Housing base part, Connection technology, Width: 6 mm
Order No.	2224220000
Type	GH MCZ1.5 1674
GTIN (EAN)	4008 190967420
Qty.	100 items

GH MCZ1.5 1674

Weidmüller Interface GmbH & Co. KG
Klingenbergstraße 26
D-32758 Detmold
Germany

www.weidmueller.com

Technical data

Approvals

ROHS	Conform
------	---------

Dimensions and weights

Depth	63 mm	Depth (inches)	2.4803 inch
Height	91 mm	Height (inches)	3.5827 inch
Width	6 mm	Width (inches)	0.2362 inch
Length	0 mm	Net weight	12.37 g

Environmental Product Compliance

RoHS Compliance Status	Compliant without exemption
REACH SVHC	No SVHC above 0.1 wt%

Material data

UL 94 flammability rating	V-0	Insulating material	PA 66
Insulating material group	I	Surface finish	untreated
Basic material	Plastic	Comparative Tracking Index (CTI)	600 ≤ CTI

General data

Colour	grey-beige	Protection degree	IP20 in installed state
Mounting rail	TS 32, TS 35	Colour chart (similar)	
Encapsulation option	Yes		

Design - IN requirements

Tolerance for the PCB shape	±0.1 mm	PCB thickness	1 mm
Tolerance of circuit board thickness	±0.1 mm		

Individualization options

Customer specific cutouts possible	No	Customer specific labelling possible	Yes
Alternative colours	More on request		

Assembly properties

Number of connection levels	2	Number of PCBs, max.	1
Cross-connection	Yes	Type of connection	Tension-clamp connection

Housing properties

Flip cover mountable	Yes	Marker integrateable	Yes
Cross-connection	Yes	Number of connection levels	2

Classifications

ETIM 8.0	EC001031	ETIM 9.0	EC001031
ETIM 10.0	EC001031	ECLASS 14.0	27-18-27-92
ECLASS 15.0	27-18-27-92		