

**AMG CM****Weidmüller Interface GmbH & Co. KG**Klingenbergstraße 26  
D-32758 Detmold  
Germany

www.weidmueller.com



Similar to illustration

Efficient machine and facility operation calls for fail-safe and maintenance-friendly control voltage distribution that can be installed in a time and space-saving manner.

With the new maxGUARD system, the terminal blocks (previously installed separately) for distributing potential to the outputs of the electronic load monitors become an integral part of a 24 V DC control voltage distribution system.

The innovative combination of load monitoring and potential distribution saves time during installation, increases safety against failure and reduces the amount of space required on the terminal rail by 50%.

**General ordering data**

Version	Control module, 24 V DC
Order No.	<a href="#">2081900000</a>
Type	AMG CM
GTIN (EAN)	4050118419573
Qty.	1 items

## AMG CM

**Weidmüller Interface GmbH & Co. KG**  
 Klingenbergstraße 26  
 D-32758 Detmold  
 Germany

www.weidmueller.com

## Technical data

### Approvals

Approvals



ROHS	Conform
UL File Number Search	<a href="#">UL Website</a>
Certificate no. (cULus)	E258476

### Dimensions and weights

Depth	96.5 mm	Depth (inches)	3.7992 inch
Height	125 mm	Height (inches)	4.9212 inch
Width	12.2 mm	Width (inches)	0.4803 inch
Net weight	56 g		

### Temperatures

Storage temperature	-40 °C...85 °C	Operating temperature	-25 °C...70 °C
---------------------	----------------	-----------------------	----------------

### Environmental Product Compliance

RoHS Compliance Status	Compliant with exemption
RoHS Exemption (if applicable/known)	7a, 7cI
REACH SVHC	Lead 7439-92-1
SCIP	a7fff16c-85aa-4fb0-a206-7be03f41b0b7

### Input

Rated input voltage	24 V DC	Surge protection	Suppressor diode
Input fuse (internal)	No	DC input voltage range	18...30 V DC
Current consumption (idle)	25 mA	Current consumption (full load)	225 mA
max. admissible residual ripple at the input	100 mVpp		

### Output

Connection system	PUSH IN	Surge protection	Suppressor diode
-------------------	---------	------------------	------------------

### General data

Protection degree	IP20	
Surge voltage category	III	
MTTF	According to Standard	SN 29500
	Operating time (hours), min.	3551000 h
	Ambient temperature	40 °C
	Input voltage	24 V
	Duty cycle	100 %
Conformal coating	No	
Power loss, idling	336 mW	
Power loss, nominal load	452 mW	
Control inputs	ON/ OFF, Reset	
Relay to activate the output	No	

## AMG CM

**Weidmüller Interface GmbH & Co. KG**  
 Klingenbergstraße 26  
 D-32758 Detmold  
 Germany

www.weidmueller.com

## Technical data

### Insulation coordination

Surge voltage category III

### Connection data (input)

Number of terminals	2 (Reset / ON)	Screwdriver blade	0.6 x 3.5
Conductor cross-section, AWG/kcmil , max.	12 AWG	Conductor cross-section, AWG/kcmil , min.	26 AWG
Wire connection cross section, flexible (input), max.	2.5 mm <sup>2</sup>	Conductor cross-section, flexible , min.	0.14 mm <sup>2</sup>
Conductor cross-section, rigid , max.	2.5 mm <sup>2</sup>	Conductor cross-section, rigid , min.	0.14 mm <sup>2</sup>

### Connection data (output)

Connection system	PUSH IN	Number of terminals	2 (I</ Alarm)
Conductor cross-section, AWG/kcmil , max.	12 AWG	Conductor cross-section, AWG/kcmil , min.	26 AWG
Conductor cross-section, flexible , max.	2.5 mm <sup>2</sup>	Conductor cross-section, flexible , min.	0.14 mm <sup>2</sup>
Conductor cross-section, rigid , max.	2.5 mm <sup>2</sup>	Conductor cross-section, rigid , min.	0.14 mm <sup>2</sup>
Screwdriver blade	0.6 x 3.5		

### Connection data (signal)

Wire connection cross-section, flexible (signal), max. 2.5 mm<sup>2</sup>

### Signalling

Transistor output, positive-switching	Pre-warning, Alarm	LED green	Operation (failure-free), Early warning: I Out > 90% I Rated (flashing)
Red LED	Load monitoring has disconnected, Load monitoring has triggered (flashing), Internal error (rapid flashing)		

### Classifications

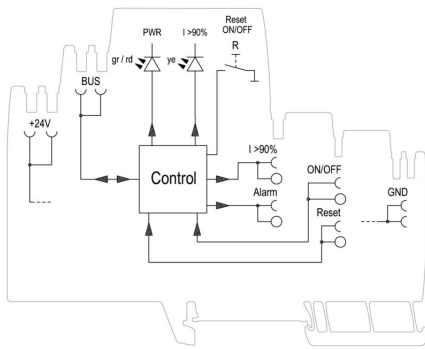
ETIM 8.0	EC003538	ETIM 9.0	EC003538
ETIM 10.0	EC003538	ECLASS 14.0	27-37-10-16
ECLASS 15.0	27-37-10-16		

**AMG CM**

**Weidmüller Interface GmbH & Co. KG**  
Klingenbergstraße 26  
D-32758 Detmold  
Germany

**Drawings**

[www.weidmueller.com](http://www.weidmueller.com)



Schematic circuit diagram