

AMG FIM-C**Weidmüller Interface GmbH & Co. KG**

Klingenbergstraße 26

D-32758 Detmold

Germany

www.weidmueller.com



Similar to illustration

Efficient machine and facility operation calls for fail-safe and maintenance-friendly control voltage distribution that can be installed in a time and space-saving manner.

With the new maxGUARD system, the terminal blocks (previously installed separately) for distributing potential to the outputs of the electronic load monitors become an integral part of a 24 V DC control voltage distribution system.

The innovative combination of load monitoring and potential distribution saves time during installation, increases safety against failure and reduces the amount of space required on the terminal rail by 50%.

General ordering data

| | |
|------------|----------------------------|
| Version | Supply module, 24 V DC |
| Order No. | 2081880000 |
| Type | AMG FIM-C |
| GTIN (EAN) | 4050118419429 |
| Qty. | 1 items |

AMG FIM-C

Weidmüller Interface GmbH & Co. KG

Klingenbergstraße 26

D-32758 Detmold

Germany

www.weidmueller.com

Technical data

Approvals

Approvals



ROHS Conform

UL File Number Search [UL Website](#)

Certificate no. (cULus) E258476

Dimensions and weights

| | | | |
|------------|---------|-----------------|-------------|
| Depth | 96.5 mm | Depth (inches) | 3.7992 inch |
| Height | 125 mm | Height (inches) | 4.9212 inch |
| Width | 12.2 mm | Width (inches) | 0.4803 inch |
| Net weight | 78 g | | |

Temperatures

| | | | |
|----------------------------------|----------------|----------------------------------|----------------|
| Storage temperature | -40 °C...85 °C | Operating temperature | -25 °C...70 °C |
| Continuous operating temp., min. | -25 °C | Continuous operating temp., max. | 70 °C |

Environmental Product Compliance

| | |
|--------------------------------------|--------------------------------------|
| RoHS Compliance Status | Compliant with exemption |
| RoHS Exemption (if applicable/known) | 7a, 7cl |
| REACH SVHC | Lead 7439-92-1 |
| SCIP | a7fff16c-85aa-4fb0-a206-7be03f41b0b7 |

Input

| | | | |
|--|----------|---------------------------------|--------------|
| Connection system | PUSH IN | Rated input voltage | 24 V DC |
| Type of connection | PUSH IN | Nominal current | 40 A |
| Input fuse (internal) | No | DC input voltage range | 18...30 V DC |
| Current consumption (idle) | 20 mA | Current consumption (full load) | 120 mA |
| max. admissible residual ripple at the input | 100 mVpp | | |

Output

| | |
|-------------------|---------|
| Connection system | PUSH IN |
|-------------------|---------|

General data

| | | |
|--------------------------|------------------------------|-----------|
| Protection degree | IP20 | |
| Surge voltage category | III | |
| MTTF | According to Standard | SN 29500 |
| | Operating time (hours), min. | 3996000 h |
| | Ambient temperature | 40 °C |
| | Input voltage | 24 V |
| | Duty cycle | 100 % |
| Conformal coating | No | |
| Power loss, idling | 384 mW | |
| Power loss, nominal load | 500 mW | |
| Control inputs | Reset | |

AMG FIM-C

Weidmüller Interface GmbH & Co. KG

Klingenbergstraße 26
D-32758 Detmold
Germany

www.weidmueller.com

Technical data

Insulation coordination

Surge voltage category III

Connection data (input)

| | | | |
|---|----------------------|---|--------------------|
| Connection system | PUSH IN | Number of terminals | 2 (+,-) |
| Screwdriver blade | 1.2 x 6.5 | Conductor cross-section, AWG/kcmil , max. | 6 AWG |
| Conductor cross-section, AWG/kcmil , min. | 18 AWG | Wire connection cross section, flexible (input), max. | 16 mm ² |
| Conductor cross-section, flexible , min. | 0.75 mm ² | Conductor cross-section, rigid , max. | 10 mm ² |
| Conductor cross-section, rigid , min. | 0.75 mm ² | | |

Connection data (output)

| | | | |
|---|---------------------|---|----------------------|
| Connection system | PUSH IN | Number of terminals | 2 (I</ Alarm) |
| Conductor cross-section, AWG/kcmil , max. | 12 AWG | Conductor cross-section, AWG/kcmil , min. | 26 AWG |
| Conductor cross-section, flexible , max. | 1.5 mm ² | Conductor cross-section, flexible , min. | 0.14 mm ² |
| Conductor cross-section, rigid , max. | 1.5 mm ² | Conductor cross-section, rigid , min. | 0.14 mm ² |
| Screwdriver blade | 0.4 x 2.5 | | |

Connection data (signal)

Wire connection cross-section, flexible (signal), max. 1.5 mm²

Signalling

| | | | |
|---------------------------------------|-------|------------|---|
| Transistor output, positive-switching | Alarm | LED green | Operating voltage OK |
| Red LED | Alarm | Yellow LED | External reset is signalled, Alarm is signalled |

Classifications

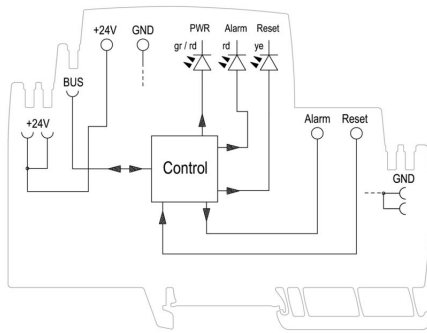
| | | | |
|-------------|-------------|-------------|-------------|
| ETIM 8.0 | EC000897 | ETIM 9.0 | EC000897 |
| ETIM 10.0 | EC000897 | ECLASS 14.0 | 27-25-01-01 |
| ECLASS 15.0 | 27-25-01-01 | | |

AMG FIM-C

Weidmüller Interface GmbH & Co. KG
Klingenbergstraße 26
D-32758 Detmold
Germany

Drawings

www.weidmueller.com



Schematic circuit diagram