

IE-FC-DSP-PWB/2ST/FILS**Weidmüller Interface GmbH & Co. KG**Klingenbergstraße 26
D-32758 Detmold
Germany

www.weidmueller.com



FrontCom® Vario integrates multiple functions in only one single frame. The system is easy to install and you can select from a wide range of data, signal and power modules. In addition to being extremely compact, Front-Com® Vario offers a number of unique product features that will make your project planning and work activities secure, fast and future-proof. Furthermore, the Front-Com® Vario system has an attractive housing design that, by the way, offers highest impact-resistance and fully meets the requirements of IP 65 protection class.

General ordering data

Version	FrontCom, Insert plate, shielded
Order No.	2067080000
Type	IE-FC-DSP-PWB/2ST/FILS
GTIN (EAN)	4050118415612
Qty.	1 items

IE-FC-DSP-PWB/2ST/FILS

Weidmüller Interface GmbH & Co. KG
 Klingenbergstraße 26
 D-32758 Detmold
 Germany

www.weidmueller.com

Technical data

Approvals

Approvals



ROHS	Conform
UL File Number Search	UL Website
Certificate No. (cURus)	E223801

Dimensions and weights

Height	74 mm	Height (inches)	2.9134 inch
Width	116.5 mm	Width (inches)	4.5866 inch
Length	90.5 mm	Length (inches)	3.563 inch
Net weight	54.37 g		

Temperatures

Storage temperature	Operating temperature	-40 °C...70 °C
Installation temperature		

Environmental Product Compliance

RoHS Compliance Status	Compliant without exemption
REACH SVHC	Potassium perfluorobutane sulfonate 29420-49-3
SCIP	8a473a8a-33d4-43 18-8088-c28f019e7f77

General data

Product type	Insert plate, shielded	Material	Polycarbonate PC
--------------	------------------------	----------	------------------

Inserts

Insert RCBO (2 modular width units)	1	Insert suitable for RCBO according to standard	DIN43880
Insert, data	2	Insert Power large	1

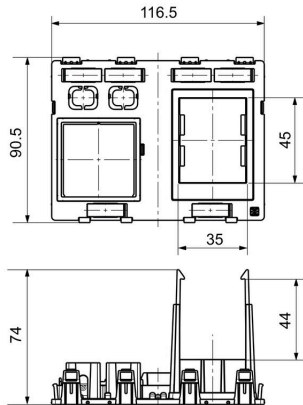
General standards

Certificate No. (cURus)	E223801	Certificate No. (CSA)	2000039-80039714
-------------------------	---------	-----------------------	------------------

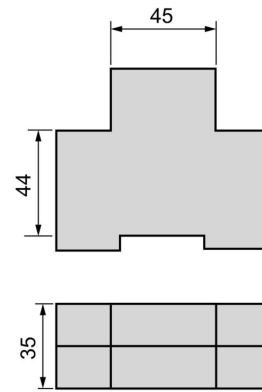
Classifications

ETIM 8.0	EC000456	ETIM 9.0	EC000456
ETIM 10.0	EC000456	ECLASS 14.0	27-18-28-92
ECLASS 15.0	27-18-28-92		

Dimensioned drawing



Detailed drawing



Suitable RCBO for the RCBO cut-out has the dimensions in the drawing (acc. to DIN 43880).
Every RCBO with this dimension will fit.

IE-FC-DSP-PWB/2ST/FILS

Weidmüller Interface GmbH & Co. KG

Klingenbergstraße 26

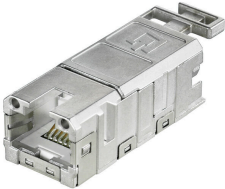
D-32758 Detmold

Germany

www.weidmueller.com

Accessories

RJ45



FrontCom® Vario integrates multiple functions in only one single frame. The system is easy to install and you can select from a wide range of data, signal and power modules. In addition to being extremely compact, FrontCom® Vario offers a number of unique product features that will make your project planning and work activities secure, fast and future-proof. Furthermore, the FrontCom® Vario system has an attractive housing design that, by the way, offers highest impact-resistance and fully meets the requirements of IP 65 protection class.

General ordering data

Type	IE-BI-RJ45-FJ-A	Version
Order No.	1962850000	RJ45 insert socket, Connector for base, TIA-568A
GTIN (EAN)	4032248645053	
Qty.	10 ST	
Type	IE-BI-RJ45-FJ-B	Version
Order No.	1963840000	RJ45 insert socket, Connector for base, TIA-568B
GTIN (EAN)	4032248651894	
Qty.	10 ST	
Type	IE-BI-RJ45-FJ-P	Version
Order No.	1963830000	RJ45 insert socket, Connector for base, PROFINET
GTIN (EAN)	4032248646159	
Qty.	10 ST	
Type	IE-BI-RJ45-C	Version
Order No.	1962840000	RJ45 insert socket, Bulkhead inserts coupler
GTIN (EAN)	4032248645046	
Qty.	10 ST	

USB



FrontCom® Vario integrates multiple functions in only one single frame. The system is easy to install and you can select from a wide range of data, signal and power modules. In addition to being extremely compact, FrontCom® Vario offers a number of unique product features that will make your project planning and work activities secure, fast and future-proof. Furthermore, the FrontCom® Vario system has an attractive housing design that, by the way, offers highest impact-resistance and fully meets the requirements of IP 65 protection class.

General ordering data

Type	IE-BI-USB-A	Version
Order No.	1019570000	USB insert, Flange insert, type A
GTIN (EAN)	4032248731602	
Qty.	1 ST	
Type	IE-BI-USB-AB	Version
Order No.	1131380000	USB insert, Flange insert, type AB
GTIN (EAN)	4032248911844	
Qty.	1 ST	

IE-FC-DSP-PWB/2ST/FILS

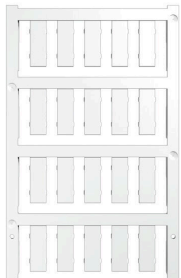
Weidmüller Interface GmbH & Co. KG
 Klingenbergstraße 26
 D-32758 Detmold
 Germany

www.weidmueller.com

Accessories

Type	IE-BI-USB-3.0-A	Version	
Order No.	1487920000	USB insert, Flange insert, type A	
GTIN (EAN)	4050118298208		
Qty.	1 ST		

Blank



ESG is the tried-and-tested marker in MultiCard format for use on many well-known electrical devices. The result is high-quality device marking with a high-contrast appearance.

Various types are available for devices from manufacturers like Siemens, ABB, Beckhoff etc.

Advantages at a glance:

- Tags for universal usage, self-adhesive or clip-on tags, depending on type
- For aligned equipment, e.g. circuit breakers, we supply ESG markers for clipping onto tag rails
- Individual laser-quality printing according to specifications

For custom printing: Please send us a file of our labeling software M-Print PRO or M-Print PRO Online (without installation) for your labeling specifications.

General ordering data

Type	ESG 7/20 SIRIUS MC NE WS	Version	
Order No.	1736181044	ESG, Device markers x 20 mm, PA 66, Colour: white, pluggable	
GTIN (EAN)	4008190985950		
Qty.	200 ST		

Slotted screwdriver



Slotted screwdriver with rounded blade SD DIN 5265, ISO 2380/2, output to DIN 5264, ISO 2380/1. ChromTop tip, SoftFinish grip

General ordering data

Type	SDS 0.4X2.5X75	Version	
Order No.	9009030000	Screwdriver, Screwdriver	
GTIN (EAN)	4032248266944		
Qty.	1 ST		