

**IE-FC-DSP-PWB/2ST/FILS****Weidmüller Interface GmbH & Co. KG**

Klingenbergstraße 26

D-32758 Detmold

Germany

www.weidmueller.com



FrontCom® Vario integrates multiple functions in only one single frame. The system is easy to install and you can select from a wide range of data, signal and power modules. In addition to being extremely compact, FrontCom® Vario offers a number of unique product features that will make your project planning and work activities secure, fast and future-proof. Furthermore, the FrontCom® Vario system has an attractive housing design that, by the way, offers highest impact-resistance and fully meets the requirements of IP 65 protection class.

**General ordering data**

Version	FrontCom, Insert plate, shielded
Order No.	<a href="#">2067080000</a>
Type	IE-FC-DSP-PWB/2ST/FILS
GTIN (EAN)	4050118415612
Qty.	1 items

## IE-FC-DSP-PWB/2ST/FILS

**Weidmüller Interface GmbH & Co. KG**  
 Klingenbergstraße 26  
 D-32758 Detmold  
 Germany

www.weidmueller.com

## Technical data

## Approvals

Approvals



ROHS Conform

UL File Number Search [UL Website](#)

Certificate No. (cURus) E223801

## Dimensions and weights

Height	74 mm	Height (inches)	2.9134 inch
Width	116.5 mm	Width (inches)	4.5866 inch
Length	90.5 mm	Length (inches)	3.563 inch
Net weight	54.37 g		

## Temperatures

Storage temperature	Operating temperature	-40 °C...70 °C
Installation temperature		

## Environmental Product Compliance

RoHS Compliance Status	Compliant without exemption
REACH SVHC	Potassium perfluorobutane sulfonate 29420-49-3
SCIP	8a473a8a-33d4-43 18-8088-c28f019e7f77

## General data

Product type	Insert plate, shielded	Material	Polycarbonate PC
--------------	------------------------	----------	------------------

## Inserts

Insert RCBO (2 modular width units)	1	Insert suitable for RCBO according to standard	DIN43880
Insert, data	2	Insert Power large	1

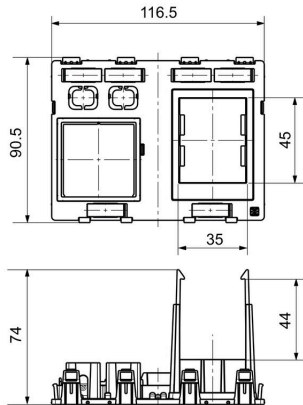
## General standards

Certificate No. (cURus)	E223801	Certificate No. (CSA)	2000039-80039714
-------------------------	---------	-----------------------	------------------

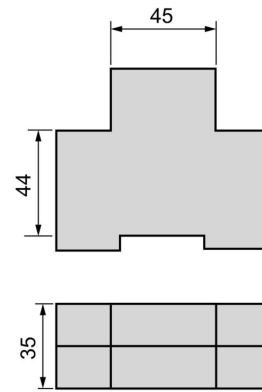
## Classifications

ETIM 8.0	EC000456	ETIM 9.0	EC000456
ETIM 10.0	EC000456	ECLASS 14.0	27-18-28-92
ECLASS 15.0	27-18-28-92		

**Dimensioned drawing**



**Detailed drawing**



Suitable RCBO for the RCBO cut-out has the dimensions in the drawing (acc. to DIN 43880).  
Every RCBO with this dimension will fit.

