

IE-FC-DIP-PWB/2ST/FILS**Weidmüller Interface GmbH & Co. KG**Klingenbergstraße 26
D-32758 Detmold
Germany

www.weidmueller.com



FrontCom® Vario integrates multiple functions in only one single frame. The system is easy to install and you can select from a wide range of data, signal and power modules. In addition to being extremely compact, Front-Com® Vario offers a number of unique product features that will make your project planning and work activities secure, fast and future-proof. Furthermore, the Front-Com® Vario system has an attractive housing design that, by the way, offers highest impact-resistance and fully meets the requirements of IP 65 protection class.

General ordering data

Version	FrontCom, Insert plate, unshielded
Order No.	2067070000
Type	IE-FC-DIP-PWB/2ST/FILS
GTIN (EAN)	4050118415605
Qty.	1 items

IE-FC-DIP-PWB/2ST/FILS

Weidmüller Interface GmbH & Co. KG
 Klingenbergstraße 26
 D-32758 Detmold
 Germany

www.weidmueller.com

Technical data

Approvals

Approvals



ROHS Conform

UL File Number Search [UL Website](#)

Certificate No. (cURus) E223801

Dimensions and weights

Height	74 mm	Height (inches)	2.9134 inch
Width	116.5 mm	Width (inches)	4.5866 inch
Length	90.5 mm	Length (inches)	3.563 inch
Net weight	52.38 g		

Temperatures

Storage temperature	Operating temperature	-40 °C...70 °C
Installation temperature		

Environmental Product Compliance

RoHS Compliance Status	Compliant without exemption
REACH SVHC	Potassium perfluorobutane sulfonate 29420-49-3
SCIP	8a473a8a-33d4-43 18-8088-c28f019e7f77

General data

Product type	Insert plate, unshielded	Material	Polycarbonate PC
--------------	--------------------------	----------	------------------

Inserts

Insert RCBO (2 modular width units)	1	Insert suitable for RCBO according to standard	DIN43880
Insert, data	2	Insert Power large	1

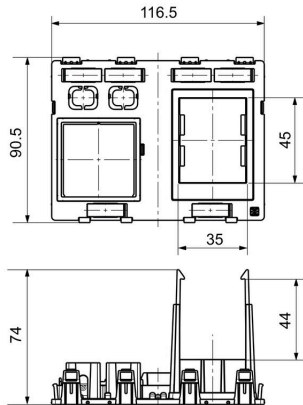
General standards

Certificate No. (cURus)	E223801	Certificate No. (CSA)	2000039-80039714
-------------------------	---------	-----------------------	------------------

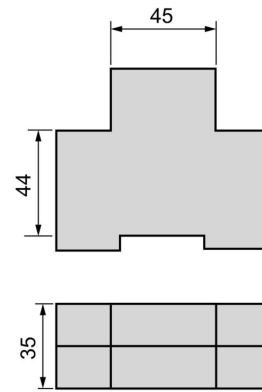
Classifications

ETIM 8.0	EC000456	ETIM 9.0	EC000456
ETIM 10.0	EC000456	ECLASS 14.0	27-18-28-92
ECLASS 15.0	27-18-28-92		

Dimensioned drawing



Detailed drawing



Suitable RCBO for the RCBO cut-out has the dimensions in the drawing (acc. to DIN 43880).
Every RCBO with this dimension will fit.

