

SAIE-M12B-5-0.2V-HW-M16

Weidmüller Interface GmbH & Co. KG
Klingenbergstraße 26
D-32758 Detmold
Germany

www.weidmueller.com

Product image, Similar to illustration

Various build-in connectors are required for the connections on the device side of the sensor/actuator cabling. These are available in the versions M12, M8 and M5.

General ordering data

Version	Built-in plugs, M12, Female socket, straight, Mounting thread: M 16 x 1.5, Number of poles: 5, Strand / cable length: 0.2 m, Rear panel mounting
Order No.	2036550000
Type	SAIE-M12B-5-0.2V-HW-M16
GTIN (EAN)	4050118408300
Qty.	1 items

SAIE-M12B-5-0.2V-HW-M16

Weidmüller Interface GmbH & Co. KG
Klingenbergstraße 26
D-32758 Detmold
Germany

www.weidmueller.com

Technical data

Approvals

ROHS	Conform
------	---------

Dimensions and weights

Net weight	20 g
------------	------

Environmental Product Compliance

RoHS Compliance Status	Compliant
REACH SVHC	Lead 7439-92-1
SCIP	ebf89fc8-a87f-4691-b87a-dfb9921774b4

Technical specifications for cable

Core cross-section	0.75 mm ²	Strand / cable length	0.2 m
Colour coding	brown, white, blue, black, grey, Green/yellow	Number of poles	5

Technical data customisable plug-in connectors

Number of poles	5	Coding	A-coded
Contact surface	Gold-plated	Housing main material	Zinc diecast
Nominal voltage	60 V	Nominal current	4 A
Protection degree	IP67, when screwed in	Pollution severity	3
Temperature range of housing	-30...+90 °C		

Standards

Connector standard	IEC 61076-2-101
--------------------	-----------------

General data

Number of poles	5
Coding	A-coded
Connection thread	M12
Contact surface	Gold-plated
Tightening torque	1 Nm
Core cross-section	0.75 mm ²
Housing main material	Zinc diecast
Type of mounting	Rear panel mounting
Nominal voltage	60 V
Nominal current	4 A
AF size	19 mm
Protection degree	IP67, when screwed in
Pollution severity	3
Connection 1	M12
Connection 2	Flying wires
Strand / cable length	0.2 m
Mounting thread	M 16 x 1.5
Mounting torque range	2 Nm
Mounting torque	max. 2 Nm
Temperature range of housing	-30...+90 °C
Conductor O.D.	-

SAIE-M12B-5-0.2V-HW-M16

Weidmüller Interface GmbH & Co. KG
Klingenbergstraße 26
D-32758 Detmold
Germany

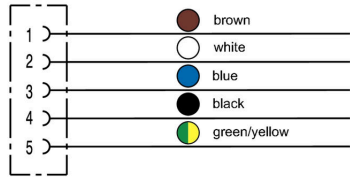
www.weidmueller.com

Technical data

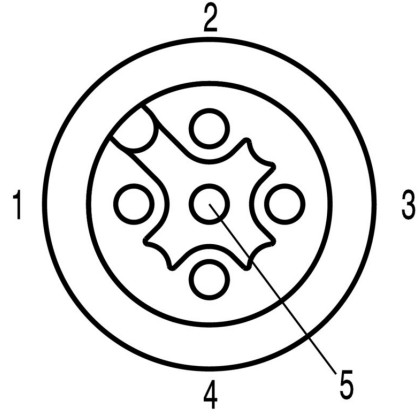
Classifications

ETIM 8.0	EC003570	ETIM 9.0	EC003570
ETIM 10.0	EC003570	ECLASS 14.0	27-44-01-03
ECLASS 15.0	27-44-01-03		

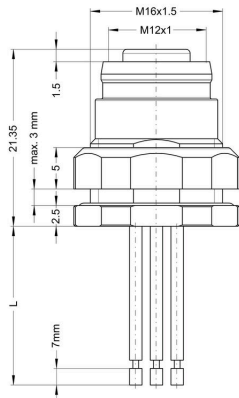
Wiring diagram



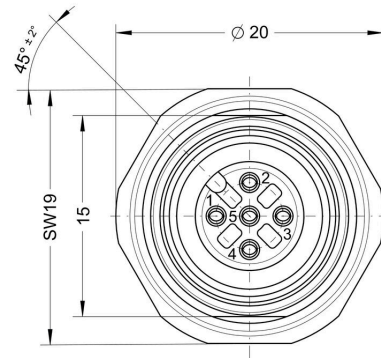
Pole scheme



Dimensioned drawing



Dimensioned drawing



Detailed drawing

