

## SAIEND CAN-M12B 5P A-COD

**Weidmüller Interface GmbH & Co. KG**  
Klingenbergstraße 26  
D-32758 Detmold  
Germany

[www.weidmueller.com](http://www.weidmueller.com)



Weidmüller offers a wide range of tools and accessories for sensor-actuator cabling.

### General ordering data

Version	Protected component assemblies, SAI Active, Accessories, Sensor/Actuator plug-in connector
Order No.	<a href="#">2018050000</a>
Type	SAIEND CAN-M12B 5P A-COD
GTIN (EAN)	4050118401448
Qty.	1 items

**SAIEND CAN-M12B 5P A-COD**

**Weidmüller Interface GmbH & Co. KG**  
 Klingenbergstraße 26  
 D-32758 Detmold  
 Germany

www.weidmueller.com

**Technical data**

**Approvals**

Approvals



ROHS Conform

**Dimensions and weights**

Net weight 8.8 g

**Temperatures**

Storage temperature Operating temperature

**Environmental Product Compliance**

RoHS Compliance Status Compliant with exemption  
 RoHS Exemption (if applicable/known) 6c  
 REACH SVHC Lead 7439-92-1  
 SCIP 1c533b66-fcff-4da5-b89f-fd55fbf5cb55

**Technical specifications for cable**

Number of poles 5

**General technical data**

Coding	A-coded	Connection thread	M12
Version	Socket connector, straight	Nominal voltage	60 V

**Electrical properties**

Nominal voltage 60 V

**Classifications**

ETIM 8.0	EC002925	ETIM 9.0	EC002925
ETIM 10.0	EC002925	ECLASS 14.0	27-44-01-06
ECLASS 15.0	27-44-01-06		

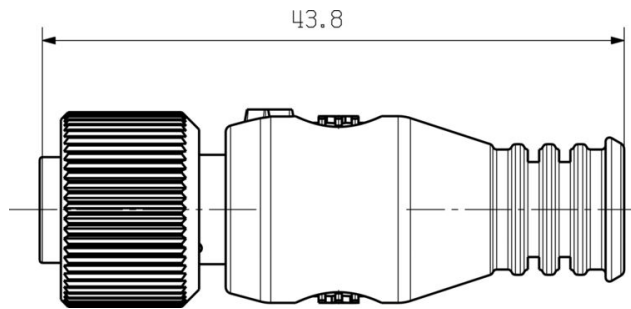
**SAIEND CAN-M12B 5P A-COD**

**Weidmüller Interface GmbH & Co. KG**  
Klingenbergstraße 26  
D-32758 Detmold  
Germany

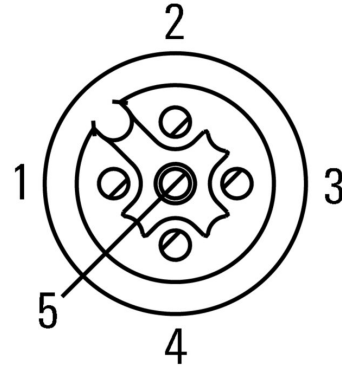
[www.weidmueller.com](http://www.weidmueller.com)

**Drawings**

**Dimensioned drawing**



**Pole scheme**



**Wiring diagram**

