

IE-PS-M12X-P-AWG22/27FH**Weidmüller Interface GmbH & Co. KG**

Klingenbergstraße 26

D-32758 Detmold

Germany

www.weidmueller.com



Individual cable lengths are often required nowadays. In order to meet these demands, Weidmüller offers a wide range of plug-in connectors for custom assembly. Male plugs and female socket for customisable assembly for M8, M12, M16 and 7/8" connections which are highly robust and ideally suited to machine engineering, for instance. The M12 plug-in connectors offer a choice of 5 different connection systems. The IDC is simple and quick to assemble since this technology allows the conductor to be inserted directly into the terminal point, without crimping or having to strip the insulation. It also has excellent functional security.

General ordering data

Version	Plugs prefabricated to customer spec., M12, IDC, Cat.6A / Class EA (ISO/IEC 11801 2010), IP67 plugged
Order No.	2007500000
Type	IE-PS-M12X-P-AWG22/27FH
GTIN (EAN)	4050118392937
Qty.	1 items

IE-PS-M12X-P-AWG22/27FH

Weidmüller Interface GmbH & Co. KG

Klingenbergstraße 26

D-32758 Detmold

Germany

www.weidmueller.com

Technical data

Approvals

Approvals



ROHS Conform

UL File Number Search [UL Website](#)

Certificate no. (cULus) E471884

Dimensions and weights

Diameter	20 mm	Net weight	66 g
----------	-------	------------	------

Temperatures

Storage temperature	Operating temperature	-40 °C...85 °C
---------------------	-----------------------	----------------

Installation temperature

Environmental Product Compliance

RoHS Compliance Status Compliant with exemption

RoHS Exemption (if applicable/known) 6c

REACH SVHC Lead 7439-92-1

SCIP 67cf1078-beca-4687-860b-dc475a6ec24a

Technical data customisable plug-in connectors

Number of poles	8	Coding	X-coded
Contact surface	Gold-plated	LED	No
Type of connection	Crimp connection	Housing main material	Zinc diecast
Insulation resistance	100 MΩ	Cable diameter, max.	9 mm
Cable diameter, min.	5.5 mm	Category	Cat.6A / Class EA (ISO/IEC 11801 2010)
Contact material	Brass, tinned	Conductor cross-section, max.	0.34 mm ²
Conductor cross-section, min.	0.1 mm ²	Nominal voltage	50 V
Nominal current	0.5 A	Protection degree	IP67 plugged
Plugging cycles	≥ 100	Pollution severity	3
Gender of contact	Male	Shield connection	Yes, screwed
Threaded ring material	Nickel-plated CuZn		

General Info

Number of poles	8	Connection 1	M12
Connection 2	IDC	UL 94 flammability rating	V-0
Housing main material	Zinc diecast	Insulation cross-section, min.	0.9 mm
Insulation cross-section, max.	1.6 mm	Category	Cat.6A / Class EA (ISO/IEC 11801 2010)
Connection thread	M12	Contact material	Brass, tinned
Contact surface	Gold-plated	Wire connection diameter, solid, min.	0.51 mm
Connection diameter, solid	0.51...0.64 mm	Wire connection diameter, solid, max.	0.64 mm
Conductor connection cross-section, solid (AWG)	AWG 24/1...AWG 22/1	Wire cross-section, solid, min. (AWG)	AWG 24/1
Connection diameter, flexible	0.46...0.76 mm	Wire cross-section, solid, max. (AWG)	AWG 22/1
Conductor connection cross-section, flexible (AWG)	AWG 27/7...AWG 22/7	Wire connection diameter, flexible, min.	0.46 mm

IE-PS-M12X-P-AWG22/27FH

Weidmüller Interface GmbH & Co. KG

Klingenbergstraße 26
D-32758 Detmold
Germany

www.weidmueller.com

Technical data

Wire connection diameter, flexible, max.	0.76 mm	Wire connection cross section, finely stranded, max.	0.34 mm ²
Wire cross-section, solid, min.	0.34 mm ²	Wire cross-section, solid, max.	0.32 mm ²
Conductor connection cross-section, flexible	...0.34 mm ²	Wire cross-section, finely stranded, min. (AWG)	AWG 27/7
Wire cross-section, finely stranded, max. (AWG)	AWG 22/7	Conductor connection diameter, very finely stranded, min.	0.61 mm
Conductor connection cross-section, extremely flexible	0.61...0.78 mm, Approval of the cable by Weidmüller necessary	Conductor connection diameter, very finely stranded, max.	0.78 mm
Conductor connection cross-section, very finely stranded, min. (AWG)	AWG 26	Conductor connection cross-section, extremely flexible (AWG)	AWG 26...AWG 22, Approval of the cable by Weidmüller necessary
Conductor connection cross-section, very finely stranded, max. (AWG)	AWG 22	Note, very finely stranded line connection	Approval of the cable by Weidmüller necessary
Sheath diameter, min.	5.5 mm	Sheath diameter, max.	9 mm
Contact holder materials	PA	Shielding material	Nickel silver
Shielding	360° all-round enclosure	Protection degree	IP67 plugged
Plugging cycles	≥ 100		

Electrical properties

Dielectric strength, contact / shield	≥ 500 V DC	Dielectric strength, contact / contact	≥ 500 V DC
Volume resistance	<10 mΩ	Insulation resistance	100 MΩ
Nominal voltage	50 V	PoE / PoE+	conforming to IEEE 802.3at

General standards

Connector standard	IEC 61076-2-109	Certificate no. (cULus)	E471884
--------------------	-----------------	-------------------------	---------

Standards

Connector standard	IEC 61076-2-109
--------------------	-----------------

Classifications

ETIM 8.0	EC002635	ETIM 9.0	EC002635
ETIM 10.0	EC002635	ECLASS 14.0	27-44-01-16
ECLASS 15.0	27-44-01-16		

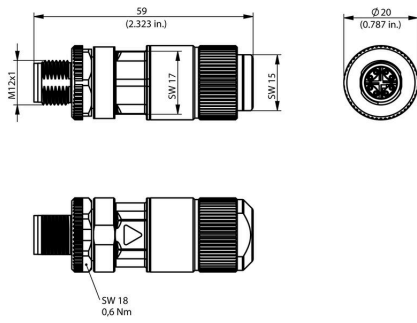
IE-PS-M12X-P-AWG22/27FH

Weidmüller Interface GmbH & Co. KG
Klingenbergstraße 26
D-32758 Detmold
Germany

Drawings

www.weidmueller.com

Drawing



IE-PS-M12X-P-AWG22/27FH

Weidmüller Interface GmbH & Co. KG
 Klingenbergstraße 26
 D-32758 Detmold
 Germany

www.weidmueller.com

Accessories

Screwty® cable gland tool



The ideal tool for any application
 Screwty® is the ideal, all-purpose tool for tightening all common sensor and actuator cables. Even difficult-to-reach round plugs are accessible using the Screwty®. A simple turning movement tightens and loosens the connectors without the need for excessive force. The Screwty® is a unique and global solution since it fits with most cables and plugs from other vendors (over 90 %). The Screwty® consists of a handle with a conventional 1/4" adapter. Thus it can be used for all sizes: for M12 and M8 round plug-in connectors, and for M12F and M8F customisable plugs and sockets, as well as for all M23 plugs and sockets.

General ordering data

Type	SCREWTY SET	Version	
Order No.	1910000000		Cable gland tool for M8, M12 lines and connectors
GTIN (EAN)	4032248436842		
Qty.	1 ST		

Screwty® cable gland tool with torque function



The ideal tool for any application
 Screwty® is the ideal, all-purpose tool for tightening all common sensor and actuator cables. Even difficult-to-reach round plugs are accessible using the Screwty®. A simple turning movement tightens and loosens the connectors without the need for excessive force. The Screwty® is a unique and global solution since it fits with most cables and plugs from other vendors (over 90 %). The Screwty® consists of a handle with a conventional 1/4" adapter. Thus it can be used for all sizes: for M12 and M8 round plug-in connectors, and for M12F and M8F customisable plugs and sockets, as well as for all M23 plugs and sockets.

General ordering data

Type	SCREWTY SET -DM	Version	
Order No.	1920000000		Cable gland tool for M8, M12 lines and connectors
GTIN (EAN)	4032248436859		
Qty.	1 ST		

IE-PS-M12X-P-AWG22/27FH

Weidmüller Interface GmbH & Co. KG
 Klingenbergstraße 26
 D-32758 Detmold
 Germany

www.weidmueller.com

Accessories

Screwty® cable gland tool



The ideal tool for any application
 Screwty® is the ideal, all-purpose tool for tightening all common sensor and actuator cables. Even difficult-to-reach round plugs are accessible using the Screwty®. A simple turning movement tightens and loosens the connectors without the need for excessive force. The Screwty® is a unique and global solution since it fits with most cables and plugs from other vendors (over 90 %). The Screwty® consists of a handle with a conventional 1/4" adapter. Thus it can be used for all sizes: for M12 and M8 round plug-in connectors, and for M12F and M8F customisable plugs and sockets, as well as for all M23 plugs and sockets.

General ordering data

Type	SCREWTY- M12 F	Version	
Order No.	1900020000		Cable gland tool for M12 connectors
GTIN (EAN)	4032248375851		
Qty.	1 ST		

Screwty® cable gland tool with torque function



The ideal tool for any application
 Screwty® is the ideal, all-purpose tool for tightening all common sensor and actuator cables. Even difficult-to-reach round plugs are accessible using the Screwty®. A simple turning movement tightens and loosens the connectors without the need for excessive force. The Screwty® is a unique and global solution since it fits with most cables and plugs from other vendors (over 90 %). The Screwty® consists of a handle with a conventional 1/4" adapter. Thus it can be used for all sizes: for M12 and M8 round plug-in connectors, and for M12F and M8F customisable plugs and sockets, as well as for all M23 plugs and sockets.

General ordering data

Type	SCREWTY-M12 F-DM	Version	
Order No.	1900021000		Cable gland tool for M12 connectors
GTIN (EAN)	4032248436828		
Qty.	1 ST		