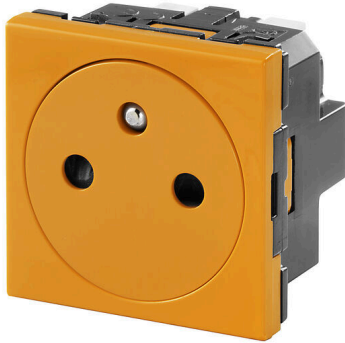


IE-FCI-PWB-FR-OR**Weidmüller Interface GmbH & Co. KG**

Klingenbergstraße 26

D-32758 Detmold

Germany

www.weidmueller.com

FrontCom® Vario integrates multiple functions in only one single frame. The system is easy to install and you can select from a wide range of data, signal and power modules. In addition to being extremely compact, FrontCom® Vario offers a number of unique product features that will make your project planning and work activities secure, fast and future-proof. Furthermore, the FrontCom® Vario system has an attractive housing design that, by the way, offers highest impact-resistance and fully meets the requirements of IP 65 protection class.

General ordering data

Version	FrontCom, Insert Power large, Type E, Socket connector, FR, orange
Order No.	2007230000
Type	IE-FCI-PWB-FR-OR
GTIN (EAN)	4050118392135
Qty.	1 items

IE-FCI-PWB-FR-OR

Weidmüller Interface GmbH & Co. KG

Klingenbergstraße 26

D-32758 Detmold

Germany

www.weidmueller.com

Technical data

Approvals

Approvals



ROHS Conform

Dimensions and weights

Net weight 34 g

Temperatures

Storage temperature -10 °C...70 °C Operating temperature -5 °C...35 °C

Installation temperature

Environmental Product Compliance

RoHS Compliance Status Compliant without exemption

REACH SVHC No SVHC above 0.1 wt%

General data

Protection degree IP20 Insert type Insert Power large
Connector face Type E Fire load 840 kJ

Clampable conductors

Stripping length 12 mm

Type of connection PUSH IN

Conductor connection cross-section, extremely flexible with wire end ferrule
min. 1.5 mm²
max. 1.5 mm²Conductor connection cross-section, extremely flexible without wire end ferrule
min. 1.5 mm²
max. 2.5 mm²Conductor connection cross-section, rigid
min. 1.5 mm²
max. 2.5 mm²Conductor connection cross-section, flexible with wire end ferrule
min. 1.5 mm²
max. 1.5 mm²Conductor connection cross-section, flexible without wire end ferrule 1.5 ... 2.5 mm²Conductor connection cross-section, extremely flexible without wire end ferrule 1.5 ... 2.5 mm²Conductor connection cross-section, rigid 1.5 ... 2.5 mm²Conductor connection cross-section, flexible with wire end ferrule 1.5 ... 1.5 mm²Conductor connection cross-section, flexible without wire end ferrule
min. 1.5 mm²
max. 2.5 mm²Conductor connection cross-section, extremely flexible with wire end ferrule 1.5 ... 1.5 mm²

Technical data

Rated voltage (AC) 250 V Housing main material Polycarbonate PC
Nominal current 16 A

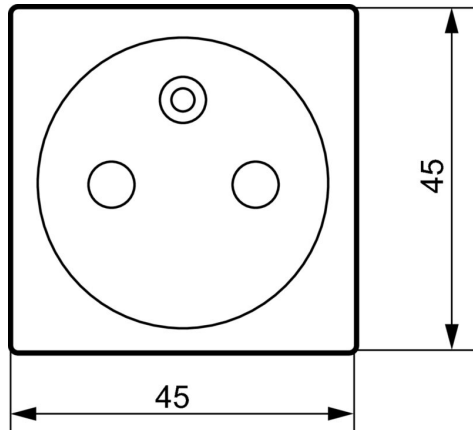
Technical data

www.weidmueller.com

Classifications

ETIM 8.0	EC001121	ETIM 9.0	EC001121
ETIM 10.0	EC001121	ECLASS 14.0	27-18-28-92
ECLASS 15.0	27-18-28-92		

Dimensioned drawing



Dimensioned drawing

