

IE-FC-SFM-CAB**Weidmüller Interface GmbH & Co. KG**

Klingenbergstraße 26

D-32758 Detmold

Germany

www.weidmueller.com



FrontCom® Vario integrates multiple functions in only one single frame. The system is easy to install and you can select from a wide range of data, signal and power modules. In addition to being extremely compact, FrontCom® Vario offers a number of unique product features that will make your project planning and work activities secure, fast and future-proof. Furthermore, the FrontCom® Vario system has an attractive housing design that, by the way, offers highest impact-resistance and fully meets the requirements of IP 65 protection class.

General ordering data

Version	FrontCom, Single frame, Metal cover, Lockable with cabinet key
Order No.	2003160000
Type	IE-FC-SFM-CAB
GTIN (EAN)	4050118387018
Qty.	1 items

Technical data

Approvals

Approvals



ROHS	Conform
UL File Number Search	UL Website
Certificate No. (cURus)	E223801

Dimensions and weights

Depth	27.5 mm	Depth (inches)	1.0827 inch
Height	134 mm	Height (inches)	5.2756 inch
Width	67 mm	Width (inches)	2.6378 inch
Wall thickness, min.	1 mm	Wall thickness, max.	5 mm
Net weight	505 g		

Temperatures

Storage temperature	Operating temperature	-40 °C...70 °C
Installation temperature		

Environmental Product Compliance

RoHS Compliance Status	Compliant without exemption
REACH SVHC	No SVHC above 0.1 wt%

General data

Product type	Single frame, Metal cover, Lockable with cabinet key	Protection degree	IP65, in closed state
Protection class (UL)	Type 12	Material frame	Zinc diecast
Material cover	Zinc diecast, powder-coated		

General standards

Certificate No. (cURus)	E223801	Certificate No. (DNV)	TAA000022B
Certificate No. (CSA)	2000039-80039714		

Classifications

ETIM 8.0	EC001031	ETIM 9.0	EC001031
ETIM 10.0	EC001031	ECLASS 14.0	27-18-28-92
ECLASS 15.0	27-18-28-92		

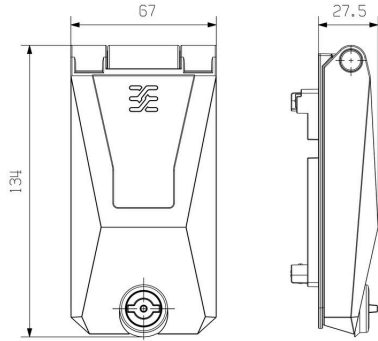
IE-FC-SFM-CAB

Weidmüller Interface GmbH & Co. KG
Klingenbergstraße 26
D-32758 Detmold
Germany

www.weidmueller.com

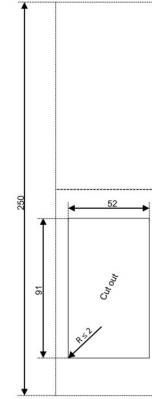
Drawings

Dimensioned drawing



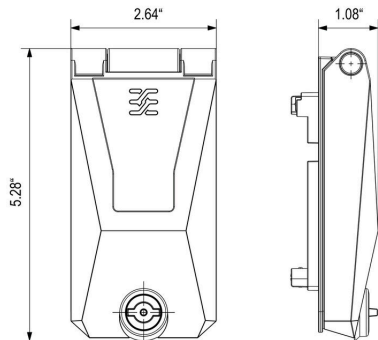
Unit: mm

Installation cut-out



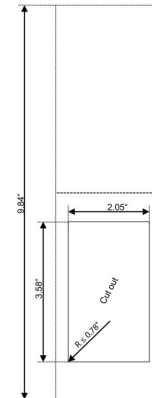
Unit: mm

Dimensioned drawing



Unit: in

Installation cut-out



Unit: in

IE-FC-SFM-CAB

Weidmüller Interface GmbH & Co. KG

Klingenbergstraße 26

D-32758 Detmold

Germany

www.weidmueller.com

Accessories

Accessories for FrontCom Vario



General ordering data

Type	IE-FC-PWPC	Version	
Order No.	1450820000	FrontCom, Touch-safe protection, Single frame	
GTIN (EAN)	4050118255584		
Qty.	1 ST		

Blank, adhesive backing



SM is a MultiCard marker for labelling control and signalling devices. The tags are clipped into the carriers or attached by means of the adhesive film already fitted to them. Customised tags can be created with the PrintJet CONNECT or Plotter marking systems.

- Users can quickly produce tags to suit their needs
- No need to stock expensive standard tags
- Highly resistant printing quality when using the PrintJet as a substitute for engraving
- For extreme demands, we recommend the ETO SM protective film
- Holders can be used for the 22-mm or 30-mm-diameter push-buttons from Siemens, ABB, Moeller and Télémécanique

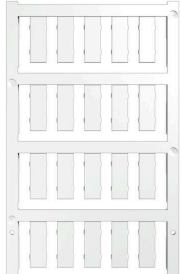
For custom printing: Please send us a file of our labeling software M-Print PRO or M-Print PRO Online (without installation) for your labeling specifications.

General ordering data

Type	SM 27/18 K MC NE WS	Version	
Order No.	1707270000	SwitchMark, Device markers, 18 x 27 mm, white	
GTIN (EAN)	4008190925116		
Qty.	80 ST		
Type	SM 27/18 K MC NE SI	Version	
Order No.	1713760000	SwitchMark, Device markers, 18 x 27 mm, silver	
GTIN (EAN)	4008190331177		
Qty.	80 ST		
Type	SM 27/18 K MC NE GR	Version	
Order No.	1073340000	SwitchMark, Device markers, 18 x 27 mm, grey	
GTIN (EAN)	4032248831425		
Qty.	80 ST		

Accessories

Blank



ESG is the tried-and-tested marker in MultiCard format for use on many well-known electrical devices. The result is high-quality device marking with a high-contrast appearance.

Various types are available for devices from manufacturers like Siemens, ABB, Beckhoff etc.

Advantages at a glance:

- Tags for universal usage, self-adhesive or clip-on tags, depending on type
- For aligned equipment, e.g. circuit breakers, we supply ESG markers for clipping onto tag rails
- Individual laser-quality printing according to specifications

For custom printing: Please send us a file of our labeling software M-Print PRO or M-Print PRO Online (without installation) for your labeling specifications.

General ordering data

Type	ESG 7/20 SIRIUS MC NE WS	Version	
Order No.	1736181044	ESG, Device markers x 20 mm, PA 66, Colour: white, pluggable	
GTIN (EAN)	4008190985950		
Qty.	200 ST		

Slotted screwdriver



Slotted screwdriver with rounded blade SD DIN 5265, ISO 2380/2, output to DIN 5264, ISO 2380/1. ChromTop tip, SoftFinish grip

General ordering data

Type	SDS 0.4X2.5X75	Version	
Order No.	9009030000	Screwdriver, Screwdriver	
GTIN (EAN)	4032248266944		
Qty.	1 ST		

Crosshead screwdriver Pozidriv



Crosshead screwdriver, Pozidriv, SDK PZ DIN 5262, ISO 8764/2-PZ, output to ISO 8764/1-PZ, ChromTop tip, SoftFinish grip

IE-FC-SFM-CAB

Weidmüller Interface GmbH & Co. KG
 Klingenbergstraße 26
 D-32758 Detmold
 Germany

www.weidmueller.com

Accessories

General ordering data

Type	SDK PZ1	Version	
Order No.	9008530000	Screwdriver, Screwdriver	
GTIN (EAN)	4032248056521		
Qty.	1 ST		

Rectangular splitting stamp for frontcom



Weidmüller punching tools should be your first choice for making cut-outs in your electrical cabinets!

- PG cable glands
- M cable glands
- Special cable glands

General ordering data

Type	KOK 52 X 91	Version	
Order No.	2008410000	Sheet holes	
GTIN (EAN)	4050118394177		
Qty.	1 ST		

Tool



- Overpressure valve protects against overloading
- Cylinder head angled at 90°
- Angled head can be rotated through 360°
- Ergonomic handle springs back automatically
- The waste piece no longer becomes jammed thanks to triple splitting
- Hydraulic punch made of high-strength aluminium (approx. 40% weight saving)
- Service life greatly reduced when stainless steel sheets are used

Not suitable for stainless steel!

General ordering data

Type	IE-KO-HAT	Version	
Order No.	1966810000	Sheet holes	
GTIN (EAN)	4032248659630		
Qty.	1 ST		