

IE-FC-SFM-CAB**Weidmüller Interface GmbH & Co. KG**Klingenbergstraße 26
D-32758 Detmold
Germany

www.weidmueller.com



FrontCom® Vario integrates multiple functions in only one single frame. The system is easy to install and you can select from a wide range of data, signal and power modules. In addition to being extremely compact, Front-Com® Vario offers a number of unique product features that will make your project planning and work activities secure, fast and future-proof. Furthermore, the Front-Com® Vario system has an attractive housing design that, by the way, offers highest impact-resistance and fully meets the requirements of IP 65 protection class.

General ordering data

Version	FrontCom, Single frame, Metal cover, Lockable with cabinet key
Order No.	2003160000
Type	IE-FC-SFM-CAB
GTIN (EAN)	4050118387018
Qty.	1 items

Technical data

Approvals

Approvals



ROHS Conform

UL File Number Search [UL Website](#)

Certificate No. (cURus) E223801

Dimensions and weights

Depth	27.5 mm	Depth (inches)	1.0827 inch
Height	134 mm	Height (inches)	5.2756 inch
Width	67 mm	Width (inches)	2.6378 inch
Wall thickness, min.	1 mm	Wall thickness, max.	5 mm
Net weight	505 g		

Temperatures

Storage temperature	Operating temperature	-40 °C...70 °C
Installation temperature		

Environmental Product Compliance

RoHS Compliance Status	Compliant without exemption
REACH SVHC	No SVHC above 0.1 wt%

General data

Product type	Single frame, Metal cover, Lockable with cabinet key	Protection degree	IP65, in closed state
Protection class (UL)	Type 12	Material frame	Zinc diecast
Material cover	Zinc diecast, powder-coated		

General standards

Certificate No. (cURus)	E223801	Certificate No. (DNV)	TAA000022B
Certificate No. (CSA)	2000039-80039714		

Classifications

ETIM 8.0	EC001031	ETIM 9.0	EC001031
ETIM 10.0	EC001031	ECLASS 14.0	27-18-28-92
ECLASS 15.0	27-18-28-92		

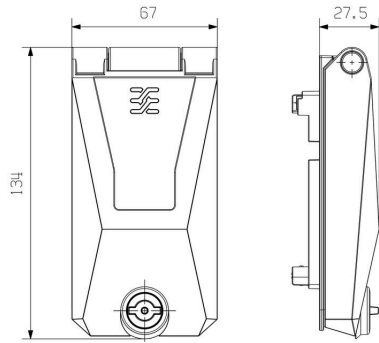
IE-FC-SFM-CAB

Weidmüller Interface GmbH & Co. KG
Klingenbergstraße 26
D-32758 Detmold
Germany

www.weidmueller.com

Drawings

Dimensioned drawing



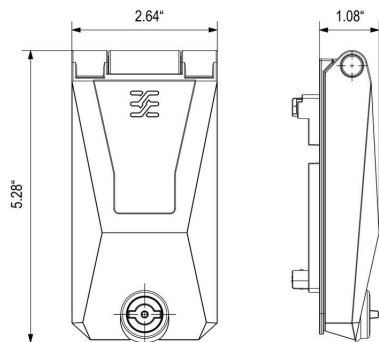
Unit: mm

Installation cut-out



Unit: mm

Dimensioned drawing



Unit: in

Installation cut-out



Unit: in