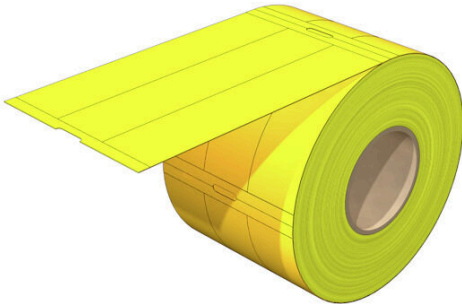


THM ET S7 1500 GE**Weidmüller Interface GmbH & Co. KG**Klingenbergstraße 26
D-32758 Detmold
Germany

www.weidmueller.com



THM ET S7 non-adhesive, roll-packaged labels are used to label the SIMATIC ET 200S and S7-modules from Siemens.

The M-Print® PRO software can be used to individually print the THM ET S7 labels with a THM printer. Labels can be easily separated. The THM MultiMark printer ensures highly-resistant printing.

General ordering data

| | |
|------------|-------------------------------------------------------|
| Version | THM, Device markers, 108.8 x 22.9 mm, Siemens, yellow |
| Order No. | 1991670000 |
| Type | THM ET S7 1500 GE |
| GTIN (EAN) | 4050118376326 |
| Qty. | 500 items |

THM ET S7 1500 GE

Weidmüller Interface GmbH & Co. KG
 Klingenbergstraße 26
 D-32758 Detmold
 Germany

www.weidmueller.com

Technical data

Approvals

| | |
|------|---------|
| ROHS | Conform |
|------|---------|

Dimensions and weights

| | | | |
|------------|----------|-----------------|-------------|
| Depth | 0.08 mm | Depth (inches) | 0.0031 inch |
| Height | 108.8 mm | Height (inches) | 4.2835 inch |
| Width | 22.9 mm | Width (inches) | 0.9016 inch |
| Net weight | 0.68 g | | |

Temperatures

| | |
|-----------------------------|--------------|
| Operating temperature range | -50...100 °C |
|-----------------------------|--------------|

Environmental Product Compliance

| | |
|------------------------|-----------------------------|
| RoHS Compliance Status | Compliant without exemption |
| REACH SVHC | No SVHC above 0.1 wt% |

General data

| | | |
|--------------------------------------|--------------------------------------------------------------------|------------|
| Printing method | Thermal transfer | |
| Version | halogen-free | |
| Width | 22.9 mm | |
| UL 94 flammability rating | HB | |
| Operating temperature range, max. | 100 °C | |
| Operating temperature range, min. | -50 °C | |
| Colour | yellow | |
| Halogen | No | |
| Basic material | Polypropylene | |
| Printed characters | without | |
| Number of markers per packaging unit | Form of supply | Label reel |
| Approval acc. to UL 969 | No | |
| compatible printer | THM MULTIMARK , THM MULTIMARK PLUS | |
| Number of markers per combination | 1 Label reel = Device markers | |
| Operating temperature range | -50...100 °C | |
| Application/manufacturer | Siemens | |
| Number per roll | 500 | |

Device markers

| | |
|---------|----|
| Halogen | No |
|---------|----|

Classifications

| | | | |
|-------------|-------------|-------------|-------------|
| ETIM 8.0 | EC001288 | ETIM 9.0 | EC001288 |
| ETIM 10.0 | EC001288 | ECLASS 14.0 | 27-28-11-04 |
| ECLASS 15.0 | 27-28-11-04 | | |

THM ET S7 1500 GE

Weidmüller Interface GmbH & Co. KG
Klingenbergstraße 26
D-32758 Detmold
Germany

www.weidmueller.com

Accessories

Ink ribbons



These printers produce excellent printing results thanks to the thermal transfer technique. Different materials and the user-friendly printing system under Windows optimise marking efforts.

General ordering data

| | | | |
|------------|----------------------------|------------|--|
| Type | RIBBON MM 110/360 SW | Version | |
| Order No. | 2005070000 | Ink ribbon | |
| GTIN (EAN) | 4050118390049 | | |
| Qty. | 1 ST | | |