

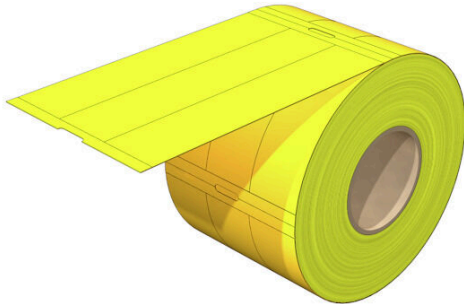
THM ET S7 1500 GE**Weidmüller Interface GmbH & Co. KG**

Klingenbergstraße 26

D-32758 Detmold

Germany

www.weidmueller.com



THM ET S7 non-adhesive, roll-packaged labels are used to label the SIMATIC ET 200S and S7-modules from Siemens.

The M-Print® PRO software can be used to individually print the THM ET S7 labels with a THM printer. Labels can be easily separated. The THM MultiMark printer ensures highly-resistant printing.

General ordering data

Version	THM, Device markers, 108.8 x 22.9 mm, Siemens, yellow
Order No.	1991670000
Type	THM ET S7 1500 GE
GTIN (EAN)	4050118376326
Qty.	500 items

THM ET S7 1500 GE

Weidmüller Interface GmbH & Co. KG
Klingenbergstraße 26
D-32758 Detmold
Germany

www.weidmueller.com

Technical data

Approvals

ROHS	Conform
------	---------

Dimensions and weights

Depth	0.08 mm	Depth (inches)	0.0031 inch
Height	108.8 mm	Height (inches)	4.2835 inch
Width	22.9 mm	Width (inches)	0.9016 inch
Net weight	0.68 g		

Temperatures

Operating temperature range	-50...100 °C
-----------------------------	--------------

Environmental Product Compliance

RoHS Compliance Status	Compliant without exemption
REACH SVHC	No SVHC above 0.1 wt%

General data

Printing method	Thermal transfer	
Version	halogen-free	
Width	22.9 mm	
UL 94 flammability rating	HB	
Operating temperature range, max.	100 °C	
Operating temperature range, min.	-50 °C	
Colour	yellow	
Halogen	No	
Basic material	Polypropylene	
Printed characters	without	
Number of markers per packaging unit	Form of supply	Label reel
Approval acc. to UL 969	No	
compatible printer	THM MULTIMARK , THM MULTIMARK PLUS	
Number of markers per combination	1 Label reel = Device markers	
Operating temperature range	-50...100 °C	
Application/manufacture	Siemens	
Number per roll	500	

Device markers

Halogen	No
---------	----

Classifications

ETIM 8.0	EC001288	ETIM 9.0	EC001288
ETIM 10.0	EC001288	ECLASS 14.0	27-28-11-04
ECLASS 15.0	27-28-11-04		