

SAI-4-M-4P-M12-SVV-A01

Weidmüller Interface GmbH & Co. KG
Klingenbergstraße 26
D-32758 Detmold
Germany

www.weidmueller.com

Similar to illustration

Your peripheral devices should be supplied with greater power. With our new M12 plug-in connector, more than 250 V and 2 A is possible without problems. The compact A-, K-, L-, S- and T-coded M12 plug-in connectors are designed for the transmission of up to 630 V AC or 60 V DC and 12 A.

General ordering data

Version	Hood version, M12, 48 V, T-coded, LED: Yes, LED initiator: Yes, Wiring type:
Order No.	1989340000
Type	SAI-4-M-4P-M12-SVV-A01
GTIN (EAN)	4050118373905
Qty.	1 items
Delivery status	Discontinued
Last order date	2025-12-30T00:00:00+01:00

SAI-4-M-4P-M12-SVV-A01

Weidmüller Interface GmbH & Co. KG
Klingenbergstraße 26
D-32758 Detmold
Germany

www.weidmueller.com

Technical data

Approvals

Approvals



ROHS	Conform
UL File Number Search	UL Website
Certificate No. (cURus)	E141197

Dimensions and weights

Net weight	100 g
------------	-------

Temperatures

Operating temperature	-
-----------------------	---

Environmental Product Compliance

RoHS Compliance Status	Compliant without exemption
REACH SVHC	No SVHC above 0.1 wt%

Connection data

Conductor O.D., min.	6 mm	Conductor O.D., max.	12 mm
Cable gland	M 20	Clamping range, min.	0.5 mm ²
Clamping range, max.	4 mm ²	Distributor outlet	Hood version

Electrical data

Rated voltage, min.	10 V	Rated voltage, max.	48 V
Max. current-carrying capacity per slot	10 A	Total current	32 A
Current per signal	10 A	Insulation resistance	108 Ω

General technical data

Protection degree	IP68	Plug-in station coding	T-coded
Number of poles	4	Number of contact sockets	4
Connection thread	M12	Pollution severity	3
Fire behaviour	V-0	Plugging cycles	≤ 50
LED	Yes	LED initiator	Yes
LED colour for indicating operation	yellow	LED colour for I/O function	yellow

Material data

Housing main material	Pocan	Material of distributor	Plastic
Housing colour	grey, RAL 7032	Hood sealing material	Viton
Screw socket	Nickel-plated CuZn	Contact material	CuZn
Contact surface	Gold-plated	Contact carrier material	PBT (UL 94 V0)

Technical data cable

Number of poles	4	Conductor O.D., max.	12 mm
Conductor O.D., min.	6 mm	Suitable for cable carriers	No

SAI-4-M-4P-M12-SVV-A01

Weidmüller Interface GmbH & Co. KG
Klingenbergstraße 26
D-32758 Detmold
Germany

www.weidmueller.com

Technical data

Classifications

ETIM 8.0	EC003558	ETIM 9.0	EC003558
ETIM 10.0	EC003558	ECLASS 14.0	27-44-01-11
ECLASS 15.0	27-44-01-11		

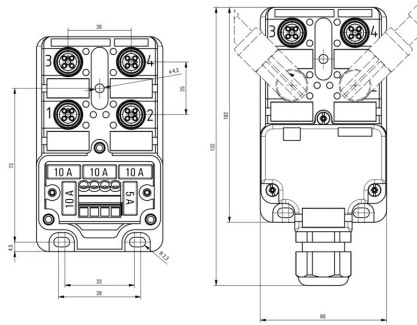
SAI-4-M-4P-M12-SVV-A01

Weidmüller Interface GmbH & Co. KG
Klingenbergstraße 26
D-32758 Detmold
Germany

Drawings

www.weidmueller.com

Dimensioned drawing



Wiring diagram

