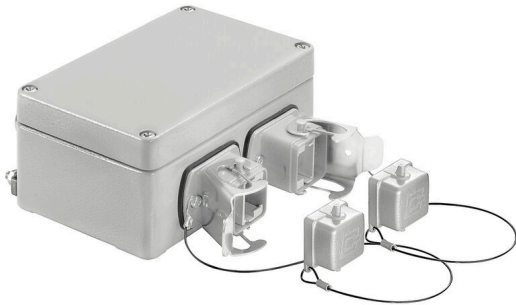


IE-OM-V05M-K21-2S

Weidmüller Interface GmbH & Co. KG
Klingenbergstraße 26
D-32758 Detmold
Germany

www.weidmueller.com



Design for HDC / Rockstar plug-in connectors ver.5
according to IEC 61076-3-106, metal

General ordering data

Version	Junction box, IP67, Variant 5, 2 ports, straight
Order No.	1966290000
Type	IE-OM-V05M-K21-2S
GTIN (EAN)	4032248658480
Qty.	1 items

IE-OM-V05M-K21-2S

Weidmüller Interface GmbH & Co. KG

Klingenbergstraße 26
D-32758 Detmold
Germany

www.weidmueller.com

Technical data

Approvals

ROHS	Conform
------	---------

Dimensions and weights

Depth	57 mm	Depth (inches)	2.2441 inch
Width	136 mm	Width (inches)	5.3543 inch
Length	125 mm	Length (inches)	4.9212 inch
Net weight	643 g		

Temperatures

Storage temperature	Operating temperature	-40 °C...70 °C
Installation temperature		

Environmental Product Compliance

RoHS Compliance Status	Compliant with exemption
RoHS Exemption (if applicable/known)	6c
REACH SVHC	Lead 7439-92-1, Potassium perfluorobutane sulfonate 29420-49-3
SCIP	3767b26f-703a-492e-9234-36e83d1c0725

General data

Colour	grey	Housing main material	AL-Si 12
Type of mounting	Floor-mounted, Wall mounting	Protection degree	IP67
Plugging cycles	750		

General standards

Connector standard	IEC 61076-3-106 Var. 5
--------------------	------------------------

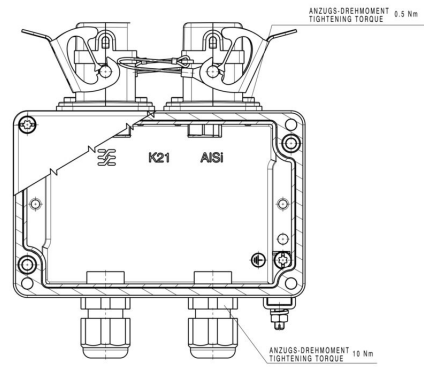
Classifications

ETIM 8.0	EC002597	ETIM 9.0	EC002597
ETIM 10.0	EC002597	ECLASS 14.0	27-44-03-18
ECLASS 15.0	27-44-03-18		

Dimensioned drawing



Drawing



IE-OM-V05M-K21-2S

Weidmüller Interface GmbH & Co. KG

Klingenbergstraße 26

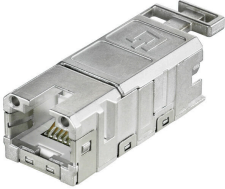
D-32758 Detmold

Germany

www.weidmueller.com

Accessories

RJ45



FrontCom® Vario integrates multiple functions in only one single frame. The system is easy to install and you can select from a wide range of data, signal and power modules. In addition to being extremely compact, FrontCom® Vario offers a number of unique product features that will make your project planning and work activities secure, fast and future-proof. Furthermore, the FrontCom® Vario system has an attractive housing design that, by the way, offers highest impact-resistance and fully meets the requirements of IP 65 protection class.

General ordering data

Type	IE-BI-RJ45-FJ-B	Version
Order No.	1963840000	RJ45 insert socket, Connector for base, TIA-568B
GTIN (EAN)	4032248651894	
Qty.	10 ST	
Type	IE-BI-RJ45-FJ-P	Version
Order No.	1963830000	RJ45 insert socket, Connector for base, PROFINET
GTIN (EAN)	4032248646159	
Qty.	10 ST	
Type	IE-BI-RJ45-FJ-A	Version
Order No.	1962850000	RJ45 insert socket, Connector for base, TIA-568A
GTIN (EAN)	4032248645053	
Qty.	10 ST	

Sets - RJ45



HDC plug-in connector set according to IEC 61076-3-106 ver.5 in metal, with RJ45 insert

General ordering data

Type	IE-PS-V05M-RJ45-FH	Version
Order No.	1963200000	RJ45 plug, no tools required, Variant 5, Cat.6A / Class EA (ISO/IEC 11801 2010)
GTIN (EAN)	4032248651689	
Qty.	10 ST	
Type	IE-PS-V05M-A-RJ45-FH	Version
Order No.	1077300000	RJ45 plug, no tools required, Cat.6A / Class EA (ISO/IEC 11801 2010)
GTIN (EAN)	4032248834914	
Qty.	10 ST	
Type	IE-PS-V05M-RJ45-TH	Version
Order No.	1963110000	RJ45 crimp plug, Variant 5, Cat.6A / Class EA (ISO/IEC 11801 2010)
GTIN (EAN)	4032248651610	
Qty.	10 ST	