

IE-OM-V04P-K21-2S

Weidmüller Interface GmbH & Co. KG
Klingenbergstraße 26
D-32758 Detmold
Germany

www.weidmueller.com



Double junction box, design for PushPull plug-in connectors ver.4 according to IEC 61076-3-106, metal

General ordering data

Version	Junction box, IP67, Variant 4, 2 ports, straight
Order No.	1966250000
Type	IE-OM-V04P-K21-2S
GTIN (EAN)	4032248658442
Qty.	1 items

IE-OM-V04P-K21-2S

Weidmüller Interface GmbH & Co. KG
 Klingenbergstraße 26
 D-32758 Detmold
 Germany

www.weidmueller.com

Technical data

Approvals

ROHS	Conform
------	---------

Dimensions and weights

Depth	57 mm	Depth (inches)	2.2441 inch
Width	136 mm	Width (inches)	5.3543 inch
Length	125 mm	Length (inches)	4.9212 inch
Net weight	475 g		

Temperatures

Storage temperature	Operating temperature	-40 °C...70 °C
Installation temperature		

Environmental Product Compliance

RoHS Compliance Status	Compliant without exemption
REACH SVHC	No SVHC above 0.1 wt%
SCIP	4f3aae94-c2bc-4010-b63b-5b114ba6bd55

General data

Colour	grey	Housing main material	AL-Si 12
Type of mounting	Floor-mounted, Wall mounting	Protection degree	IP67
Plugging cycles	750		

General standards

Connector standard	IEC 61076-3-106 Var. 4
--------------------	------------------------

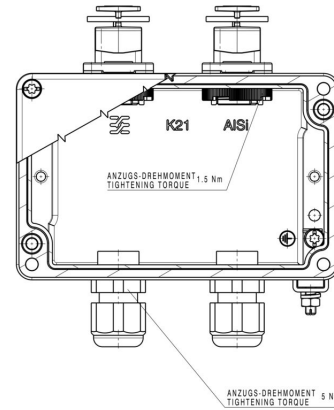
Classifications

ETIM 8.0	EC002597	ETIM 9.0	EC002597
ETIM 10.0	EC002597	ECLASS 14.0	27-44-03-18
ECLASS 15.0	27-44-03-18		

Dimensioned drawing



Drawing



IE-OM-V04P-K21-2S

Weidmüller Interface GmbH & Co. KG

Klingenbergstraße 26

D-32758 Detmold

Germany

www.weidmueller.com

Accessories

RJ45



FrontCom® Vario integrates multiple functions in only one single frame. The system is easy to install and you can select from a wide range of data, signal and power modules. In addition to being extremely compact, FrontCom® Vario offers a number of unique product features that will make your project planning and work activities secure, fast and future-proof. Furthermore, the FrontCom® Vario system has an attractive housing design that, by the way, offers highest impact-resistance and fully meets the requirements of IP 65 protection class.

General ordering data

Type	IE-BI-RJ45-FJ-B	Version
Order No.	1963840000	RJ45 insert socket, Connector for base, TIA-568B
GTIN (EAN)	4032248651894	
Qty.	10 ST	
Type	IE-BI-RJ45-FJ-P	Version
Order No.	1963830000	RJ45 insert socket, Connector for base, PROFINET
GTIN (EAN)	4032248646159	
Qty.	10 ST	
Type	IE-BI-RJ45-FJ-A	Version
Order No.	1962850000	RJ45 insert socket, Connector for base, TIA-568A
GTIN (EAN)	4032248645053	
Qty.	10 ST	

Sets - RJ45

PushPull plug-in connector set according to IEC 61076-3-106 ver.4 (IEC24702), plastic with RJ45 insert



General ordering data

Type	IE-PS-V04P-RJ45-FH	Version
Order No.	1963160000	RJ45 plug, no tools required, Version 4, Cat.6A / Class EA (ISO/IEC 11801 2010)
GTIN (EAN)	4032248651665	
Qty.	10 ST	
Type	IE-PS-V04P-RJ45-TH	Version
Order No.	1963180000	RJ45 crimp plug, Version 4, Cat.6A / Class EA (ISO/IEC 11801 2010)
GTIN (EAN)	4032248653973	
Qty.	10 ST	