

## IE-OM-V04P-K21-2S

**Weidmüller Interface GmbH & Co. KG**  
Klingenbergstraße 26  
D-32758 Detmold  
Germany

[www.weidmueller.com](http://www.weidmueller.com)



Double junction box, design for PushPull plug-in connectors ver.4 according to IEC 61076-3-106, metal

### General ordering data

Version	Junction box, IP67, Variant 4, 2 ports, straight
Order No.	<a href="#">1966250000</a>
Type	IE-OM-V04P-K21-2S
GTIN (EAN)	4032248658442
Qty.	1 items

## IE-OM-V04P-K21-2S

**Weidmüller Interface GmbH & Co. KG**  
 Klingenbergstraße 26  
 D-32758 Detmold  
 Germany

www.weidmueller.com

## Technical data

### Approvals

ROHS	Conform
------	---------

### Dimensions and weights

Depth	57 mm	Depth (inches)	2.2441 inch
Width	136 mm	Width (inches)	5.3543 inch
Length	125 mm	Length (inches)	4.9212 inch
Net weight	475 g		

### Temperatures

Storage temperature	Operating temperature	-40 °C...70 °C
Installation temperature		

### Environmental Product Compliance

RoHS Compliance Status	Compliant without exemption
REACH SVHC	No SVHC above 0.1 wt%

### General data

Colour	grey	Housing main material	AL-Si 12
Type of mounting	Floor-mounted, Wall mounting	Protection degree	IP67
Plugging cycles	750		

### General standards

Connector standard	IEC 61076-3-106 Var. 4
--------------------	------------------------

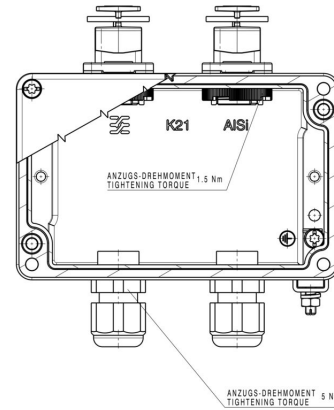
### Classifications

ETIM 8.0	EC002597	ETIM 9.0	EC002597
ETIM 10.0	EC002597	ECLASS 14.0	27-44-03-18
ECLASS 15.0	27-44-03-18		

Dimensioned drawing



Drawing



## IE-OM-V04P-K21-2S

**Weidmüller Interface GmbH & Co. KG**  
 Klingenbergstraße 26  
 D-32758 Detmold  
 Germany

www.weidmueller.com

## Accessories

## RJ45



RJ45 inserts for plug-in connectors ver.1 / 4 / 5 / 14,  
 HDC and junction boxes IE-OM...; IE-OP...; IE-CC...

## General ordering data

Type	IE-BI-RJ45-FJ-B	Version
Order No.	<a href="#">1963840000</a>	RJ45 insert socket, Connector for base, TIA-568B
GTIN (EAN)	4032248651894	
Qty.	10 ST	
Type	IE-BI-RJ45-FJ-P	Version
Order No.	<a href="#">1963830000</a>	RJ45 insert socket, Connector for base, PROFINET
GTIN (EAN)	4032248646159	
Qty.	10 ST	
Type	IE-BI-RJ45-FJ-A	Version
Order No.	<a href="#">1962850000</a>	RJ45 insert socket, Connector for base, TIA-568A
GTIN (EAN)	4032248645053	
Qty.	10 ST	

## Sets - RJ45

PushPull plug-in connector set according to IEC  
 61076-3-106 ver.4 (IEC24702), plastic with RJ45 insert



## General ordering data

Type	IE-PS-V04P-RJ45-FH	Version
Order No.	<a href="#">1963160000</a>	RJ45 plug, no tools required, Version 4, Cat.6A / Class EA (ISO/IEC 11801 2010)
GTIN (EAN)	4032248651665	
Qty.	10 ST	
Type	IE-PS-V04P-RJ45-TH	Version
Order No.	<a href="#">1963180000</a>	RJ45 crimp plug, Version 4, Cat.6A / Class EA (ISO/IEC 11801 2010)
GTIN (EAN)	4032248653973	
Qty.	10 ST	