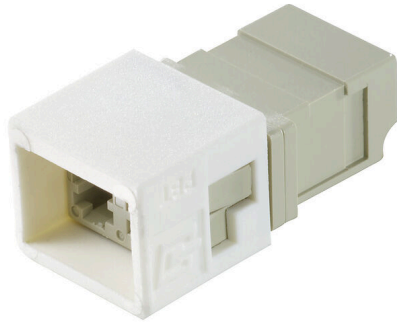


IE-BI-LCD-MM-C

Weidmüller Interface GmbH & Co. KG
Klingenbergstraße 26
D-32758 Detmold
Germany

www.weidmueller.com



FO LC inserts for plug-in connectors ver.1 / 4 / 14

General ordering data

Version	LC insert, Bulkhead insert LC duplex, multimode
Order No.	1964420000
Type	IE-BI-LCD-MM-C
GTIN (EAN)	4032248649037
Qty.	10 items

IE-BI-LCD-MM-C

Weidmüller Interface GmbH & Co. KG
 Klingenbergstraße 26
 D-32758 Detmold
 Germany

www.weidmueller.com

Technical data

Approvals

ROHS Conform

Dimensions and weights

Depth	30 mm	Depth (inches)	1.1811 inch
Height	13.2 mm	Height (inches)	0.5197 inch
Width	15.6 mm	Width (inches)	0.6142 inch
Net weight	8 g		

Temperatures

Storage temperature	Operating temperature	-40 °C...70 °C
Installation temperature	Humidity	0...85 % rel. humidity

Environmental Product Compliance

RoHS Compliance Status	Compliant with exemption
RoHS Exemption (if applicable/known)	6c
REACH SVHC	Lead 7439-92-1
SCIP	d1193a9e-dc7c-484a-ba48-176711eb392b

General data

Description of article	Bulkhead insert LC duplex, multimode	Colour	Miscellaneous
Housing main material	PBT diecast zinc	Humidity	0...85 % rel. humidity
Protection degree	IP67 with housing	Plugging cycles	1000
Composition	Connector and flange insert for variant 1, 4 and 14 housings	Fibre type	Multimode
Insertion loss	≤ 0.4 dB	Connection 1	LC Duplex
Connection 2	LC Duplex	Return loss (attenuation)	≥ 30 dB

General standards

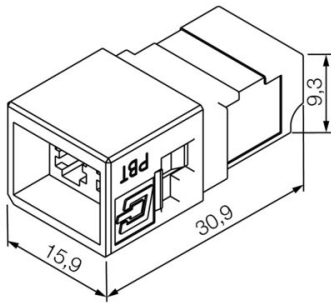
Connector standard IEC 61754-20

Classifications

ETIM 8.0	EC000752	ETIM 9.0	EC000752
ETIM 10.0	EC000752	ECLASS 14.0	19-17-01-16
ECLASS 15.0	19-17-01-16		

Drawings

Dimensioned drawing



Accessories

...for fiber-optic connectors SC, ST & LC



GOF

- For fibre-optic SC/ST, IP 20 and IP 67 connectors
- For fibre-optic LC and IP 67 connectors

POF

- For polymer fibre-optic SC/ST, IP 20 and IP 67 connectors
- For fibre-optic, Profinet and Mobil cable SC/ST and IP 67 connectors

General ordering data

Type	IE-CT-LC-GOF	Version	
Order No.	9205330000	Pressing tool, Hexagonal crimp	
GTIN (EAN)	4032248725465		
Qty.	1 ST		