

IE-BS-V05M-RJ45-C

Weidmüller Interface GmbH & Co. KG
Klingenbergstraße 26
D-32758 Detmold
Germany

www.weidmueller.com



HDC plug-in connector set according to IEC 61076-3-106
ver.5 in metal, with RJ45 insert

General ordering data

| | |
|------------|--|
| Version | Flange RJ45, IP67, Variant 5, RJ45 / RJ45 coupling, Cat.6A / Class EA (ISO/IEC 11801 2010) |
| Order No. | 1963510000 |
| Type | IE-BS-V05M-RJ45-C |
| GTIN (EAN) | 4032248645602 |
| Qty. | 10 items |

Technical data

Approvals

Approvals



| | |
|-------------------------|----------------------------|
| ROHS | Conform |
| UL File Number Search | UL Website |
| Certificate no. (cULus) | E316369 |

Dimensions and weights

| | |
|------------|------|
| Net weight | 60 g |
|------------|------|

Temperatures

| | | |
|--------------------------|-----------------------|----------------|
| Storage temperature | Operating temperature | -40 °C...70 °C |
| Installation temperature | | |

Environmental Product Compliance

| | |
|------------------------|--|
| RoHS Compliance Status | Compliant without exemption |
| REACH SVHC | Potassium perfluorobutane sulfonate 29420-49-3 |
| SCIP | 3767b26f-703a-492e-9234-36e83d1c0725 |

General data

| | | | |
|------------------------|---------------------------------|-----------------|--|
| Connection 1 | RJ45 | Connection 2 | RJ45 |
| Description of article | Variant 5, RJ45 / RJ45 coupling | Seal material | NBR |
| Housing main material | diecast aluminium | Category | Cat.6A / Class EA (ISO/IEC 11801 2010) |
| Contact surface | Gold over nickel | Shielding | 360°; all-round enclosure |
| Protection degree | IP67 | Plugging cycles | 750 |

Electrical properties

| | | | |
|---------------------------------------|----------------|--|----------------|
| Dielectric strength, contact / shield | ≥ 1500 V AC/DC | Dielectric strength, contact / contact | ≥ 1000 V AC/DC |
|---------------------------------------|----------------|--|----------------|

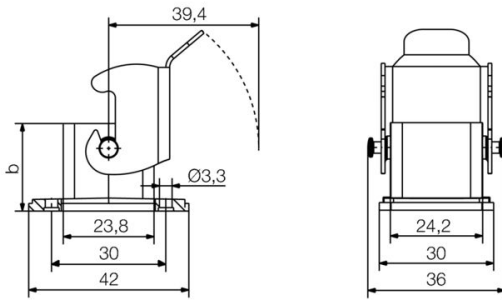
General standards

| | | | |
|--------------------|---|-------------------------|---------|
| Connector standard | IEC 61076-3-106 Var. 5, IEC 60603-7-5 1 | Certificate no. (cULus) | E316369 |
|--------------------|---|-------------------------|---------|

Classifications

| | | | |
|-------------|-------------|-------------|-------------|
| ETIM 8.0 | EC001121 | ETIM 9.0 | EC001121 |
| ETIM 10.0 | EC001121 | ECLASS 14.0 | 27-44-03-90 |
| ECLASS 15.0 | 27-44-03-90 | | |

Dimensioned drawing



IE-BS-V05M-RJ45-C

Weidmüller Interface GmbH & Co. KG
Klingenbergstraße 26
D-32758 Detmold
Germany

www.weidmueller.com

Accessories

Dust caps



For protecting your devices against dust and dirt.

General ordering data

| | | | |
|------------|----------------------------|--|--|
| Type | IE-BP-V05M | Version | |
| Order No. | 1968930000 | Flange-mounted housing, protective cap | |
| GTIN (EAN) | 4032248692125 | | |
| Qty. | 10 ST | | |