

IE-BS-V05M-RJ45-FJ-A

Weidmüller Interface GmbH & Co. KG
Klingenbergstraße 26
D-32758 Detmold
Germany

www.weidmueller.com



HDC plug-in connector set according to IEC 61076-3-106
ver.5 in metal, with RJ45 insert

General ordering data

Version	Flange RJ45, IP67, Variant 5, IDC, EIA/TIA 586 A, Cat.6A / Class EA (ISO/IEC 11801 2010)
Order No.	1963460000
Type	IE-BS-V05M-RJ45-FJ-A
GTIN (EAN)	4032248645558
Qty.	10 items

IE-BS-V05M-RJ45-FJ-A

Weidmüller Interface GmbH & Co. KG
 Klingenbergstraße 26
 D-32758 Detmold
 Germany

www.weidmueller.com

Technical data

Approvals

Approvals



ROHS Conform

UL File Number Search [UL Website](#)

Certificate no. (cULus) E316369

Dimensions and weights

Net weight 60.8 g

Temperatures

Storage temperature Operating temperature -40 °C...70 °C

Installation temperature

Environmental Product Compliance

RoHS Compliance Status Compliant without exemption

REACH SVHC Potassium perfluorobutane sulfonate 29420-49-3

SCIP 3767b26f-703a-492e-9234-36e83d1c0725

General data

Connection 1	RJ45	Connection 2	IDC
Description of article	Variant 5, IDC, EIA/TIA 586 A	Wiring	TIA-568A
Seal material	NBR	Housing main material	diecast aluminium
Insulation cross-section, max.	1.6 mm	Category	Cat.6A / Class EA (ISO/IEC 11801 2010)
Contact surface	Gold over nickel	Connection diameter, solid	0.4...0.64 mm
Conductor connection cross-section, solid (AWG)	AWG 24...AWG 22	Connection diameter, flexible	0.48...0.76 mm
Conductor connection cross-section, flexible (AWG)	AWG 26...AWG 22	Shielding	360°; all-round enclosure
Protection degree	IP67	Plugging cycles	750

Electrical properties

Dielectric strength, contact / shield PoE / PoE+	≥ 1500 V AC/DC conforming to IEEE 802.3bt	Dielectric strength, contact / contact	≥ 1000 V AC/DC
--	---	--	----------------

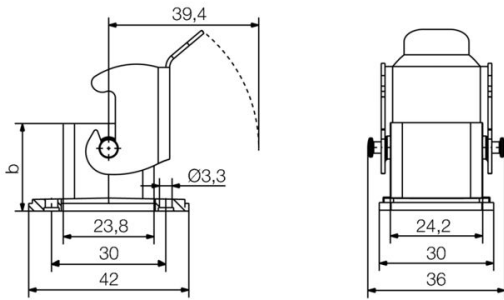
General standards

Connector standard	IEC 61076-3-106 Var. 5, IEC 60603-7-51	Certificate no. (cULus)	E316369
--------------------	--	-------------------------	---------

Classifications

ETIM 8.0	EC001121	ETIM 9.0	EC001121
ETIM 10.0	EC001121	ECLASS 14.0	27-44-03-90
ECLASS 15.0	27-44-03-90		

Dimensioned drawing



IE-BS-V05M-RJ45-FJ-A

Weidmüller Interface GmbH & Co. KG
Klingenbergstraße 26
D-32758 Detmold
Germany

www.weidmueller.com

Accessories

Dust caps



For protecting your devices against dust and dirt.

General ordering data

Type	IE-BP-V05M	Version	
Order No.	1968930000	Flange-mounted housing, protective cap	
GTIN (EAN)	4032248692125		
Qty.	10 ST		