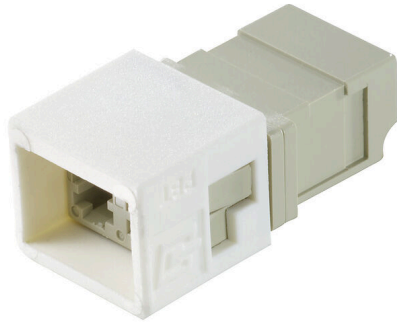


IE-BI-LCD-SM-C

Weidmüller Interface GmbH & Co. KG
Klingenbergstraße 26
D-32758 Detmold
Germany

www.weidmueller.com



FO LC inserts for plug-in connectors ver.1 / 4 / 14

General ordering data

Version	LC insert, Bulkhead insert LC duplex, singlemode
Order No.	1962880000
Type	IE-BI-LCD-SM-C
GTIN (EAN)	4032248645077
Qty.	10 items

IE-BI-LCD-SM-C

Weidmüller Interface GmbH & Co. KG
 Klingenbergstraße 26
 D-32758 Detmold
 Germany

www.weidmueller.com

Technical data

Approvals

ROHS	Conform
------	---------

Dimensions and weights

Depth	30 mm	Depth (inches)	1.1811 inch
Height	13.2 mm	Height (inches)	0.5197 inch
Width	15.6 mm	Width (inches)	0.6142 inch
Net weight	0.79 g		

Temperatures

Storage temperature	Operating temperature	-40 °C...70 °C
Installation temperature	Humidity	0...85 % rel. humidity

Environmental Product Compliance

RoHS Compliance Status	Compliant without exemption
REACH SVHC	No SVHC above 0.1 wt%

General data

Description of article	Bulkhead insert LC duplex, singlemode	Colour	Miscellaneous
Housing main material	PBT diecast zinc	Humidity	0...85 % rel. humidity
Protection degree	IP67 with housing	Plugging cycles	1000
Composition	Connector and flange insert for variant 1, 4 and 14 housings	Fibre type	Singlemode
Insertion loss	≤ 0.5 dB	Connection 1	LC Duplex
Connection 2	LC Duplex	Return loss (attenuation)	≥ 40 dB

General standards

Connector standard	IEC 61754-20
--------------------	--------------

Classifications

ETIM 8.0	EC000752	ETIM 9.0	EC000752
ETIM 10.0	EC000752	ECLASS 14.0	19-17-01-16
ECLASS 15.0	19-17-01-16		

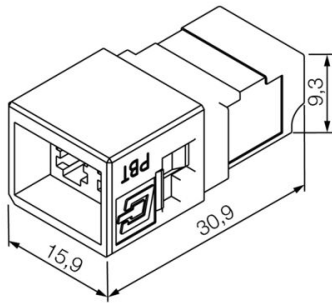
IE-BI-LCD-SM-C

Weidmüller Interface GmbH & Co. KG
Klingenbergstraße 26
D-32758 Detmold
Germany

Drawings

www.weidmueller.com

Dimensioned drawing



Accessories

...for fiber-optic connectors SC, ST & LC



GOF

- For fibre-optic SC/ST, IP 20 and IP 67 connectors
- For fibre-optic LC and IP 67 connectors

POF

- For polymer fibre-optic SC/ST, IP 20 and IP 67 connectors
- For fibre-optic, Profinet and Mobil cable SC/ST and IP 67 connectors

General ordering data

Type	IE-CT-LC-GOF	Version	
Order No.	9205330000	Pressing tool, Hexagonal crimp	
GTIN (EAN)	4032248725465		
Qty.	1 ST		