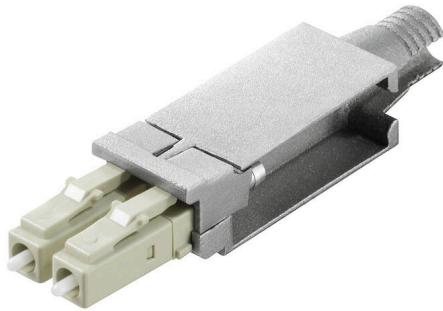


IE-PI-2LC-MM

Weidmüller Interface GmbH & Co. KG
Klingenbergstraße 26
D-32758 Detmold
Germany

www.weidmueller.com



FO LC inserts for plug-in connectors ver.1 / 4 / 14

General ordering data

Version	LC insert, Plug insert 2 LC, multimode
Order No.	1962780000
Type	IE-PI-2LC-MM
GTIN (EAN)	4032248644865
Qty.	10 items
Available until	2025-04-08T00:00:00+02:00

IE-PI-2LC-MM

Weidmüller Interface GmbH & Co. KG

Klingenbergstraße 26

D-32758 Detmold

Germany

www.weidmueller.com

Technical data

Approvals

ROHS	Conform
------	---------

Dimensions and weights

Depth	59 mm	Depth (inches)	2.3228 inch
Height	10.3 mm	Height (inches)	0.4055 inch
Width	13.15 mm	Width (inches)	0.5177 inch
Net weight	15 g		

Temperatures

Storage temperature	Operating temperature	-40 °C...70 °C
Installation temperature	Humidity	0...85 % rel. humidity

Environmental Product Compliance

RoHS Compliance Status	Compliant with exemption
RoHS Exemption (if applicable/known)	6c
REACH SVHC	Lead 7439-92-1
SCIP	67cf1078-beca-4687-860b-dc475a6ec24a

General data

Description of article	Plug insert 2 LC, multimode	Colour	Miscellaneous
Housing main material	PBT diecast zinc	Humidity	0...85 % rel. humidity
Protection degree	IP67 with housing	Plugging cycles	1000
Composition	Connector and flange insert for variant 1, 4 and 14 housings	Fibre type	Multimode
Insertion loss	≤ 0.4 dB	Connection 1	LC
Connection 2	Crimp	Return loss (attenuation)	≥ 30 dB
Ferrule material	Zirconia		

General standards

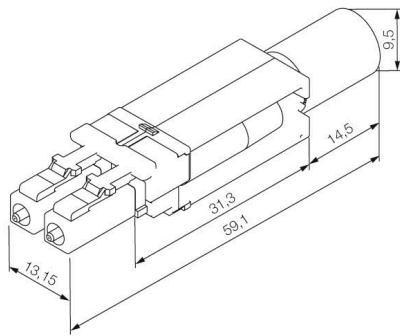
Connector standard	IEC 61754-20
--------------------	--------------

Classifications

ETIM 8.0	EC001122	ETIM 9.0	EC001122
ETIM 10.0	EC001122	ECLASS 14.0	19-17-01-22
ECLASS 15.0	19-17-01-22		

Drawings

Dimensioned drawing



Accessories

...for fiber-optic connectors SC, ST & LC



GOF

- For fibre-optic SC/ST, IP 20 and IP 67 connectors
- For fibre-optic LC and IP 67 connectors

POF

- For polymer fibre-optic SC/ST, IP 20 and IP 67 connectors
- For fibre-optic, Profinet and Mobil cable SC/ST and IP 67 connectors

General ordering data

Type	IE-CT-LC-GOF	Version	
Order No.	9205330000	Pressing tool, Hexagonal crimp	
GTIN (EAN)	4032248725465		
Qty.	1 ST		