

KLIPPON K3 VMO

Weidmüller Interface GmbH & Co. KG

Klingenbergstraße 26
D-32758 Detmold
Germany

www.weidmueller.com



The aluminium Klippon® K enclosures are suitable for use in an extremely wide range of different areas. Various components can be installed inside the enclosures, and will benefit in particular from the high temperature resistance, the excellent IP protection and the good impact resistance.

No matter what kind of application the customer is planning, Weidmüller is able to provide a wide range of aluminium enclosures precisely fitting the customer's requirements.

Klippon® K enclosures for hazardous areas are available on request.

Our extensive product range offers the following advantages:

- Available in two surface finishes: natural and powder-coated (RAL 7001)
 - With chloroprene moulded seal as standard (silicone moulded seal optionally available)
 - Standardised closure system with Torx slotted screw head for 19 enclosure sizes
 - Mounting holes outside of the gasket area
 - High IP protection classes: IP66, IP67 and IP68 according to DIN EN 60529
 - Impact resistance of up to 7 (10) Joules
 - The enclosures are approved according to ATEX, IECEx, cULus, and DNV GL as well as the empty enclosure standard.
- Suitable for railway applications according to EN 45545-2:2013
 - Alloy is resistant to salt water
 - Standardised distributor enclosures with threaded holes and a variety of terminal configurations

General ordering data

Version	Klippon K (aluminium empty enclosure), Empty enclosure, Aluminium enclosure, Height: 70 mm, Width: 165 mm, Depth: 45 mm, Basic material: Aluminium AlSi12, untreated, silver
Order No.	193960000
Type	KLIPPON K3 VMO
GTIN (EAN)	4032248615933
Qty.	5 items

KLIPPON K3 VMO

Weidmüller Interface GmbH & Co. KG
 Klingenbergstraße 26
 D-32758 Detmold
 Germany

www.weidmueller.com

Technical data

Approvals

Approvals



ROHS	Conform
UL File Number Search	UL Website
Certificate no. (cULus)	E197061

Dimensions and weights

Depth	45 mm	Depth (inches)	1.7716 inch
Height	70 mm	Height (inches)	2.7559 inch
Width	165 mm	Width (inches)	6.4961 inch
Mounting dimension - height	42 mm	Mounting dimension - width	153 mm
Net weight	416.8 g		

Temperatures

Operating temperature	-50 °C...135 °C
-----------------------	-----------------

Environmental Product Compliance

RoHS Compliance Status	Compliant without exemption
REACH SVHC	No SVHC above 0.1 wt%

Cable glands, left

M12	1	M16	1
-----	---	-----	---

Cable glands, right

M16	1	M12	1
-----	---	-----	---

Cable glands, top/bottom

M20	4	M12	6
M16	5		

Certificate numbers enclosure

Declaration of Conformity No. (DoC LVD)	DE PS24 10 1604 12 001ISS03	Certificate No. (DNV)	TAE00002SM
Approval conditions	cULus, RMRS, DNV	Certificate no. (cULus)	E197061

General information

Material thickness of cover	3 mm	Material thickness of enclosure	3.5 mm
Operating temperature, max.	135 °C	Operating temperature, min.	-50 °C
Lid attachment	M4 torx stainless steel screws with slot	Standards	EN 45545-2:2013
Surface finish	untreated	Impact resistance	10 J version standard
Protection degree	IP66, IP67, IP68	Basic material	Aluminium AlSi12
Seal material	Silicone	Torque for lid screws	2.5 Nm
Integral fixing	Threaded holes M4	Enclosure attachment	Holes 4 mm
Note: protection class	IP68 (t=72h, h=1m)	Protection class (UL)	Type 4, Type 4X

KLIPPON K3 VMO

Weidmüller Interface GmbH & Co. KG

Klingenbergstraße 26
D-32758 Detmold
Germany

www.weidmueller.com

Technical data

Number of lid screws	4	Access opening: width	158 mm
Unassembled to fit rail	TS15 155 KLIPPON K3 CSS	Flange plate	No
Max. payload	1.16 kg	Lid	Yes
Access opening: height	63 mm	Areas of use	Process industry, Transportation, Marine engineering, Packaging industry, Harbour facilities, Machine construction

horizontal assembly

WDU 2,5 / ZDU 2,5 / IDU 2,5	1x22
-----------------------------	------

vertical assembly

WDU 2,5 / ZDU 2,5 / IDU 2,5	*
-----------------------------	---

Classifications

ETIM 8.0	EC000261	ETIM 9.0	EC000261
ETIM 10.0	EC000261	ECLASS 14.0	27-18-01-01
ECLASS 15.0	27-18-01-01		

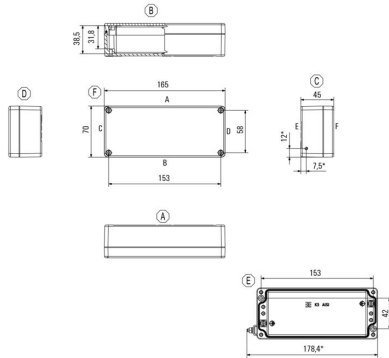
KLIPPON K3 VMO

Weidmüller Interface GmbH & Co. KG
Klingenbergstraße 26
D-32758 Detmold
Germany

Drawings

www.weidmueller.com

Dimensioned drawing



XX* nur für 9528880000

KLIPPON K3 VMO

Weidmüller Interface GmbH & Co. KG
 Klingenbergstraße 26
 D-32758 Detmold
 Germany

www.weidmueller.com

Accessories

TS 15



The system accessories for the Klippon® K enclosure series allows you to easily adapt the enclosures to meet the specific requirements of every application.

- DIN Rails TS 35 and TS 15
- Mounting plates
- Hinges
- Wall-mounted holder

Weidmüller can manufacture and supply this enclosure - according to customer specifications - fitted with all necessary terminals and cable glands.

General ordering data

Type	TS15 155 KLIPPON K3 CSS	Version	
Order No.	1910030000		Rail, TS 15, Width: 155 mm, without slot, Steel, galvanized,
GTIN (EAN)	4032248536948		chromium-plated
Qty.	1 ST		

Klippon® K - Mounting plates



The system accessories for the Klippon® K enclosure series allows you to easily adapt the enclosures to meet the specific requirements of every application.

- DIN Rails TS 35 and TS 15
- Mounting plates
- Hinges
- Wall-mounted holder

Weidmüller can manufacture and supply this enclosure - according to customer specifications - fitted with all necessary terminals and cable glands.

General ordering data

Type	MOPL K3 NT FE	Version	
Order No.	1899630000		Klippon K (aluminium empty enclosure), Mounting plate, Mounting
GTIN (EAN)	4032248519613		plate, Height: 44 mm, Width: 156 mm, Depth: 3 mm, Basic material:
Qty.	1 ST		Sheet steel, galvanized, galvanized, silver
Type	MOPL K3 N FE	Version	
Order No.	1898210000		Klippon K (aluminium empty enclosure), Mounting plate, Mounting
GTIN (EAN)	4032248516797		plate, Height: 44 mm, Width: 156 mm, Depth: 3 mm, Basic material:
Qty.	1 ST		Sheet steel, galvanized, galvanized, silver

Mounting support



We offer a broad portfolio of mounting support for easy handling and supplementation of our products. From various tools to insulating sleeves and various screws, our components are matched to each other down to the last detail and thus facilitate assembly in compliance with the respective standards and protective regulations.

KLIPPON K3 VMO

Weidmüller Interface GmbH & Co. KG
 Klingenbergstraße 26
 D-32758 Detmold
 Germany

www.weidmueller.com

Accessories

General ordering data

Type	FKSC M4X6 D8/SW2	Version	
Order No.	1567480000	SAK Series, Allen hex screw, Screws, Number of poles: 1	
GTIN (EAN)	4008190033491		
Qty.	100 ST		

TS 15



The system accessories for the Klippon® K enclosure series allows you to easily adapt the enclosures to meet the specific requirements of every application.

- DIN Rails TS 35 and TS 15
- Mounting plates
- Hinges
- Wall-mounted holder

Weidmüller can manufacture and supply this enclosure - according to customer specifications - fitted with all necessary terminals and cable glands.

General ordering data

Type	TS15X5 ST K3	Version	
Order No.	8000003885	Rail, TS 15, Width: 155 mm, without slot, Steel, galvanic zinc plated and passivated	
GTIN (EAN)	4050118652512		
Qty.	20 ST		