

## KLIPPON K3 VMO

**Weidmüller Interface GmbH & Co. KG**

Klingenbergstraße 26  
D-32758 Detmold  
Germany

[www.weidmueller.com](http://www.weidmueller.com)



The aluminium Klippon® K enclosures are suitable for use in an extremely wide range of different areas. Various components can be installed inside the enclosures, and will benefit in particular from the high temperature resistance, the excellent IP protection and the good impact resistance.

No matter what kind of application the customer is planning, Weidmüller is able to provide a wide range of aluminium enclosures precisely fitting the customer's requirements.

Klippon® K enclosures for hazardous areas are available on request.

Our extensive product range offers the following advantages:

- Available in two surface finishes: natural and powder-coated (RAL 7001)
  - With chloroprene moulded seal as standard (silicone moulded seal optionally available)
  - Standardised closure system with Torx slotted screw head for 19 enclosure sizes
  - Mounting holes outside of the gasket area
  - High IP protection classes: IP66, IP67 and IP68 according to DIN EN 60529
  - Impact resistance of up to 7 (10) Joules
  - The enclosures are approved according to ATEX, IECEx, cULus, and DNV GL as well as the empty enclosure standard.
- Suitable for railway applications according to EN 45545-2:2013
  - Alloy is resistant to salt water
  - Standardised distributor enclosures with threaded holes and a variety of terminal configurations

### General ordering data

Version	Klippon K (aluminium empty enclosure), Empty enclosure, Aluminium enclosure, Height: 70 mm, Width: 165 mm, Depth: 45 mm, Basic material: Aluminium AlSi12, untreated, silver
Order No.	<a href="#">193960000</a>
Type	KLIPPON K3 VMO
GTIN (EAN)	4032248615933
Qty.	5 items

**KLIPPON K3 VMO**

**Weidmüller Interface GmbH & Co. KG**  
 Klingenbergstraße 26  
 D-32758 Detmold  
 Germany

www.weidmueller.com

**Technical data**

**Approvals**

Approvals



ROHS	Conform
UL File Number Search	<a href="#">UL Website</a>
Certificate no. (cULus)	E197061

**Dimensions and weights**

Depth	45 mm	Depth (inches)	1.7716 inch
Height	70 mm	Height (inches)	2.7559 inch
Width	165 mm	Width (inches)	6.4961 inch
Mounting dimension - height	42 mm	Mounting dimension - width	153 mm
Net weight	416.8 g		

**Temperatures**

Operating temperature	-50 °C...135 °C
-----------------------	-----------------

**Environmental Product Compliance**

RoHS Compliance Status	Compliant without exemption
REACH SVHC	No SVHC above 0.1 wt%

**Cable glands, left**

M12	1	M16	1
-----	---	-----	---

**Cable glands, right**

M16	1	M12	1
-----	---	-----	---

**Cable glands, top/bottom**

M20	4	M12	6
M16	5		

**Certificate numbers enclosure**

Declaration of Conformatiy No. (DoC LVD)	DE PS24 10 1604 12 0011SS03	Certificate No. (DNV)	TAE00002SM
Approval conditions	cULus, RMRS, DNV	Certificate no. (cULus)	E197061

**General information**

Material thickness of cover	3 mm	Material thickness of enclosure	3.5 mm
Operating temperature, max.	135 °C	Operating temperature, min.	-50 °C
Lid attachment	M4 torx stainless steel screws with slot	Standards	EN 45545-2:2013
Surface finish	untreated	Impact resistance	10 J version standard
Protection degree	IP66, IP67, IP68	Basic material	Aluminium AlSi12
Seal material	Silicone	Torque for lid screws	2.5 Nm
Integral fixing	Threaded holes M4	Enclosure attachment	Holes 4 mm
Note: protection class	IP68 (t=72h, h=1m)	Protection class (UL)	Type 4, Type 4X

## KLIPPON K3 VMO

**Weidmüller Interface GmbH & Co. KG**

Klingenbergstraße 26  
D-32758 Detmold  
Germany

www.weidmueller.com

## Technical data

Number of lid screws	4	Access opening: width	158 mm
Unassembled to fit rail	<a href="#">TS15 155 KLIPPON K3 CSS</a>	Flange plate	No
Max. payload	1.16 kg	Lid	Yes
Access opening: height	63 mm	Areas of use	Process industry, Transportation, Marine engineering, Packaging industry, Harbour facilities, Machine construction

### horizontal assembly

WDU 2,5 / ZDU 2,5 / IDU 2,5	1x22
-----------------------------	------

### vertical assembly

WDU 2,5 / ZDU 2,5 / IDU 2,5	*
-----------------------------	---

### Classifications

ETIM 8.0	EC000261	ETIM 9.0	EC000261
ETIM 10.0	EC000261	ECLASS 14.0	27-18-01-01
ECLASS 15.0	27-18-01-01		

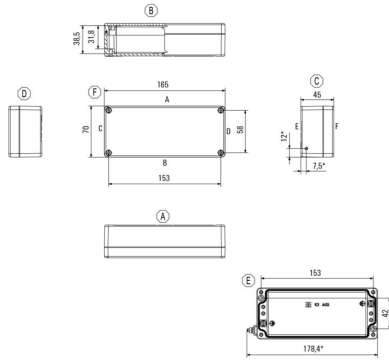
KLIPPON K3 VMO

Weidmüller Interface GmbH & Co. KG  
Klingenbergstraße 26  
D-32758 Detmold  
Germany

Drawings

www.weidmueller.com

Dimensioned drawing



XX\* nur für 9528880000