

## KLIPPON K0 VMQ RAL7001

**Weidmüller Interface GmbH & Co. KG**

Klingenbergstraße 26

D-32758 Detmold

Germany

[www.weidmueller.com](http://www.weidmueller.com)

### Similar to illustration



The aluminium Klippon® K enclosures are suitable for use in an extremely wide range of different areas. Various components can be installed inside the enclosures, and will benefit in particular from the high temperature resistance, the excellent IP protection and the good impact resistance.

No matter what kind of application the customer is planning, Weidmüller is able to provide a wide range of aluminium enclosures precisely fitting the customer's requirements.

Our extensive product range offers the following advantages:

- Available in two surface finishes: natural and powder-coated (RAL 7001)
- With chloroprene moulded seal as standard (silicone moulded seal optionally available)
- Standardised closure system with Torx slotted screw head for 19 enclosure sizes
- Mounting holes outside of the gasket area
- High IP protection classes: IP66, IP67 and IP68 according to DIN EN 60529
- Impact resistance of up to 7 (10) Joules
- The enclosures are approved according, cULus and DNV GL as well as the empty enclosure standard.
- Suitable for railway applications according to EN 45545-2:2013
- Alloy is resistant to salt water

- Standardised distributor enclosures with threaded holes and a variety of terminal configurations

### General ordering data

Version	Klippon K (aluminium empty enclosure), Empty enclosure, Aluminium enclosure, Height: 45 mm, Width: 50 mm, Depth: 30 mm, Basic material: Aluminium AISi12, Powder-coated, textured, Silver grey
Order No.	<a href="#">1937920000</a>
Type	KLIPPON K0 VMQ RAL7001
GTIN (EAN)	4032248610143
Qty.	10 items

## KLIPPON K0 VMQ RAL7001

**Weidmüller Interface GmbH & Co. KG**  
 Klingenbergstraße 26  
 D-32758 Detmold  
 Germany

www.weidmueller.com

## Technical data

### Approvals

Approvals



ROHS Conform  
 UL File Number Search [UL Website](#)  
 Certificate no. (cULus) E197061

### Dimensions and weights

Depth	30 mm	Depth (inches)	1.1811 inch
Height	45 mm	Height (inches)	1.7716 inch
Width	50 mm	Width (inches)	1.9685 inch
Mounting dimension - height	35 mm	Mounting dimension - width	40 mm
Net weight	71.37 g		

### Temperatures

Operating temperature -60 °C...135 °C

### Environmental Product Compliance

RoHS Compliance Status Compliant without exemption  
 REACH SVHC No SVHC above 0.1 wt%

### Cable glands, left

M12	1	M16	1
-----	---	-----	---

### Cable glands, right

M16	1	M12	1
-----	---	-----	---

### Cable glands, top/bottom

M12	1	M16	1
-----	---	-----	---

### Certificate numbers enclosure

Declaration of Conformatiy No. (DoC LVD)	DE PS2410 160412 0011SS03	Certificate No. (DNV)	TAE00002SM
Approval conditions	cULus, RMRS, DNV	Certificate no. (cULus)	E197061

### General information

Material thickness of cover	2 mm	Material thickness of enclosure	2.5 mm
Operating temperature, max.	135 °C	Operating temperature, min.	-60 °C
Lid attachment	M4 torx stainless steel screws with slot	Standards	EN 45545-2:2013
Surface finish	Powder-coated, textured	Impact resistance	10 J version standard
Protection degree	IP66, IP67, IP68	Basic material	Aluminium AlSi12
Seal material	Silicone	Torque for lid screws	2.5 Nm
Integral fixing	Threaded holes M3	Enclosure attachment	Holes 4 mm
Note: protection class	IP68 (t=72h, h=1m)	Protection class (UL)	Type 4, Type 4X

## KLIPPON K0 VMQ RAL7001

**Weidmüller Interface GmbH & Co. KG**  
Klingenbergstraße 26  
D-32758 Detmold  
Germany

[www.weidmueller.com](http://www.weidmueller.com)

## Technical data

Number of lid screws	2	Access opening: width	45 mm
Flange plate	No	Max. payload	0.23 kg
Lid	Yes	Access opening: height	40 mm
Areas of use	Process industry, Transportation, Marine engineering, Packaging industry, Harbour facilities, Machine construction		

## Classifications

ETIM 8.0	EC000261	ETIM 9.0	EC000261
ETIM 10.0	EC000261	ECLASS 14.0	27-18-01-01
ECLASS 15.0	27-18-01-01		

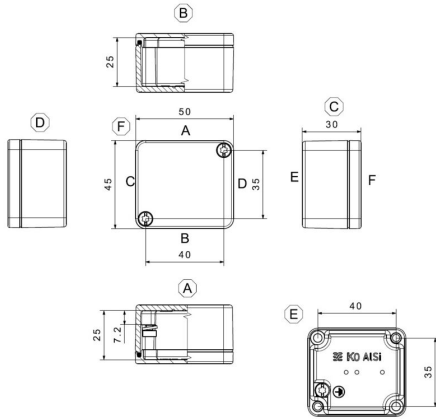
**KLIPPON K0 VMQ RAL7001**

**Weidmüller Interface GmbH & Co. KG**  
Klingenbergstraße 26  
D-32758 Detmold  
Germany

**Drawings**

[www.weidmueller.com](http://www.weidmueller.com)

**Dimensioned drawing**



## KLIPPON K0 VMQ RAL7001

**Weidmüller Interface GmbH & Co. KG**  
Klingenbergstraße 26  
D-32758 Detmold  
Germany

[www.weidmueller.com](http://www.weidmueller.com)

## Accessories

### Mounting support



We offer a broad portfolio of mounting support for easy handling and supplementation of our products. From various tools to insulating sleeves and various screws, our components are matched to each other down to the last detail and thus facilitate assembly in compliance with the respective standards and protective regulations.

### General ordering data

Type	FKSC M4X6 D8/SW2	Version	
Order No.	<a href="#">1567480000</a>	SAK Series, Allen hex screw, Screws, Number of poles: 1	
GTIN (EAN)	4008190033491		
Qty.	100 ST		