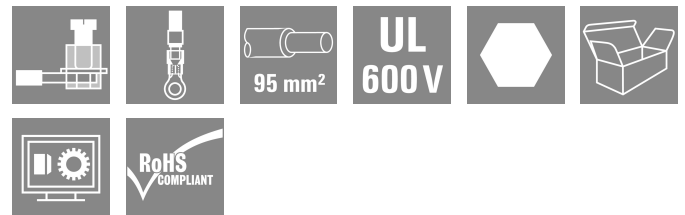


## WGK 95F VP GN/YE BX

**Weidmüller Interface GmbH & Co. KG**  
 Klingenbergstraße 26  
 D-32758 Detmold  
 Germany

www.weidmueller.com

### Product image



Similar to illustration

The WGK finger-proof-insulated enclosures are especially suitable as industrial electronic enclosures for frequency converters, power supplies or filter components which offer a convenient and reliable form of connection internally and externally. To match the wire guides to the installation requirements in the best possible way, Weidmüller offers two versions with horizontal (WGK) and vertical (WGKV) outlet directions.

### General ordering data

|              |   |
|--------------|---|
| Version      | OMNIMATE Power - series WGK, Feed-through terminal, Rated cross-section: 95 mm <sup>2</sup> , Screw connection, Wemid (PA), Green/yellow, Direct mounting, Feed-through (bushing) |
| Order No.    | <a href="#">1937120000</a>  |
| Type         | WGK 95F VP GN/YE BX   |
| GTIN (EAN)   | 4032248664733   |
| Qty.         | 10 items  |
| Product data | IEC: 1000 V / 232 A / 35 - 95 mm <sup>2</sup><br>UL: 600 V / 230 A / AWG 4 - AWG 4/0  |
| Packaging    | Box   |

## WGK 95F VP GN/YE BX

Weidmüller Interface GmbH &amp; Co. KG

Klingenbergstraße 26

D-32758 Detmold

Germany

www.weidmueller.com

## Technical data

## Approvals

Approvals



ROHS Conform

UL File Number Search [UL Website](#)

Certificate No. (cURus) E60693

## Dimensions and weights

|                          |             |                 |             |
|--------------------------|-------------|-----------------|-------------|
| Height                   | 74 mm       | Height (inches) | 2.9134 inch |
| Height of lowest version | 74 mm       | Width           | 25 mm       |
| Width (inches)           | 0.9842 inch | Length          | 27.4 mm     |
| Length (inches)          | 1.0787 inch | Net weight      | 179 g       |

## Environmental Product Compliance

RoHS Compliance Status Compliant without exemption

REACH SVHC No SVHC above 0.1 wt%

## System parameters

|   |                                |                         |                                      |
|---|--------------------------------|-------------------------|--------------------------------------|
| Product family                                | OMNIMATE Power - series<br>WGK | Wire connection method  | Cable lug: ring cable /<br>spade lug |
| Conductor outlet direction                    | 180°                           | Number of poles         | 1                                    |
| Pin series quantity                           | 1                              | Fitted by customer      | No                                   |
| Tightening torque, min.                       | 15 Nm                          | Tightening torque, max. | 20 Nm                                |
| Clamping screw                                | M8/Hexagon                     | Stripping length        | 27 mm                                |
| Touch-safe protection acc. to DIN VDE<br>0470 | IP 20                          | Protection degree       | IP20                                 |
| Type of connection 1                          | Clamping yoke                  | Type of connection 2    | Screw connection                     |

## Material data

|                                       |               |                                       |              |
|---------------------------------------|---------------|---------------------------------------|--------------|
| Insulating material                   | Wemid (PA)    | Colour                                | Green/yellow |
| Colour chart (similar)                | Not specified | Moisture Level (MSL)                  |              |
| UL 94 flammability rating             | V-0           | Contact material                      | Cu-alloy     |
| Contact surface                       | tinned        | Storage temperature, min.             | -40 °C       |
| Storage temperature, max.             | 70 °C         | Operating temperature, min.           | -50 °C       |
| Operating temperature, max.           | 120 °C        | Temperature range, installation, min. | -25 °C       |
| Temperature range, installation, max. | 120 °C        |                                       |              |

## Conductors suitable for connection

|  |   |  |                    |
|--|---|--|--------------------|
| Clamping range, min.   | 35 mm <sup>2</sup>                              | Clamping range, max.   | 95 mm <sup>2</sup> |
| Wire connection cross section AWG,<br>min.                               | AWG 4   | Wire connection cross section AWG,<br>max.                               | AWG 4/0            |
| Solid, min. H05(07) V-U  | 35 mm <sup>2</sup>                              | Solid, max. H05(07) V-U  | 95 mm <sup>2</sup> |
| Stranded, min. H07V-R  | 35 mm <sup>2</sup>                              | Stranded, max. H07V-R  | 95 mm <sup>2</sup> |
| Flexible, min. H05(07) V-K   | 35 mm <sup>2</sup>                              | Flexible, max. H05(07) V-K   | 95 mm <sup>2</sup> |
| w. plastic collar ferrule, DIN 46228 pt 4,<br>35 mm <sup>2</sup><br>min. |   | w. plastic collar ferrule, DIN 46228 pt 4,<br>95 mm <sup>2</sup><br>max. |                    |
| w. wire end ferrule, DIN 46228 pt 1,<br>35 mm <sup>2</sup><br>min.       |   | w. wire end ferrule, DIN 46228 pt 1,<br>95 mm <sup>2</sup><br>max.       |                    |
| Reference text   | Length of ferrules is to<br>be chosen depending |  |                    |

## WGK 95F VP GN/YE BX

Weidmüller Interface GmbH &amp; Co. KG

Klingenbergstraße 26

D-32758 Detmold

Germany

www.weidmueller.com

## Technical data

on the product and the rated voltage., The outside diameter of the plastic collar should not be larger than the pitch (P)

## Rated data acc. to IEC

|   |             |  |        |
|---|-------------|--|--------|
| tested acc. to standard   | IEC 60664-1 | Rated current, min. number of poles (Tu=20°C)                  | 232 A  |
| Rated current, max. number of poles (Tu=20°C)                             | 232 A       | Rated voltage for surge voltage class / pollution degree III/3 | 1000 V |
| Rated impulse voltage for surge voltage class/ contamination degree III/3 | 8 kV        |  |        |

## Rated data acc. to CSA

|                                   |  |                                   |                |
|-----------------------------------|--|-----------------------------------|----------------|
| Institute (CSA)                   | CSA  | Certificate No. (CSA)             | 200039-1830694 |
| Rated voltage (Use group B / CSA) | 600 V  | Rated voltage (Use group C / CSA) | 600 V          |
| Rated voltage (Use group D / CSA) | 300 V  | Rated current (Use group B / CSA) | 230 A          |
| Rated current (Use group C / CSA) | 230 A  | Rated current (Use group D / CSA) | 10 A           |
| Wire cross-section, AWG, min.     | AWG 4  | Wire cross-section, AWG, max.     | AWG 4/0        |
| Reference to approval values      | Specifications are maximum values, details - see approval certificate. |                                   |                |

## Rated data acc. to UL 1059

|                                       |  |                                       |         |
|---------------------------------------|--|---------------------------------------|---------|
| Institute (cURus)                     | CURUS  | Certificate No. (cURus)               | E60693  |
| Rated voltage (Use group B / UL 1059) | 600 V  | Rated voltage (Use group C / UL 1059) | 600 V   |
| Rated voltage (Use group D / UL 1059) | 300 V  | Rated current (Use group B / UL 1059) | 230 A   |
| Rated current (Use group C / UL 1059) | 230 A  | Rated current (Use group D / UL 1059) | 10 A    |
| Wire cross-section, AWG, min.         | AWG 4  | Wire cross-section, AWG, max.         | AWG 4/0 |
| Reference to approval values          | Specifications are maximum values, details - see approval certificate. |                                       |         |

## Packing

|           |           |            |           |
|-----------|-----------|------------|-----------|
| Packaging | Box       | VPE length | 271.00 mm |
| VPE width | 123.00 mm | VPE height | 101.00 mm |

## Important note

|       |   |
|-------|---|
| Notes | <ul style="list-style-type: none"> <li>• Clearance and creepage distances to other components must be devised in accordance with the relevant application standard. This can be achieved in the device by full encapsulation or by the use of additional spacer plates.</li> <li>• Rated data refer only to the component itself. Clearance and creepage distances to other components are to be designed in accordance with the relevant application standards.</li> <li>• Colours: SW = black; GN/YL = green/yellow; GY = grey</li> <li>• Additional variants on request</li> <li>• WGK: Rated voltage plastic walls: 1–6 mm = 1000 V; metal walls: &lt; 2.5 mm = 1000 V; metal walls: 2.5–3.5 mm = 800 V; metal walls: 3.5–5.5 mm = 690 V</li> <li>• Long term storage of the product with average temperature of 50 °C and maximum humidity 70%, 36 months</li> </ul> |
|-------|---|

## Classifications

|             |             |             |             |
|-------------|-------------|-------------|-------------|
| ETIM 8.0    | EC001283    | ETIM 9.0    | EC001283    |
| ETIM 10.0   | EC001283    | ECLASS 14.0 | 27-14-11-34 |
| ECLASS 15.0 | 27-14-11-34 |             |             |

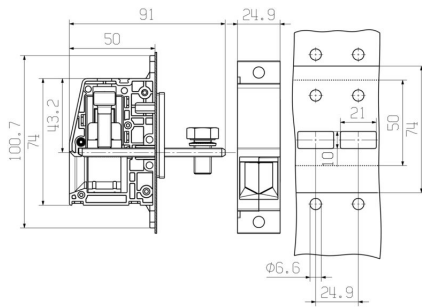
**WGK 95F VP GN/YE BX**

**Weidmüller Interface GmbH & Co. KG**  
 Klingenbergstraße 26  
 D-32758 Detmold  
 Germany

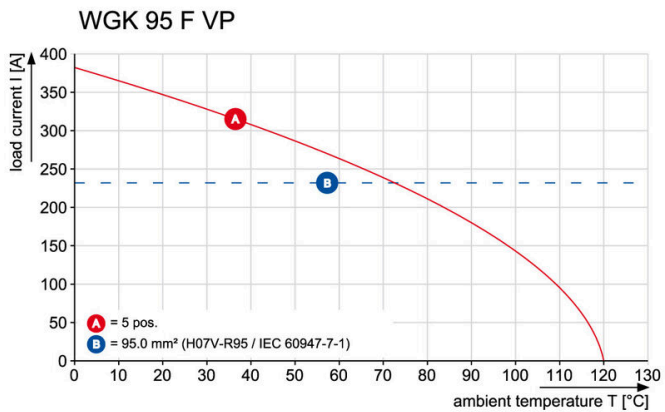
**Drawings**

www.weidmueller.com

**Dimensional drawing**



**Graph**



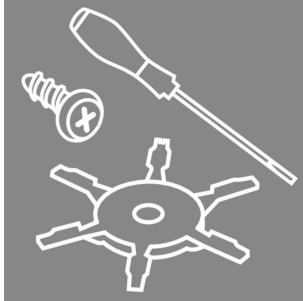
## WGK 95F VP GN/YE BX

**Weidmüller Interface GmbH & Co. KG**  
 Klingenbergstraße 26  
 D-32758 Detmold  
 Germany

www.weidmueller.com

## Accessories

### Accessories



Integrate, expand and customise: the perfect supplement to every application. Universal system accessories enable easy adaptation of the interfaces to fulfil specific requirements for the relevant application.

### General ordering data

|            |                            |         |  |
|------------|----------------------------|---------|--|
| Type       | DP WGK 95 BK BX            | Version |  |
| Order No.  | <a href="#">1250620000</a> |         | OMNIMATE Power - series WGK, Feed-through terminal |
| GTIN (EAN) | 4050118041811              |         |  |
| Qty.       | 10 ST                      |         |  |
| Type       | DP WGK 95 GY BX            | Version |  |
| Order No.  | <a href="#">1937020000</a> |         | OMNIMATE Power - series WGK, Feed-through terminal |
| GTIN (EAN) | 4032248664801              |         |  |
| Qty.       | 10 ST                      |         |  |

### Blank



The Dekafix (DEK) marker is the universal marker for all conductor and plug-in connectors as well as for electronic sub-assemblies. The system is ideal for short number sequences and covers a wide range of ready-printed markers.

Strips for fast installation in only one work step. The printing is easy to read, rich in contrast and available in various widths.

- Large range of ready-to-use markers
  - Strips for fast installation
  - Terminal markers, suitable for all Weidmüller cable connectors
  - Available as blank MultiCard or with standard printing
- For custom printing: Please send us a file of our labeling software M-Print PRO or M-Print PRO Online (without installation) for your labeling specifications.

### General ordering data

|            |                            |         |   |
|------------|----------------------------|---------|---|
| Type       | DEK 5/5 MC NE WS           | Version |   |
| Order No.  | <a href="#">1609801044</a> |         | Dekafix, Terminal marker, 5 x 5 mm, Pitch in mm (P): 5.00 |
| GTIN (EAN) | 4008190397111              |         | Weidmueller, white  |
| Qty.       | 1000 ST                    |         |   |
| Type       | DEK 5/6 MC NE WS           | Version |   |
| Order No.  | <a href="#">1609820000</a> |         | Dekafix, Terminal marker, 5 x 6 mm, Pitch in mm (P): 6.00 |
| GTIN (EAN) | 4008190203436              |         | Weidmueller, white  |
| Qty.       | 1000 ST                    |         |   |
| Type       | DEK 5/8 MC NE WS           | Version |   |
| Order No.  | <a href="#">1856740000</a> |         | Dekafix, Terminal marker, 5 x 8 mm, Pitch in mm (P): 8.00 |
| GTIN (EAN) | 4032248400850              |         | Weidmueller, white  |
| Qty.       | 800 ST                     |         |   |

## WGK 95F VP GN/YE BX

**Weidmüller Interface GmbH & Co. KG**  
Klingenbergstraße 26  
D-32758 Detmold  
Germany

[www.weidmueller.com](http://www.weidmueller.com)

## Accessories

### Socket wrench sets



Allen key made from fully hardened, high-alloy chromium-vanadium- steel, acc. to DIN ISO 2936 L (DIN 911), high-quality refined surface.

### General ordering data

|            |                            |               |  |
|------------|----------------------------|---------------|--|
| Type       | SK WSD-S 1,5-10,0          | Version       |  |
| Order No.  | <a href="#">9008850000</a> | Mounting tool |  |
| GTIN (EAN) | 4032248266609              |               |  |
| Qty.       | 1 ST                       |               |  |