

## WGK 4 GN/YE BX

**Weidmüller Interface GmbH & Co. KG**

Klingenbergstraße 26

D-32758 Detmold

Germany

[www.weidmueller.com](http://www.weidmueller.com)



Similar to illustration

The WGK finger-proof-insulated enclosures are especially suitable as industrial electronic enclosures for frequency converters, power supplies or filter components which offer a convenient and reliable form of connection internally and externally. To match the wire guides to the installation requirements in the best possible way, Weidmüller offers two versions with horizontal (WGK) and vertical (WGKV) outlet directions.

### General ordering data

|              |  |
|--------------|--|
| Version      | OMNIMATE Power - series WGK, Feed-through terminal, Rated cross-section: 4 mm <sup>2</sup> , Screw connection, Wemid (PA), Green/yellow, Direct mounting, Feed-through (bushing) |
| Order No.    | <a href="#">1936540000</a>   |
| Type         | WGK 4 GN/YE BX   |
| GTIN (EAN)   | 4032248664344  |
| Qty.         | 50 items   |
| Product data | IEC: 500 V / 32 A / 0.5 - 6 mm <sup>2</sup><br>UL: 300 V / 30 A / AWG 30 - AWG 10  |
| Packaging    | Box  |

Creation date 04.03.2026 10:46:09 MEZ

Catalogue status / Drawings

## WGK 4 GN/YE BX

Weidmüller Interface GmbH &amp; Co. KG

Klingenbergstraße 26

D-32758 Detmold

Germany

www.weidmueller.com

## Technical data

## Approvals

Approvals



ROHS Conform

UL File Number Search [UL Website](#)

Certificate No. (cURus) E60693

## Dimensions and weights

|                          |             |                 |             |
|--------------------------|-------------|-----------------|-------------|
| Height                   | 21.5 mm     | Height (inches) | 0.8465 inch |
| Height of lowest version | 21.5 mm     | Width           | 8.1 mm      |
| Width (inches)           | 0.3189 inch | Length          | 8.1 mm      |
| Length (inches)          | 0.3189 inch | Net weight      | 8.44 g      |

## Environmental Product Compliance

RoHS Compliance Status Compliant without exemption

REACH SVHC No SVHC above 0.1 wt%

## System parameters

|                            |                                |   |                  |
|----------------------------|--------------------------------|---|------------------|
| Product family             | OMNIMATE Power - series<br>WGK | Wire connection method                        | Screw connection |
| Conductor outlet direction | 180°                           | Number of poles                               | 1                |
| Pin series quantity        | 1                              | Fitted by customer                            | No               |
| Screwdriver blade          | 0.6 x 3.5                      | Tightening torque, min.                       | 0.6 Nm           |
| Tightening torque, max.    | 0.8 Nm                         | Clamping screw                                | M 3              |
| Stripping length           | 8 mm                           | Touch-safe protection acc. to DIN VDE<br>0470 | IP 20            |
| Protection degree          | IP20                           | Type of connection 1                          | Clamping yoke    |
| Type of connection 2       | Clamping yoke                  |   |                  |

## Material data

|                                       |               |                                       |              |
|---------------------------------------|---------------|---------------------------------------|--------------|
| Insulating material                   | Wemid (PA)    | Colour                                | Green/yellow |
| Colour chart (similar)                | Not specified | Moisture Level (MSL)                  |              |
| UL 94 flammability rating             | V-0           | Contact material                      | Cu-alloy     |
| Contact surface                       | tinned        | Storage temperature, min.             | -40 °C       |
| Storage temperature, max.             | 70 °C         | Operating temperature, min.           | -50 °C       |
| Operating temperature, max.           | 120 °C        | Temperature range, installation, min. | -25 °C       |
| Temperature range, installation, max. | 120 °C        |                                       |              |

## Conductors suitable for connection

|  |                     |
|--|---------------------|
| Clamping range, min.                       | 0.5 mm <sup>2</sup> |
| Clamping range, max.                       | 6 mm <sup>2</sup>   |
| Wire connection cross section AWG,<br>min. | AWG 30              |
| Wire connection cross section AWG,<br>max. | AWG 10              |
| Solid, min. H05(07) V-U                    | 0.5 mm <sup>2</sup> |
| Solid, max. H05(07) V-U                    | 6 mm <sup>2</sup>   |
| Stranded, min. H07V-R                      | 0.5 mm <sup>2</sup> |
| Stranded, max. H07V-R                      | 4 mm <sup>2</sup>   |

## WGK 4 GN/YE BX

**Weidmüller Interface GmbH & Co. KG**

Klingenbergstraße 26  
D-32758 Detmold  
Germany

www.weidmueller.com

## Technical data

|   |                     |
|---|---------------------|
| Flexible, min. H05(07) V-K  | 0.5 mm <sup>2</sup> |
| Flexible, max. H05(07) V-K  | 4 mm <sup>2</sup>   |
| w. plastic collar ferrule, DIN 46228 pt 4, 0.5 mm <sup>2</sup> min. |                     |
| w. plastic collar ferrule, DIN 46228 pt 4, 4 mm <sup>2</sup> max.   |                     |
| w. wire end ferrule, DIN 46228 pt 1, 0.5 mm <sup>2</sup> min.       |                     |
| w. wire end ferrule, DIN 46228 pt 1, 4 mm <sup>2</sup> max.         |                     |

|                     |  |                              |                        |      |
|---------------------|--|------------------------------|------------------------|------|
| Clampable conductor | Cross-section for conductor connection | Type                         | fine-wired             |      |
|                     |  | nominal                      | 1.5 mm <sup>2</sup>    |      |
|                     | wire end ferrule                       | Stripping length             | nominal                | 7 mm |
|                     |  | Recommended wire-end ferrule | <a href="#">H1.5/7</a> |      |
| Clampable conductor | Cross-section for conductor connection | Type                         | fine-wired             |      |
|                     |  | nominal                      | 2.5 mm <sup>2</sup>    |      |
|                     | wire end ferrule                       | Stripping length             | nominal                | 7 mm |
|                     |  | Recommended wire-end ferrule | <a href="#">H2.5/7</a> |      |

Reference text Length of ferrules is to be chosen depending on the product and the rated voltage., The outside diameter of the plastic collar should not be larger than the pitch (P)

### Rated data acc. to IEC

|   |             |  |       |
|---|-------------|--|-------|
| tested acc. to standard   | IEC 60664-1 | Rated current, min. number of poles (Tu=20°C)                  | 32 A  |
| Rated current, max. number of poles (Tu=20°C)                             | 32 A        | Rated voltage for surge voltage class / pollution degree III/3 | 500 V |
| Rated impulse voltage for surge voltage class/ contamination degree III/3 | 6 kV        |  |       |

### Rated data acc. to CSA

|                                   |  |                                   |                |
|-----------------------------------|--|-----------------------------------|----------------|
| Institute (CSA)                   | CSA  | Certificate No. (CSA)             | 200039-1830694 |
| Rated voltage (Use group B / CSA) | 300 V  | Rated voltage (Use group C / CSA) | 300 V          |
| Rated voltage (Use group D / CSA) | 300 V  | Rated current (Use group B / CSA) | 30 A           |
| Rated current (Use group C / CSA) | 30 A   | Rated current (Use group D / CSA) | 10 A           |
| Wire cross-section, AWG, min.     | AWG 30   | Wire cross-section, AWG, max.     | AWG 10         |
| Reference to approval values      | Specifications are maximum values, details - see approval certificate. |                                   |                |

### Rated data acc. to UL 1059

|                                       |  |                                       |        |
|---------------------------------------|--|---------------------------------------|--------|
| Institute (cURus)                     | CURUS  | Certificate No. (cURus)               | E60693 |
| Rated voltage (Use group B / UL 1059) | 300 V  | Rated voltage (Use group C / UL 1059) | 300 V  |
| Rated voltage (Use group D / UL 1059) | 300 V  | Rated current (Use group B / UL 1059) | 30 A   |
| Rated current (Use group C / UL 1059) | 30 A   | Rated current (Use group D / UL 1059) | 10 A   |
| Wire cross-section, AWG, min.         | AWG 30   | Wire cross-section, AWG, max.         | AWG 10 |
| Reference to approval values          | Specifications are maximum values, details - see approval certificate. |                                       |        |

### Packing

|           |          |            |           |
|-----------|----------|------------|-----------|
| Packaging | Box      | VPE length | 153.00 mm |
| VPE width | 82.00 mm | VPE height | 83.00 mm  |

**Important note**

## Notes

- Clearance and creepage distances to other components must be devised in accordance with the relevant application standard. This can be achieved in the device by full encapsulation or by the use of additional spacer plates.
- Rated data refer only to the component itself. Clearance and creepage distances to other components are to be designed in accordance with the relevant application standards.
- Colours: SW = black; GN/YL = green/yellow; GY = grey
- Additional variants on request
- WGK: Rated voltage plastic walls: 1 - 4 mm = 500 V; metal walls: 1 - 2.5 mm = 400 V; metal walls: 2.5 - 4 mm = 250 V
- WGKV: Rated voltage plastic walls: 1 - 4 mm = 400 V; metal walls: 1 - 2.5 mm = 400 V; metal walls: 2.5 - 4 mm = 250 V
- VWGK: Rated voltage plastic walls: 1 - 4 mm = 500 V; metal walls: 1 - 4 mm = 500 V
- Long term storage of the product with average temperature of 50 °C and maximum humidity 70%, 36 months

**Classifications**

|             |             |             |             |
|-------------|-------------|-------------|-------------|
| ETIM 8.0    | EC001283    | ETIM 9.0    | EC001283    |
| ETIM 10.0   | EC001283    | ECLASS 14.0 | 27-14-11-34 |
| ECLASS 15.0 | 27-14-11-34 |             |             |

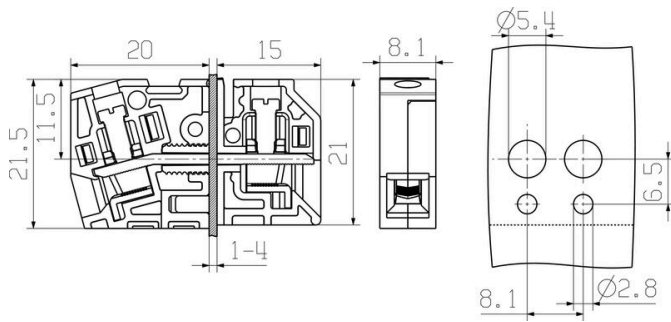
**WGK 4 GN/YE BX**

**Weidmüller Interface GmbH & Co. KG**  
Klingenbergstraße 26  
D-32758 Detmold  
Germany

[www.weidmueller.com](http://www.weidmueller.com)

**Drawings**

**Dimensional drawing**



**Graph**

**Graph**

## WGK 4 GN/YE BX

**Weidmüller Interface GmbH & Co. KG**

Klingenbergstraße 26

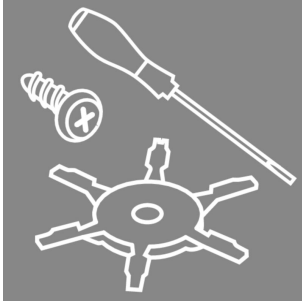
D-32758 Detmold

Germany

[www.weidmueller.com](http://www.weidmueller.com)

## Accessories

### Accessories

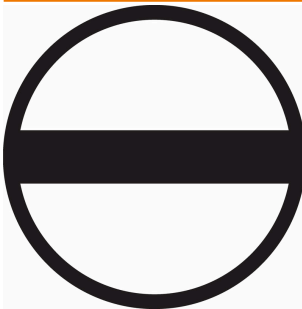


Integrate, expand and customise: the perfect supplement to every application. Universal system accessories enable easy adaptation of the interfaces to fulfil specific requirements for the relevant application.

### General ordering data

|            |                            |         |  |
|------------|----------------------------|---------|--|
| Type       | DP WGK 4 GY BX             | Version |  |
| Order No.  | <a href="#">1936450000</a> | Version | OMNIMATE Power - series WGK, Feed-through terminal |
| GTIN (EAN) | 4032248780624              |         |  |
| Qty.       | 50 ST                      |         |  |

### Slotted screwdriver



VDE insulated slot-head screwdriver, SDI DIN 7437, ISO 2380/2, drive output acc. to DIN 5264, ISO 2380/1. SoftFinish grip

### General ordering data

|            |                            |         |   |
|------------|----------------------------|---------|---|
| Type       | SDIS 0.6X3.5X100           | Version |   |
| Order No.  | <a href="#">2749810000</a> | Version | Screwdriver, Blade width (B): 3.5 mm, Blade length: 100 mm, Blade thickness (A): 0.6 mm |
| GTIN (EAN) | 4050118897012              |         |   |
| Qty.       | 1 ST                       |         |   |

### Blank



The Dekafix (DEK) marker is the universal marker for all conductor and plug-in connectors as well as for electronic sub-assemblies. The system is ideal for short number sequences and covers a wide range of ready-printed markers.

Strips for fast installation in only one work step. The printing is easy to read, rich in contrast and available in various widths.

- Large range of ready-to-use markers
  - Strips for fast installation
  - Terminal markers, suitable for all Weidmüller cable connectors
  - Available as blank MultiCard or with standard printing
- For custom printing: Please send us a file of our labeling software M-Print PRO or M-Print PRO Online (without installation) for your labeling specifications.

## WGK 4 GN/YE BX

**Weidmüller Interface GmbH & Co. KG**  
Klingenbergstraße 26  
D-32758 Detmold  
Germany

[www.weidmueller.com](http://www.weidmueller.com)

## Accessories

### General ordering data

|            |                            |   |
|------------|----------------------------|---|
| Type       | DEK 5/5 MC NE WS           | Version   |
| Order No.  | <a href="#">1609801044</a> | Dekafix, Terminal marker, 5 x 5 mm, Pitch in mm (P): 5.00 |
| GTIN (EAN) | 4008190397111              | Weidmueller, white  |
| Qty.       | 1000 ST                    |   |
| Type       | DEK 5/6 MC NE WS           | Version   |
| Order No.  | <a href="#">1609820000</a> | Dekafix, Terminal marker, 5 x 6 mm, Pitch in mm (P): 6.00 |
| GTIN (EAN) | 4008190203436              | Weidmueller, white  |
| Qty.       | 1000 ST                    |   |
| Type       | DEK 5/8 MC NE WS           | Version   |
| Order No.  | <a href="#">1856740000</a> | Dekafix, Terminal marker, 5 x 8 mm, Pitch in mm (P): 8.00 |
| GTIN (EAN) | 4032248400850              | Weidmueller, white  |
| Qty.       | 800 ST                     |   |