

HDC 24D TSZO 1M25G

Weidmüller Interface GmbH & Co. KG
 Klingenbergstraße 26
 D-32758 Detmold
 Germany

www.weidmueller.com



The special die-cast alloy and the multi-layered surface sealing provide complete protection for the HDC housings.

The cleverly designed interlock system is manufactured from stainless steel. This guarantees a long lifespan with high resistance to corrosion and impact.

The housing interlock system provides integrated safety. Our unique, patented spring system provides the housing interlock with a secure grip and prevents accidental opening.

The laser marking allows for easy and quick identification. Each housing is permanently labelled with a laser marking so that each product can be quickly designated and positioned.

Weidmüller RockStar® IP 65 / NEMA Type 4X housings - your first choice for industrial housings with IP 65 protection.

General ordering data

Version	HDC enclosures, Installation size: 4, Protection degree: IP65, in plugged condition, Cable entry from side, Plug housing, Central locking at the top, high, Size of cable entries: M 25
Order No.	1903610000
Type	HDC 24D TSZO 1M25G
GTIN (EAN)	4032248593002
Qty.	1 items

HDC 24D TSZO 1M25G

Weidmüller Interface GmbH & Co. KG
 Klingenbergstraße 26
 D-32758 Detmold
 Germany

www.weidmueller.com

Technical data

Approvals

Approvals



ROHS Conform

UL File Number Search [UL Website](#)

Certificate No. (cURus) E92202

Dimensions and weights

Depth	100.5 mm	Depth (inches)	3.9567 inch
Height	72 mm	Height (inches)	2.8346 inch
Width	57 mm	Width (inches)	2.2441 inch
Net weight	227.04 g		

Temperatures

Limit temperature -40 °C ... 125 °C

Environmental Product Compliance

RoHS Compliance Status Compliant without exemption
 REACH SVHC Potassium perfluorobutane sulfonate 29420-49-3
 SCIP e98b2b24-ba23-41bf-8d19-0dda3647412f

Chemical resistance	Substance	Acetone
	Chemical resistance	Conditionally resistant
	Substance	Drilling oil
	Chemical resistance	Resistant
	Substance	Diesel
	Chemical resistance	Resistant
	Substance	Ethyl alcohol
	Chemical resistance	Resistant
	Substance	Transmission oil
	Chemical resistance	Resistant
	Substance	Hydraulic oil
	Chemical resistance	Resistant
	Substance	Coolant
	Chemical resistance	Resistant
	Substance	Petroleum benzene
	Chemical resistance	Resistant
	Substance	Sweat
	Chemical resistance	Resistant
	Substance	Premium gasoline
	Chemical resistance	Conditionally resistant
Substance	Water	
Chemical resistance	Resistant	
Substance	UV	
Chemical resistance	Unstable	
Substance	Ozone	
Chemical resistance	Unstable	

Dimensions

Cable entry	w. thread	Width housing C	43 mm
Total length housing	73 mm	Height of housing B	72 mm

Creation date 20.02.2026 01:11:52 MEZ

Catalogue status / Drawings

HDC 24D TSZO 1M25G

Weidmüller Interface GmbH & Co. KG
 Klingenbergstraße 26
 D-32758 Detmold
 Germany

www.weidmueller.com

Technical data

General data

Surface finish	Powder coating	Protection degree	IP65, in plugged condition
----------------	----------------	-------------------	----------------------------

Version

Size of cable entries	M 25	Top part/bottom part/lid	upper part
Cover	without cover	Number of cable entry on top	0
Number of cable entry sideways	1	Design of housing	Cable entry from side, Plug housing
Design of locking system	Central locking at the top	Design	high
Installation size	4	Cable entry	w. thread
Type	Plug	Clamp version	Central-locking clamp
Sealing	no sealing	Internal thread	M 25
Colour (RAL)	RAL 7035	BG	4
Suitable for ModuPlug®	Yes		

Classifications

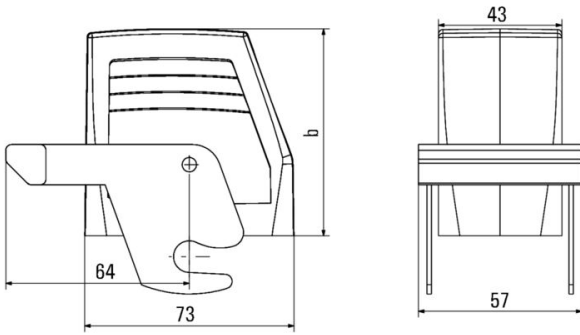
ETIM 8.0	EC000437	ETIM 9.0	EC000437
ETIM 10.0	EC000437	ECLASS 14.0	27-44-02-02
ECLASS 15.0	27-44-02-02		

HDC 24D TSZO 1M25G

Weidmüller Interface GmbH & Co. KG
Klingenbergstraße 26
D-32758 Detmold
Germany

Drawings

www.weidmueller.com



HDC 24D TSZO 1M25G

Weidmüller Interface GmbH & Co. KG
 Klingenbergstraße 26
 D-32758 Detmold
 Germany

www.weidmueller.com

Accessories

Base housing



The special die-cast alloy and the multi-layered surface sealing provide complete protection for the HDC housings.
 The cleverly designed interlock system is manufactured from stainless steel. This guarantees a long lifespan with high resistance to corrosion and impact.
 The housing interlock system provides integrated safety. Our unique, patented spring system provides the housing interlock with a secure grip and prevents accidental opening.
 The laser marking allows for easy and quick identification. Each housing is permanently labelled with a laser marking so that each product can be quickly designated and positioned.
 Weidmüller RockStar® IP 65 / NEMA Type 4X housings - your first choice for industrial housings with IP 65 protection.

General ordering data

Type	HDC 24D SZO 2PG21G	Version	
Order No.	1968350000		HDC enclosures, Installation size: 4, Protection degree: IP65, in
GTIN (EAN)	4032248689392		plugged condition, Base housing, Central locking at the top, high, Size
Qty.	1 ST		of cable entries: PG 21

Bulkhead housing



The special die-cast alloy and the multi-layered surface sealing provide complete protection for the HDC housings.
 The cleverly designed interlock system is manufactured from stainless steel. This guarantees a long lifespan with high resistance to corrosion and impact.
 The housing interlock system provides integrated safety. Our unique, patented spring system provides the housing interlock with a secure grip and prevents accidental opening.
 The laser marking allows for easy and quick identification. Each housing is permanently labelled with a laser marking so that each product can be quickly designated and positioned.
 Weidmüller RockStar® IP 65 / NEMA Type 4X housings - your first choice for industrial housings with IP 65 protection.

General ordering data

Type	HDC 10B AZO	Version	
Order No.	1901700000		HDC enclosures, Installation size: 4, Protection degree: IP65, in
GTIN (EAN)	4032248592937		plugged condition, Bulkhead housing, Side-locking clamp on lower
Qty.	1 ST		side, Standard, Size of cable entries: none