

HDC 24D TSO 1M25G

Weidmüller Interface GmbH & Co. KG

Klingenbergstraße 26

D-32758 Detmold

Germany

www.weidmueller.com



The special die-cast alloy and the multi-layered surface sealing provide complete protection for the HDC housings.

The cleverly designed interlock system is manufactured from stainless steel. This guarantees a long lifespan with high resistance to corrosion and impact.

The housing interlock system provides integrated safety. Our unique, patented spring system provides the housing interlock with a secure grip and prevents accidental opening.

The laser marking allows for easy and quick identification. Each housing is permanently labelled with a laser marking so that each product can be quickly designated and positioned.

Weidmüller RockStar® IP 65 / NEMA Type 4X housings - your first choice for industrial housings with IP 65 protection.

General ordering data

| | |
|------------|---|
| Version | HDC enclosures, Installation size: 4, Protection degree: IP65, in plugged condition, Cable entry from side, Plug housing, Central locking at the top, high, Size of cable entries: M 25 |
| Order No. | 1903610000 |
| Type | HDC 24D TSO 1M25G |
| GTIN (EAN) | 4032248593002 |
| Qty. | 1 items |

HDC 24D TSZO 1M25G

Weidmüller Interface GmbH & Co. KG
 Klingenbergstraße 26
 D-32758 Detmold
 Germany

www.weidmueller.com

Technical data

Approvals

Approvals



| | |
|-------------------------|----------------------------|
| ROHS | Conform |
| UL File Number Search | UL Website |
| Certificate No. (cURus) | E92202 |

Dimensions and weights

| | | | |
|------------|----------|-----------------|-------------|
| Depth | 100.5 mm | Depth (inches) | 3.9567 inch |
| Height | 72 mm | Height (inches) | 2.8346 inch |
| Width | 57 mm | Width (inches) | 2.2441 inch |
| Net weight | 227.04 g | | |

Temperatures

| | |
|-------------------|-------------------|
| Limit temperature | -40 °C ... 125 °C |
|-------------------|-------------------|

Environmental Product Compliance

| | |
|------------------------|--|
| RoHS Compliance Status | Compliant without exemption |
| REACH SVHC | Potassium perfluorobutane sulfonate 29420-49-3 |
| SCIP | e98b2b24-ba23-41bf-8d19-0dda3647412f |

| | | |
|---------------------|---------------------|-------------------------|
| Chemical resistance | Substance | Acetone |
| | Chemical resistance | Conditionally resistant |
| | Substance | Drilling oil |
| | Chemical resistance | Resistant |
| | Substance | Diesel |
| | Chemical resistance | Resistant |
| | Substance | Ethyl alcohol |
| | Chemical resistance | Resistant |
| | Substance | Transmission oil |
| | Chemical resistance | Resistant |
| | Substance | Hydraulic oil |
| | Chemical resistance | Resistant |
| | Substance | Coolant |
| | Chemical resistance | Resistant |
| | Substance | Petroleum benzene |
| | Chemical resistance | Resistant |
| | Substance | Sweat |
| | Chemical resistance | Resistant |
| | Substance | Premium gasoline |
| | Chemical resistance | Conditionally resistant |
| Substance | Water | |
| Chemical resistance | Resistant | |
| Substance | UV | |
| Chemical resistance | Unstable | |
| Substance | Ozone | |
| Chemical resistance | Unstable | |

Dimensions

| | | | |
|----------------------|-----------|---------------------|-------|
| Cable entry | w. thread | Width housing C | 43 mm |
| Total length housing | 73 mm | Height of housing B | 72 mm |

HDC 24D TSZO 1M25G

Weidmüller Interface GmbH & Co. KG
 Klingenbergstraße 26
 D-32758 Detmold
 Germany

www.weidmueller.com

Technical data

General data

| | | | |
|----------------|----------------|-------------------|----------------------------|
| Surface finish | Powder coating | Protection degree | IP65, in plugged condition |
|----------------|----------------|-------------------|----------------------------|

Version

| | | | |
|--------------------------------|----------------------------|------------------------------|-------------------------------------|
| Size of cable entries | M 25 | Top part/bottom part/lid | upper part |
| Cover | without cover | Number of cable entry on top | 0 |
| Number of cable entry sideways | 1 | Design of housing | Cable entry from side, Plug housing |
| Design of locking system | Central locking at the top | Design | high |
| Installation size | 4 | Cable entry | w. thread |
| Type | Plug | Clamp version | Central-locking clamp |
| Sealing | no sealing | Internal thread | M 25 |
| Colour (RAL) | RAL 7035 | BG | 4 |
| Suitable for ModuPlug® | Yes | | |

Classifications

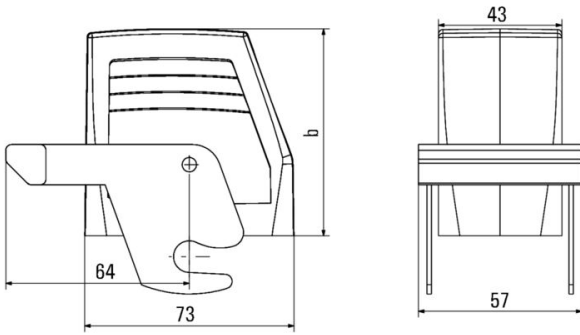
| | | | |
|-------------|-------------|-------------|-------------|
| ETIM 8.0 | EC000437 | ETIM 9.0 | EC000437 |
| ETIM 10.0 | EC000437 | ECLASS 14.0 | 27-44-02-02 |
| ECLASS 15.0 | 27-44-02-02 | | |

HDC 24D TSZO 1M25G

Weidmüller Interface GmbH & Co. KG
Klingenbergstraße 26
D-32758 Detmold
Germany

Drawings

www.weidmueller.com



HDC 24D TSZO 1M25G

Weidmüller Interface GmbH & Co. KG
 Klingenbergstraße 26
 D-32758 Detmold
 Germany

www.weidmueller.com

Accessories

Base housing



The special die-cast alloy and the multi-layered surface sealing provide complete protection for the HDC housings.

The cleverly designed interlock system is manufactured from stainless steel. This guarantees a long lifespan with high resistance to corrosion and impact.

The housing interlock system provides integrated safety. Our unique, patented spring system provides the housing interlock with a secure grip and prevents accidental opening.

The laser marking allows for easy and quick identification. Each housing is permanently labelled with a laser marking so that each product can be quickly designated and positioned.

Weidmüller RockStar® IP 65 / NEMA Type 4X housings - your first choice for industrial housings with IP 65 protection.

General ordering data

| | | | |
|------------|----------------------------|---------|---|
| Type | HDC 24D SZO 2PG21G | Version | |
| Order No. | 1968350000 | | HDC enclosures, Installation size: 4, Protection degree: IP65, in |
| GTIN (EAN) | 4032248689392 | | plugged condition, Base housing, Central locking at the top, high, Size |
| Qty. | 1 ST | | of cable entries: PG 21 |

Bulkhead housing



The special die-cast alloy and the multi-layered surface sealing provide complete protection for the HDC housings.

The cleverly designed interlock system is manufactured from stainless steel. This guarantees a long lifespan with high resistance to corrosion and impact.

The housing interlock system provides integrated safety. Our unique, patented spring system provides the housing interlock with a secure grip and prevents accidental opening.

The laser marking allows for easy and quick identification. Each housing is permanently labelled with a laser marking so that each product can be quickly designated and positioned.

Weidmüller RockStar® IP 65 / NEMA Type 4X housings - your first choice for industrial housings with IP 65 protection.

General ordering data

| | | | |
|------------|----------------------------|---------|---|
| Type | HDC 10B AZO | Version | |
| Order No. | 1901700000 | | HDC enclosures, Installation size: 4, Protection degree: IP65, in |
| GTIN (EAN) | 4032248592937 | | plugged condition, Bulkhead housing, Side-locking clamp on lower |
| Qty. | 1 ST | | side, Standard, Size of cable entries: none |

HDC 24D TSZO 1M25G

Weidmüller Interface GmbH & Co. KG
 Klingenbergstraße 26
 D-32758 Detmold
 Germany

Accessories

www.weidmueller.com

IP68 version



In addition to the extensive range of enclosures, Weidmüller offers a variety of cable glands for a wide range of applications. The cable glands made of brass, plastic and stainless steel meet the most various IP protection classes to suit any industrial enclosure. Depending on the series of cable glands and the application, the cable glands are approved and tested according to VDE, UL, UR, cULus, DNV GL or EN 45545.

General ordering data

| | | |
|------------|----------------------------|---|
| Type | VG M25 - MS 68 | Version |
| Order No. | 1772230000 | VG MS (standard brass cable gland), Cable glands, straight, M 25, 8 |
| GTIN (EAN) | 4032248129881 | mm, OD min. 10 - OD max. 14 mm, IP54, IP66, IP67, IP68 - 5 bar (30 |
| Qty. | 25 ST | min.), IP69K, Brass, nickel-plated |
| Type | VG M25 - K 68 | Version |
| Order No. | 1772310000 | VG K (standard plastic cable gland), Cable glands, straight, M 25, 10 |
| GTIN (EAN) | 4032248129973 | mm, OD min. 13 - OD max. 18 mm, IP54, IP66, IP67, IP68 - 5 bar (30 |
| Qty. | 25 ST | min.), Polyamide 6 |