

HDC 04A ELU 1M20G
Weidmüller Interface GmbH & Co. KG

Klingenbergstraße 26

D-32758 Detmold

Germany

www.weidmueller.com



The special die-cast alloy and the multi-layered surface sealing provide complete protection for the HDC housings.

The cleverly designed interlock system is manufactured from stainless steel. This guarantees a long lifespan with high resistance to corrosion and impact.

The housing interlock system provides integrated safety. Our unique, patented spring system provides the housing interlock with a secure grip and prevents accidental opening.

The laser marking allows for easy and quick identification. Each housing is permanently labelled with a laser marking so that each product can be quickly designated and positioned.

Weidmüller RockStar® IP 65 / NEMA Type 4X housings - your first choice for industrial housings with IP 65 protection.

General ordering data

Version	HDC enclosures, Installation size: 1, Protection degree: IP65, in plugged condition, Screw mounting housing, Side-locking clamp on lower side, Standard, Size of cable entries: M 20
Order No.	1900320000
Type	HDC 04A ELU 1M20G
GTIN (EAN)	4032248592883
Qty.	1 items

HDC 04A ELU 1M20G

Weidmüller Interface GmbH & Co. KG
 Klingenbergstraße 26
 D-32758 Detmold
 Germany

www.weidmueller.com

Technical data

Approvals

Approvals



ROHS	Conform
UL File Number Search	UL Website
Certificate No. (cURus)	E92202

Dimensions and weights

Depth	27 mm	Depth (inches)	1.063 inch
Height	70 mm	Height (inches)	2.7559 inch
Width	37 mm	Width (inches)	1.4567 inch
Net weight	62.48 g		

Temperatures

Limit temperature	-40 °C ... 125 °C
-------------------	-------------------

Environmental Product Compliance

RoHS Compliance Status	Compliant with exemption
RoHS Exemption (if applicable/known)	6c
REACH SVHC	Lead 7439-92-1
SCIP	d447edfa-0214-4f34-b5ba-82eae491b46a

Chemical resistance	Substance	Acetone
	Chemical resistance	Conditionally resistant
	Substance	Drilling oil
	Chemical resistance	Resistant
	Substance	Diesel
	Chemical resistance	Resistant
	Substance	Ethyl alcohol
	Chemical resistance	Resistant
	Substance	Transmission oil
	Chemical resistance	Resistant
	Substance	Hydraulic oil
	Chemical resistance	Resistant
	Substance	Coolant
	Chemical resistance	Resistant
	Substance	Petroleum benzine
	Chemical resistance	Resistant
	Substance	Sweat
	Chemical resistance	Resistant
	Substance	Premium gasoline
	Chemical resistance	Conditionally resistant
Substance	Water	
Chemical resistance	Resistant	
Substance	UV	
Chemical resistance	Unstable	
Substance	Ozone	
Chemical resistance	Unstable	

HDC 04A ELU 1M20G

Weidmüller Interface GmbH & Co. KG
 Klingenbergstraße 26
 D-32758 Detmold
 Germany

www.weidmueller.com

Technical data

Dimensions

Cable entry	w. thread	Width housing C	26.8 mm
Total length housing	26.5 mm	Height of housing B	54 mm

General data

Surface finish	Powder coating	Protection degree	IP65, in plugged condition
----------------	----------------	-------------------	----------------------------

Version

Size of cable entries	M 20	Top part/bottom part/lid	lower part
Cover	without cover	Tightening torque	0.5 Nm
Number of cable entry on top	1	Number of cable entry sideways	0
Design of housing	Screw mounting housing	Design of locking system	Side-locking clamp on lower side
Design	Standard	Installation size	1
Cable entry	w. thread	Type	Plug
Clamp version	Side-locking clamp	Sealing	no sealing
Internal thread	M 20	Colour (RAL)	RAL 7035
BG	1	Suitable for ModuPlug®	No

Classifications

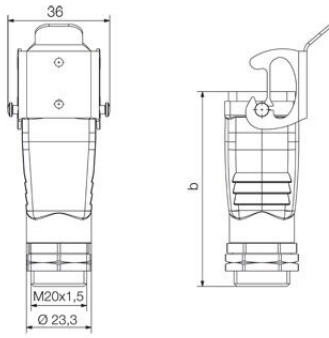
ETIM 8.0	EC000437	ETIM 9.0	EC000437
ETIM 10.0	EC000437	ECLASS 14.0	27-44-02-02
ECLASS 15.0	27-44-02-02		

HDC 04A ELU 1M20G

Weidmüller Interface GmbH & Co. KG
Klingenbergstraße 26
D-32758 Detmold
Germany

www.weidmueller.com

Drawings



HDC 04A ELU 1M20G

Weidmüller Interface GmbH & Co. KG
 Klingenbergstraße 26
 D-32758 Detmold
 Germany

www.weidmueller.com

Accessories

Cover



The special die-cast alloy and the multi-layered surface sealing provide complete protection for the HDC housings.

The cleverly designed interlock system is manufactured from stainless steel. This guarantees a long lifespan with high resistance to corrosion and impact.

The housing interlock system provides integrated safety. Our unique, patented spring system provides the housing interlock with a secure grip and prevents accidental opening.

The laser marking allows for easy and quick identification. Each housing is permanently labelled with a laser marking so that each product can be quickly designated and positioned.

Weidmüller RockStar® IP 65 / NEMA Type 4X housings - your first choice for industrial housings with IP 65 protection.

General ordering data

Type	HDC 04A DODL 2BO	Version
Order No.	1665740000	HDC enclosures, Installation size: 1, Protection degree: IP65, in
GTIN (EAN)	4008190422769	plugged condition, Cover for lower part of housing, Side-locking
Qty.	1 ST	clamp on lower side, Standard
Type	HDC 04A DMDL 2BO	Version
Order No.	1665750000	HDC enclosures, Installation size: 1, Protection degree: IP65, in
GTIN (EAN)	4008190422776	plugged condition, Cover for lower part of housing, Side-locking
Qty.	1 ST	clamp on lower side, Standard