

## SAIL-VSA-DS-3.0U

**Weidmüller Interface GmbH & Co. KG**

Klingenbergstraße 26  
D-32758 Detmold  
Germany

[www.weidmueller.com](http://www.weidmueller.com)



Weidmüller can supply valve plugs as connecting lines with M8/M12 plugs and one end without connector. The status of the valve plug is shown by an LED. The valve plugs have a protective circuit. The Weidmüller range includes valve plugs of type A, B and C to DIN and industry standards. Protection class IP 67 is fulfilled when screwed in. The outlet direction is also a decisive factor, therefore Weidmüller offers different versions.

### General ordering data

Version	Valve cable (assembled), One end without connector - valve plug, Design A (18 mm), Cable length: 3 m, PUR, black (similar to RAL 9005)
Order No.	<a href="#">1896990300</a>
Type	SAIL-VSA-DS-3.0U
GTIN (EAN)	4032248513932
Qty.	1 items

## SAIL-VSA-DS-3.0U

Weidmüller Interface GmbH &amp; Co. KG

Klingenbergstraße 26

D-32758 Detmold

Germany

www.weidmueller.com

## Technical data

## Approvals

Approvals



ROHS Conform

## Dimensions and weights

Net weight 162 g

## Environmental Product Compliance

RoHS Compliance Status Compliant without exemption

REACH SVHC No SVHC above 0.1 wt%

## Technical specifications for cable

Cable length	3 m	Sheathing colour	black (similar to RAL 9005)
PE function	Yes	Suitable for cable carriers	Yes
Core cross-section	0.34 mm <sup>2</sup>	Shielded	No
Halogen	No	Acceleration	5 m/s <sup>2</sup>
Bending radius, min., moving	10 x cable diameter	Bending radius, min., stationary	5 x cable diameter
Speed	200 m/s	Sheath material	PUR
Welding spark resistance	No	Colour coding	blue, brown, Green/yellow, black, white
Temperature range, stationary	-40...90 °C	Resistant to welding beads	No
Temperature range, moving	-30...90 °C	Number of poles	4 (3 + PE)
Outside diameter	5.2 mm ± 0.2 mm		

## General technical data

Coding	Design A (18 mm)	LED	Yes
Version	One end without connector - valve plug	Housing main material	TPU
Contact material	CuZn	Nominal voltage	24 V
Nominal current	4 A	Protection degree	IP67, when screwed in
Pollution severity	3	Temperature range of housing	-25...+80 °C

## Classifications

ETIM 8.0	EC001855	ETIM 9.0	EC001855
ETIM 10.0	EC001855	ECLASS 14.0	27-06-03-12
ECLASS 15.0	27-06-03-12		

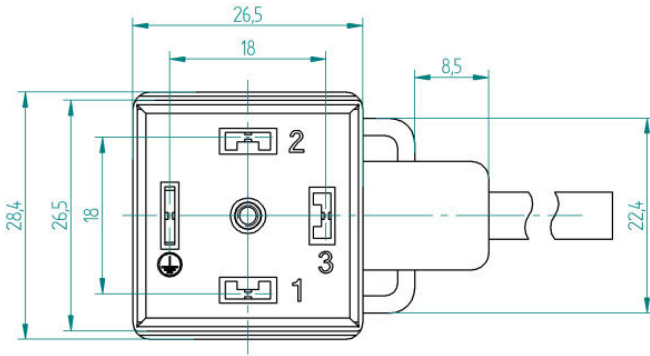
**SAIL-VSA-DS-3.0U**

**Weidmüller Interface GmbH & Co. KG**  
 Klingenbergstraße 26  
 D-32758 Detmold  
 Germany

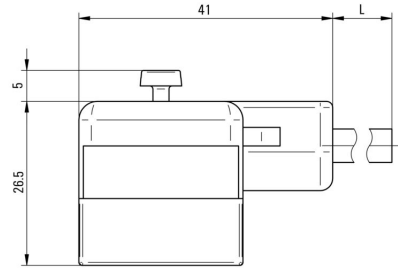
www.weidmueller.com

**Drawings**

**Dimensioned drawing**



**Dimensioned drawing**



**Wiring diagram**

