

SAIL-VSA-DS-1.5U

Weidmüller Interface GmbH & Co. KG

Klingenbergstraße 26
D-32758 Detmold
Germany

www.weidmueller.com



Weidmüller can supply valve plugs as connecting lines with M8/M12 plugs and one end without connector. The status of the valve plug is shown by an LED. The valve plugs have a protective circuit. The Weidmüller range includes valve plugs of type A, B and C to DIN and industry standards. Protection class IP 67 is fulfilled when screwed in. The outlet direction is also a decisive factor, therefore Weidmüller offers different versions.

General ordering data

Version	Valve cable (assembled), One end without connector - valve plug, Design A (18 mm), Cable length: 1.5 m, PUR, black (similar to RAL 9005)
Order No.	1896990150
Type	SAIL-VSA-DS-1.5U
GTIN (EAN)	4032248739189
Qty.	1 items

SAIL-VSA-DS-1.5U

Weidmüller Interface GmbH & Co. KG

Klingenbergstraße 26

D-32758 Detmold

Germany

www.weidmueller.com

Technical data

Approvals

Approvals



ROHS Conform

Dimensions and weights

Net weight 83.6 g

Environmental Product Compliance

RoHS Compliance Status Compliant without exemption

REACH SVHC No SVHC above 0.1 wt%

Technical specifications for cable

Cable length	1.5 m	Sheathing colour	black (similar to RAL 9005)
PE function	Yes	Suitable for cable carriers	Yes
Core cross-section	0.34 mm ²	Shielded	No
Halogen	No	Acceleration	5 m/s ²
Bending radius, min., moving	10 x cable diameter	Bending radius, min., stationary	5 x cable diameter
Speed	200 m/s	Sheath material	PUR
Welding spark resistance	No	Colour coding	blue, brown, Green/yellow, black, white
Temperature range, stationary	-40...90 °C	Resistant to welding beads	No
Temperature range, moving	-30...90 °C	Number of poles	4 (3 + PE)
Outside diameter	5.2 mm ± 0.2 mm		

General technical data

Coding	Design A (18 mm)	LED	Yes
Version	One end without connector - valve plug	Housing main material	TPU
Contact material	CuZn	Nominal voltage	24 V
Nominal current	4 A	Protection degree	IP67, when screwed in
Plugging cycles	≥ 100	Pollution severity	3
Temperature range of housing	-25...+80 °C	Tightening torque	Mounting screw M3: 0.4 Nm, M12: 0.8 - 1.2 Nm

Classifications

ETIM 8.0	EC001855	ETIM 9.0	EC001855
ETIM 10.0	EC001855	ECLASS 14.0	27-06-03-12
ECLASS 15.0	27-06-03-12		

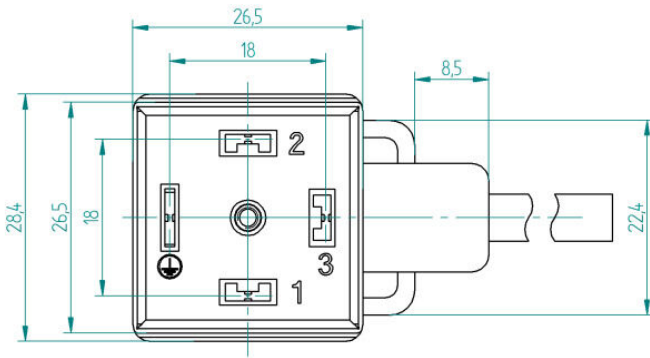
SAIL-VSA-DS-1.5U

Weidmüller Interface GmbH & Co. KG
 Klingenbergstraße 26
 D-32758 Detmold
 Germany

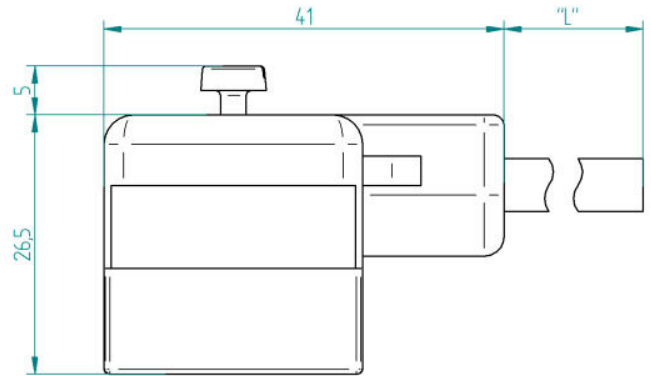
www.weidmueller.com

Drawings

Dimensioned drawing



Dimensioned drawing



Wiring diagram

