

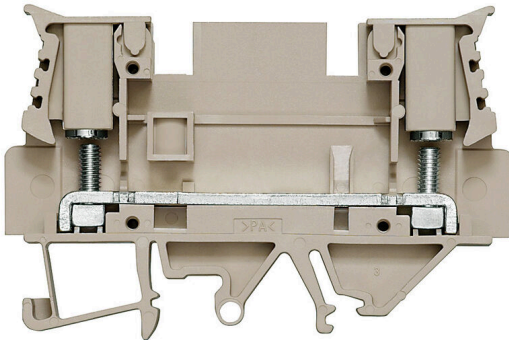
WTD 6/4 FF**Weidmüller Interface GmbH & Co. KG**

Klingenbergstraße 26

D-32758 Detmold

Germany

www.weidmueller.com

Product image**Current and voltage transformer wiring**

Our test disconnect terminal blocks featuring spring and screw connection technology allow you to create all the important converter circuits for measuring current, voltage and power in a safe and sophisticated way.

General ordering data

| | |
|------------|--|
| Version | Feed-through terminal block, Screw connection, dark beige, 6 mm ² , 41 A, 800 V, Number of connections: 2 |
| Order No. | 1887220000 |
| Type | WTD 6/4 FF |
| GTIN (EAN) | 4032248526802 |
| Qty. | 50 items |

WTD 6/4 FF

Weidmüller Interface GmbH & Co. KG
 Klingenbergstraße 26
 D-32758 Detmold
 Germany

www.weidmueller.com

Technical data

Approvals

Approvals



| | |
|-------------------------|----------------------------|
| ROHS | Conform |
| UL File Number Search | UL Website |
| Certificate No. (cURus) | E60693 |

Dimensions and weights

| | | | |
|--------------------------|-------------|----------------|-------------|
| Depth | 52 mm | Depth (inches) | 2.0472 inch |
| Depth including DIN rail | 53.4 mm | Height | 76.5 mm |
| Height (inches) | 3.0118 inch | Width | 11 mm |
| Width (inches) | 0.4331 inch | Net weight | 31.59 g |

Temperatures

| | | | |
|----------------------------------|----------------|----------------------------------|----------------|
| Storage temperature | -25 °C...55 °C | Ambient temperature | -50 °C...75 °C |
| Continuous operating temp., min. | -50 °C | Continuous operating temp., max. | 120 °C |

Environmental Product Compliance

| | |
|------------------------|-----------------------|
| RoHS Compliance Status | Compliant |
| REACH SVHC | No SVHC above 0.1 wt% |

Material data

| | | | |
|---------------------------|-------|--------|------------|
| Basic material | Wemid | Colour | dark beige |
| UL 94 flammability rating | V-0 | | |

System specifications

| | | | |
|-------------------------------------|--|-------------------------------|-----|
| Version | Screw connection, for plug-in cross-connector, One end without connector | End cover plate required | Yes |
| Number of potentials | 1 | Number of levels | 1 |
| Number of clamping points per level | 2 | Number of potentials per tier | 1 |
| Levels cross-connected internally | No | PE connection | No |
| Mounting rail | TS 35, TS 32 | N-function | No |
| PE function | No | PEN function | No |

Additional technical data

| | | | |
|--------------------------|----|------------------|---------|
| Explosion-tested version | No | Type of mounting | Snap-on |
|--------------------------|----|------------------|---------|

CSA rating data

| | | | |
|-----------------------------------|--------|-----------------------------------|----------------|
| Voltage size B (cCSAus) | 600 V | Voltage size C (cCSAus) | 600 V |
| Current size D (cCSAus) | 40 A | Wire cross section min. (cCSAusX) | 26 AWG |
| Current size C (cCSAus) | 40 A | Certificate number (cCSAus) | 227775-1609344 |
| Wire cross section max. (cCSAusX) | 10 AWG | Current size B (cCSAus) | 40 A |
| Voltage size D (cCSAus) | 600 V | | |

WTD 6/4 FF

Weidmüller Interface GmbH & Co. KG
 Klingenbergstraße 26
 D-32758 Detmold
 Germany

www.weidmueller.com

Technical data

Conductors for clamping (additional connection)

Connection type, additional connection Screw connection

Conductors for clamping (rated connection)

| | | | |
|---|---------------------|---|---------------------|
| Wire connection cross section AWG, max. | AWG 10 | Connection direction | on side |
| Tightening torque, max. | 2.4 Nm | Tightening torque, min. | 1.2 Nm |
| Stripping length | 8 mm | Type of connection | Screw connection |
| Number of connections | 2 | Clamping range, max. | 6 mm ² |
| Clamping range, min. | 1.5 mm ² | Clamping screw | M 4 |
| Blade size | 0.8 x 5.5 mm | Wire connection cross section AWG, min. | AWG 16 |
| Wire connection cross-section, finely stranded with wire-end ferrules DIN 46228/4, max. | 6 mm ² | Wire connection cross-section, finely stranded with wire-end ferrules DIN 46228/4, min. | 1.5 mm ² |
| Wire connection cross-section, finely stranded with wire-end ferrules DIN 46228/1, max. | 6 mm ² | Wire connection cross-section, finely stranded with wire-end ferrules DIN 46228/1, min. | 1.5 mm ² |
| Wire connection cross section, finely stranded, max. | 6 mm ² | Wire connection cross section, finely stranded, min. | 1.5 mm ² |
| Connection cross-section, stranded, max. | 6 mm ² | Connection cross-section, stranded, min. | 1.5 mm ² |
| Wire connection cross-section, solid core, max. | 10 mm ² | Wire connection cross-section, solid core, min. | 1.5 mm ² |
| Connection cross-section, finely stranded, min. | 1.5 mm ² | | |

Dimensions

| | | | |
|--------------|---------|--------------|---------|
| TS 32 offset | 38.5 mm | TS 35 offset | 38.5 mm |
|--------------|---------|--------------|---------|

General

| | | | |
|---|---------------|---|--------------|
| Wire connection cross section AWG, max. | AWG 10 | Wire connection cross section AWG, min. | AWG 16 |
| Standards | IEC 60947-7-1 | Mounting rail | TS 35, TS 32 |

Rating data

| | | | |
|--|-------------------|---------------------------------|---------------|
| Rated cross-section | 6 mm ² | Rated voltage | 800 V |
| Rated DC voltage | 800 V | Nominal current | 41 A |
| Current at maximum wires | 41 A | Standards | IEC 60947-7-1 |
| Volume resistance according to IEC 60947-7-x | 0.78 mΩ | Rated impulse withstand voltage | 8 kV |
| Power loss in accordance with IEC 60947-7-x | 1.31 W | Pollution severity | 3 |

UL rating data

| | | | |
|--|--------|--|--------|
| Conductor size Factory wiring max. (cURus) | 10 AWG | Voltage size B (cURus) | 600 V |
| Certificate No. (cURus) | E60693 | Conductor size Field wiring min. (cURus) | 26 AWG |
| Conductor size Factory wiring min. (cURus) | 26 AWG | Current size B (cURus) | 30 A |
| Voltage size C (cURus) | 600 V | Current size C (cURus) | 30 A |
| Conductor size Field wiring max. (cURus) | 10 AWG | | |

Technical data

Classifications

| | | | |
|-------------|-------------|-------------|-------------|
| ETIM 8.0 | EC000897 | ETIM 9.0 | EC000897 |
| ETIM 10.0 | EC000897 | ECLASS 14.0 | 27-25-01-01 |
| ECLASS 15.0 | 27-25-01-01 | | |

Drawings



WTD 6/4 FF

Weidmüller Interface GmbH & Co. KG
 Klingenbergstraße 26
 D-32758 Detmold
 Germany

www.weidmueller.com

Accessories

Cross-connections



The distribution or multiplication of a potential to adjoining terminal blocks is realized via a cross-connection. Additional wiring effort can be easily avoided. Even if the poles are broken out, contact reliability in the terminal blocks is still ensured. Our portfolio offers pluggable and screwable cross-connection systems for modular terminal blocks.

General ordering data

| | | |
|------------|----------------------------|--|
| Type | ZQV 10/2 | Version |
| Order No. | 1739680000 | Accessories, Cross-connector, 57 A |
| GTIN (EAN) | 4008190957131 | |
| Qty. | 25 ST | |
| Type | Q 2 WTL6/4FF | Version |
| Order No. | 1897110000 | Cross-connector (terminal), when screwed in, Silver grey, 41 A, |
| GTIN (EAN) | 4032248514083 | Number of poles: 2, Pitch in mm (P): 11.00, Insulated: No, Width: 2 |
| Qty. | 100 ST | mm |
| Type | Q 4 WTL 6/4FF | Version |
| Order No. | 1897130000 | Cross-connector (terminal), when screwed in, Silver grey, 41 A, |
| GTIN (EAN) | 4032248514106 | Number of poles: 4, Pitch in mm (P): 11.00, Insulated: No, Width: 2 |
| Qty. | 100 ST | mm |
| Type | Q 10 WTL 6/4FF | Version |
| Order No. | 1897190000 | Cross-connector (terminal), when screwed in, Silver grey, 41 A, |
| GTIN (EAN) | 4032248514168 | Number of poles: 10, Pitch in mm (P): 11.00, Insulated: No, Width: 2 |
| Qty. | 50 ST | mm |

Accessorie



Current and voltage transformer wiring
 Our test disconnect terminal blocks featuring spring and screw connection technology allow you to create all the important converter circuits for measuring current, voltage and power in a safe and sophisticated way.

General ordering data

| | | |
|------------|----------------------------|---|
| Type | QL 2 WTL6/4FF | Version |
| Order No. | 1897010000 | Cross-connector (terminal), when screwed in, Silver grey, 41 A, |
| GTIN (EAN) | 4032248513987 | Number of poles: 2, Pitch in mm (P): 11.00, Insulated: No, Width: 2 |
| Qty. | 100 ST | mm |

WTD 6/4 FF

Weidmüller Interface GmbH & Co. KG

Klingenbergstraße 26

D-32758 Detmold

Germany

Accessories

www.weidmueller.com

Cross-connections



The distribution or multiplication of a potential to adjoining terminal blocks is realized via a cross-connection. Additional wiring effort can be easily avoided. Even if the poles are broken out, contact reliability in the terminal blocks is still ensured. Our portfolio offers pluggable and screwable cross-connection systems for modular terminal blocks.

General ordering data

| | | |
|------------|----------------------------|---|
| Type | QL 3 WTL6/4FF | Version |
| Order No. | 1897020000 | Cross-connector (terminal), when screwed in, Silver grey, 41 A, |
| GTIN (EAN) | 4032248513994 | Number of poles: 3, Pitch in mm (P): 11.00, Insulated: No, Width: 2 |
| Qty. | 100 ST | mm |

Accessorie



Current and voltage transformer wiring
Our test disconnect terminal blocks featuring spring and screw connection technology allow you to create all the important converter circuits for measuring current, voltage and power in a safe and sophisticated way.

General ordering data

| | | |
|------------|----------------------------|--|
| Type | QL 4 WTL6/4FF | Version |
| Order No. | 1897030000 | Cross-connector (terminal), when screwed in, Silver grey, 41 A, |
| GTIN (EAN) | 4032248514007 | Number of poles: 4, Pitch in mm (P): 11.00, Insulated: No, Width: 2 |
| Qty. | 100 ST | mm |
| Type | QL 10 WTL 6/4 FF | Version |
| Order No. | 1897090000 | Cross-connector (terminal), when screwed in, Silver grey, 41 A, |
| GTIN (EAN) | 4032248514069 | Number of poles: 10, Pitch in mm (P): 11.00, Insulated: No, Width: 2 |
| Qty. | 100 ST | mm |
| Type | WAP WTL6/4FF | Version |
| Order No. | 1887240000 | End plate for terminals, dark beige, Height: 68.5 mm, Width: 1.5 mm, |
| GTIN (EAN) | 4032248526819 | V-0, Wemid, Snap-on: No |
| Qty. | 20 ST | |

WTD 6/4 FF

Weidmüller Interface GmbH & Co. KG

Klingenbergstraße 26

D-32758 Detmold

Germany

Accessories

www.weidmueller.com

End bracket



Weidmüller's range of products includes end brackets that guarantee a permanent, reliable mounting on the terminal rail and prevent sliding. Versions with and without screws are available. The end brackets include marking options, also for group markers, and also a test plug holder.

General ordering data

| | | | |
|------------|----------------------------|--|--|
| Type | WEW 35/2 | Version | |
| Order No. | 1061200000 | End bracket, dark beige, TS 35, HB, Wemid, Width: 8 mm, 100 °C | |
| GTIN (EAN) | 4008190030230 | | |
| Qty. | 50 ST | | |

Cross-connections



The distribution or multiplication of a potential to adjoining terminal blocks is realized via a cross-connection. Additional wiring effort can be easily avoided. Even if the poles are broken out, contact reliability in the terminal blocks is still ensured. Our portfolio offers pluggable and screwable cross-connection systems for modular terminal blocks.

General ordering data

| | | | |
|------------|----------------------------|--|--|
| Type | VH 13.5/4.9/3.3 | Version | |
| Order No. | 0248500000 | Connecting sleeve (terminal), when screwed in, Width: 4.9 mm, Height: 4.9 mm, Depth: 13.5 mm, Number of poles: 1, Copper | |
| GTIN (EAN) | 4008190022723 | | |
| Qty. | 100 ST | | |
| Type | KISC M3X20.5/10 EK4 | Version | |
| Order No. | 0303000000 | Clamping yoke, Mounting screw, Steel | |
| GTIN (EAN) | 4008190163686 | | |
| Qty. | 100 ST | | |

Disconnect plugs



In contrast to the terminal blocks with integrated disconnect lever, our disconnect plugs can be completely detached or removed from the terminal block and the respective application and offer a flexible alternative solution to our standard disconnectors.

WTD 6/4 FF

Weidmüller Interface GmbH & Co. KG
 Klingenbergstraße 26
 D-32758 Detmold
 Germany

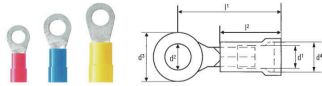
www.weidmueller.com

Accessories

General ordering data

| | | | |
|------------|----------------------------|---|--|
| Type | QS 2/12/4 | Version | |
| Order No. | 0270760000 | Cross-connector (terminal), Plugged, beige, 44 A, Number of poles: 2, | |
| GTIN (EAN) | 4008190011420 | Pitch in mm (P): 12.00, Insulated: Yes, Width: 12 mm | |
| Qty. | 20 ST | | |

Ring cable lugs



Insulated ring-cable connector made from PVC

- Commercially available designs
- Not soldered
- With conical entry funnel

General ordering data

| | | | |
|------------|----------------------------|---|--|
| Type | LIR 1,5M4 V | Version | |
| Order No. | 9200090000 | cable lug, terminal end, Insulated cable connector, 1.5 mm ² , 0.5 mm ² - | |
| GTIN (EAN) | 4032248409853 | 1.5 mm ² | |
| Qty. | 100 ST | | |
| Type | LIR 2,5M4 V | Version | |
| Order No. | 9200170000 | cable lug, terminal end, Insulated cable connector, 2.5 mm ² , 1.5 mm ² - | |
| GTIN (EAN) | 4032248409792 | 2.5 mm ² | |
| Qty. | 100 ST | | |
| Type | LIR 6M4 V | Version | |
| Order No. | 9200230000 | cable lug, terminal end, Insulated cable connector, 6 mm ² , 4 mm ² - 6 | |
| GTIN (EAN) | 4032248410057 | mm ² | |
| Qty. | 100 ST | | |

Slotted screwdriver



VDE insulated slot-head screwdriver, SDI DIN 7437, ISO 2380/2, drive output acc. to DIN 5264, ISO 2380/1. SoftFinish grip

General ordering data

| | | | |
|------------|----------------------------|--------------------------|--|
| Type | SDIS 0.6X3.5X100 | Version | |
| Order No. | 9008390000 | Screwdriver, Screwdriver | |
| GTIN (EAN) | 4032248056354 | | |
| Qty. | 1 ST | | |

WTD 6/4 FF

Weidmüller Interface GmbH & Co. KG
 Klingenbergstraße 26
 D-32758 Detmold
 Germany

www.weidmueller.com

Accessories

Crimping tools



Crimping tools for insulated connectors
 cable lugs, terminal pins, parallel and serial connectors,
 plug-in connectors

- Ratchet guarantees precise crimping
- Release option in the event of incorrect operation
- With stop for exact positioning of the contacts.
- Tested to DIN EN 60352 part 2

General ordering data

| | | | |
|------------|----------------------------|---|--|
| Type | CTI 6 | Version | |
| Order No. | 9006120000 | Pressing tool, Crimping tool for contacts, 0.5mm ² , 6mm ² , Oval | |
| GTIN (EAN) | 4008190044527 | crimping, Double crimp | |
| Qty. | 1 ST | | |

Testadapter and testsockets



Test adapters and test plugs are used for the electrical
 connection between terminal blocks and the test
 equipment. In this way, an electrical contact can be
 established in the wired state and measurements can be
 done easily.

General ordering data

| | | | |
|------------|----------------------------|--------------------------------|--|
| Type | PS 4 F.STB 4 | Version | |
| Order No. | 0299600000 | Test adapter (terminal), 230 V | |
| GTIN (EAN) | 4008190074043 | | |
| Qty. | 20 ST | | |

Accessorie



Current and voltage transformer wiring
 Our test disconnect terminal blocks featuring spring
 and screw connection technology allow you to create all
 the important converter circuits for measuring current,
 voltage and power in a safe and sophisticated way.

General ordering data

| | | | |
|------------|----------------------------|---|--|
| Type | WQB 10 WTL 6/4 FF | Version | |
| Order No. | 2550780000 | Cross-connector (terminal), when screwed in, orange, 41 A, Number | |
| GTIN (EAN) | 4050118560640 | of poles: 10, Pitch in mm (P): 11.10, Insulated: Yes, Width: 106.9 mm | |
| Qty. | 10 ST | | |

WTD 6/4 FF

Weidmüller Interface GmbH & Co. KG
 Klingenbergstraße 26
 D-32758 Detmold
 Germany

www.weidmueller.com

Accessories

Cross-connections



The distribution or multiplication of a potential to adjoining terminal blocks is realized via a cross-connection. Additional wiring effort can be easily avoided. Even if the poles are broken out, contact reliability in the terminal blocks is still ensured. Our portfolio offers pluggable and screwable cross-connection systems for modular terminal blocks.

General ordering data

| | | |
|------------|----------------------------|---|
| Type | WQB 12 WTL 6/4 FF | Version |
| Order No. | 2552080000 | Cross-connector (terminal), when screwed in, orange, 41 A, Number of poles: 12, Pitch in mm (P): 11.10, Insulated: Yes, Width: 129.1 mm |
| GTIN (EAN) | 4050118577655 | |
| Qty. | 10 ST | |
| Type | WQB 2 WTL 6/4 FF | Version |
| Order No. | 2550640000 | Cross-connector (terminal), when screwed in, orange, 41 A, Number of poles: 2, Pitch in mm (P): 11.10, Insulated: Yes, Width: 18.2 mm |
| GTIN (EAN) | 4050118560503 | |
| Qty. | 10 ST | |
| Type | WQB 3 WTL 6/4 FF | Version |
| Order No. | 2550740000 | Cross-connector (terminal), when screwed in, orange, 41 A, Number of poles: 3, Pitch in mm (P): 11.10, Insulated: Yes, Width: 29.3 mm |
| GTIN (EAN) | 4050118560602 | |
| Qty. | 10 ST | |
| Type | WQB 4 WTL 6/4 FF | Version |
| Order No. | 2550750000 | Cross-connector (terminal), when screwed in, orange, 41 A, Number of poles: 4, Pitch in mm (P): 11.10, Insulated: Yes, Width: 40.4 mm |
| GTIN (EAN) | 4050118560619 | |
| Qty. | 10 ST | |

Accessorie



Current and voltage transformer wiring
 Our test disconnect terminal blocks featuring spring and screw connection technology allow you to create all the important converter circuits for measuring current, voltage and power in a safe and sophisticated way.

General ordering data

| | | |
|------------|----------------------------|---|
| Type | WQB 5 WTL 6/4 FF | Version |
| Order No. | 2550760000 | Cross-connector (terminal), when screwed in, orange, 41 A, Number of poles: 5, Pitch in mm (P): 11.10, Insulated: Yes, Width: 51.5 mm |
| GTIN (EAN) | 4050118560626 | |
| Qty. | 10 ST | |

WTD 6/4 FF

Weidmüller Interface GmbH & Co. KG

Klingenbergstraße 26

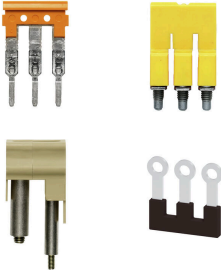
D-32758 Detmold

Germany

Accessories

www.weidmueller.com

Cross-connections

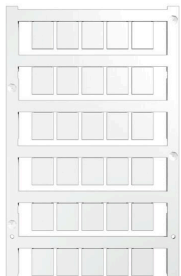


The distribution or multiplication of a potential to adjoining terminal blocks is realized via a cross-connection. Additional wiring effort can be easily avoided. Even if the poles are broken out, contact reliability in the terminal blocks is still ensured. Our portfolio offers pluggable and screwable cross-connection systems for modular terminal blocks.

General ordering data

| | | |
|------------|----------------------------|---|
| Type | WQB 6 WTL 6/4 FF | Version |
| Order No. | 2551490000 | Cross-connector (terminal), when screwed in, orange, 41 A, Number of poles: 6, Pitch in mm (P): 11.10, Insulated: Yes, Width: 62.6 mm |
| GTIN (EAN) | 4050118577648 | |
| Qty. | 10 ST | |
| Type | WQB 7 WTL 6/4 FF | Version |
| Order No. | 2550770000 | Cross-connector (terminal), when screwed in, orange, 41 A, Number of poles: 7, Pitch in mm (P): 11.10, Insulated: Yes, Width: 73.7 mm |
| GTIN (EAN) | 4050118560633 | |
| Qty. | 10 ST | |

Blank



WS markers are the perfect match for the W-series connectors. Thanks to their system compatibility, the WS tags can also be used with the I-series and the Z-series. The large marking surfaces do not only permit long character strings but also multi-line text. WS markers are ideal for labels with long, customised character strings. Thanks to the proven MultiCard format, printing with PrintJet CONNECT oder/or Plotter is possible.

- Can be fitted in strips or individually
- Markers in proven MultiCard format

For custom printing: Please send us a file of our labeling software M-Print PRO or M-Print PRO Online (without installation) for your labeling specifications.

General ordering data

| | | |
|------------|----------------------------|-------------------------------|
| Type | WS 12/9.5-11 MC NE WS | Version |
| Order No. | 2484220000 | , Polyamide 66, Colour: white |
| GTIN (EAN) | 4050118494808 | |
| Qty. | 300 ST | |

WTD 6/4 FF

Weidmüller Interface GmbH & Co. KG

Klingenbergstraße 26

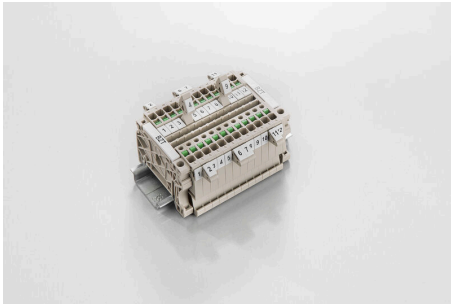
D-32758 Detmold

Germany

www.weidmueller.com

Accessories

Marker holder



The marker holder offer the possibility of additional mounting of standard markers with a pitch of 5 or 5.1 mm. The angled holders can be optionally snapped together and could be mounted in all standard marking channels of the Klippon® Connect modular terminal blocks. Fitting marker types could be found under the respective accessories of the designation marking holder.

General ordering data

| | | | |
|------------|----------------------------|----------------------------|--|
| Type | BZT 1 WS 10/5 | Version | |
| Order No. | 1805490000 | Accessories, Marker holder | |
| GTIN (EAN) | 4032248270231 | | |
| Qty. | 100 ST | | |
| Type | BZT 1 ZA WS 10/5 | Version | |
| Order No. | 1805520000 | Accessories, Marker holder | |
| GTIN (EAN) | 4032248270248 | | |
| Qty. | 100 ST | | |