

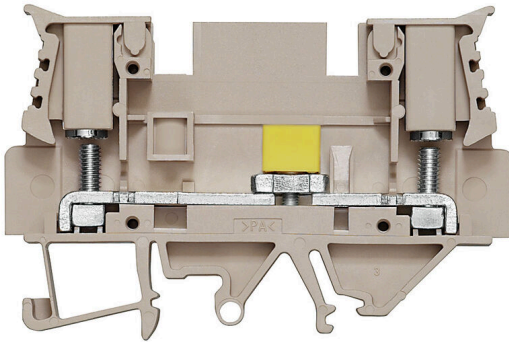
WTL 6/4 FF**Weidmüller Interface GmbH & Co. KG**

Klingenbergstraße 26

D-32758 Detmold

Germany

www.weidmueller.com

Product image**Current and voltage transformer wiring**

Our test disconnect terminal blocks featuring spring and screw connection technology allow you to create all the important converter circuits for measuring current, voltage and power in a safe and sophisticated way.

General ordering data

Version	Measuring transformer disconnect terminal, Screw connection, 500, 41, 2
Order No.	1887210000
Type	WTL 6/4 FF
GTIN (EAN)	4032248526796
Qty.	50 items

WTL 6/4 FF

Weidmüller Interface GmbH & Co. KG

Klingenbergstraße 26

D-32758 Detmold

Germany

www.weidmueller.com

Technical data

Approvals

Approvals



ROHS Conform

UL File Number Search [UL Website](#)

Certificate No. (cURus) E60693

Dimensions and weights

Depth	52 mm	Depth (inches)	2.0472 inch
Depth including DIN rail	53.4 mm	Height	76.5 mm
Height (inches)	3.0118 inch	Width	11 mm
Width (inches)	0.4331 inch	Net weight	35.69 g

Temperatures

Storage temperature	-25 °C...55 °C	Ambient temperature	-5 °C...40 °C
Continuous operating temp., min.	-50 °C	Continuous operating temp., max.	120 °C

Environmental Product Compliance

RoHS Compliance Status	Compliant
REACH SVHC	No SVHC above 0.1 wt%

Material data

Basic material	Wemid	Colour	dark beige
UL 94 flammability rating	V-0		

System specifications

Version	Screw connection, Spacer, for plug-in cross-connector, for screwable cross-connection, One end without connector	End cover plate required	Yes
Number of potentials	1	Number of levels	1
Number of clamping points per level	2	Number of potentials per tier	1
Levels cross-connected internally	No	PE connection	No
Mounting rail	TS 35	N-function	No
PE function	No	PEN function	No

Additional technical data

Type of mounting	Snap-on
------------------	---------

CSA rating data

Voltage size B (cCSAus)	600 V	Voltage size C (cCSAus)	600 V
Current size D (cCSAus)	40 A	Wire cross section min. (cCSAusX)	26 AWG
Current size C (cCSAus)	40 A	Certificate number (cCSAus)	227775-1609344
Wire cross section max. (cCSAusX)	10 AWG	Current size B (cCSAus)	40 A
Voltage size D (cCSAus)	600 V		

WTL 6/4 FF

Weidmüller Interface GmbH & Co. KG

Klingenbergstraße 26
D-32758 Detmold
Germany

www.weidmueller.com

Technical data

Conductors for clamping (additional connection)

Connection type, additional connection Screw connection

Conductors for clamping (rated connection)

Wire connection cross section AWG, max.	AWG 10	Connection direction	on side
Tightening torque, max.	2.4 Nm	Tightening torque, min.	1.2 Nm
Stripping length	8 mm	Type of connection	Screw connection
Number of connections	2	Clamping range, max.	6 mm ²
Clamping range, min.	0.5 mm ²	Clamping screw	M 4
Blade size	0.8 x 5.5 mm	Wire connection cross section AWG, min.	AWG 20
Wire connection cross-section, finely stranded with wire-end ferrules DIN 46228/4, min.	0.5 mm ²	Wire connection cross-section, finely stranded with wire-end ferrules DIN 46228/1, min.	0.5 mm ²
Wire connection cross section, finely stranded, max.	6 mm ²	Wire connection cross section, finely stranded, min.	0.5 mm ²
Connection cross-section, stranded, max.	6 mm ²	Connection cross-section, stranded, min.	0.5 mm ²
Wire connection cross-section, solid core, max.	10 mm ²	Wire connection cross-section, solid core, min.	0.5 mm ²

Dimensions

TS 35 offset 38.5 mm

General

Wire connection cross section AWG, max.	AWG 10	Wire connection cross section AWG, min.	AWG 20
Mounting rail	TS 35		

Rating data

Rated cross-section	6 mm ²	Rated voltage	500 V
Rated DC voltage	800 V	Nominal current	41 A
Current at maximum wires	41 A	Volume resistance according to IEC 60947-7-x	0.78 mΩ
Rated impulse withstand voltage	8 kV	Power loss in accordance with IEC 60947-7-x	1.31 W
Pollution severity	3		

UL rating data

Conductor size Factory wiring max. (cURus)	10 AWG	Voltage size B (cURus)	600 V
Certificate No. (cURus)	E60693	Conductor size Field wiring min. (cURus)	26 AWG
Conductor size Factory wiring min. (cURus)	26 AWG	Current size B (cURus)	30 A
Voltage size C (cURus)	600 V	Current size C (cURus)	30 A
Conductor size Field wiring max. (cURus)	10 AWG		

Classifications

ETIM 8.0	EC000902	ETIM 9.0	EC000902
ETIM 10.0	EC000902	ECLASS 14.0	27-25-01-09
ECLASS 15.0	27-25-01-09		

Drawings

