

**SAI-Y-5S M12/M12 2BO**

**Weidmüller Interface GmbH & Co. KG**  
Klingenbergstraße 26  
D-32758 Detmold  
Germany

[www.weidmueller.com](http://www.weidmueller.com)



**General ordering data**

Version	Y connector, M12 / M12
Order No.	<a href="#">1881710000</a>
Type	SAI-Y-5S M12/M12 2BO
GTIN (EAN)	4032248484522
Qty.	1 items

## SAI-Y-5S M12/M12 2BO

Weidmüller Interface GmbH &amp; Co. KG

Klingenbergstraße 26

D-32758 Detmold

Germany

www.weidmueller.com

## Technical data

## Approvals

Approvals



ROHS Conform

## Dimensions and weights

Net weight 49 g

## Environmental Product Compliance

RoHS Compliance Status	Compliant with exemption
RoHS Exemption (if applicable/known)	6c
REACH SVHC	Lead 7439-92-1
SCIP	4060c755-8d0b-4d43-bdb3-4ffabe9d7497

## Connection data

Group outlet - plug-in connector	M12 pin	Single outlet 1 - plug-in connector	M12 socket
Single outlet 2 - plug-in connector	M12 socket	Tightening torque	M12: 0.8 - 1.2 Nm

## Technical data customisable plug-in connectors

Number of poles	5	Coding	A-coded
Contact surface	Gold-plated	Housing main material	TPU
Insulation resistance	≥ 100 MΩ	Contact material	CuZn
Nominal voltage	60 V	Nominal current	4 A
Protection degree	IP65, IP67, IP68	Plugging cycles	≥ 100
Pollution severity	3	Shield connection	No
Threaded ring material	Nickel-plated CuZn	Temperature range of housing	-30...+90 °C

## Standards

Connector standard	IEC 61076-2-101, IEC 61076-2-104
--------------------	----------------------------------

## General data

Number of poles	5	Coding	A-coded
Connection thread	M12 / M12	Contact surface	Gold-plated
Housing main material	TPU	Insulation resistance	≥ 100 MΩ
Contact material	CuZn	Nominal voltage	60 V
Nominal current	4 A	AF size	13 mm
Protection degree	IP65, IP67, IP68	Plugging cycles	≥ 100
Pollution severity	3	Connection 1	M12/M12
Connection 2	Screw	Shield connection	No
Temperature range of housing	-30...+90 °C	Conductor O.D.	-

## Classifications

ETIM 8.0	EC002925	ETIM 9.0	EC002925
ETIM 10.0	EC002925	ECLASS 14.0	27-44-01-06
ECLASS 15.0	27-44-01-06		

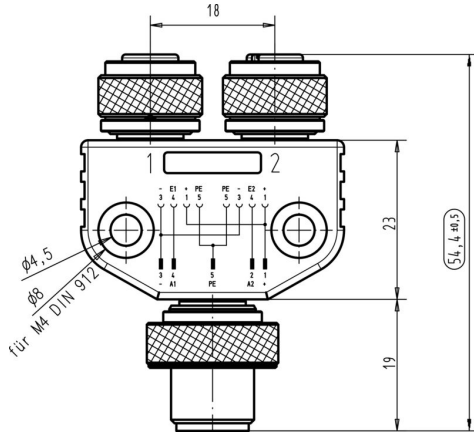
**SAI-Y-5S M12/M12 2BO**

**Weidmüller Interface GmbH & Co. KG**  
 Klingenbergstraße 26  
 D-32758 Detmold  
 Germany

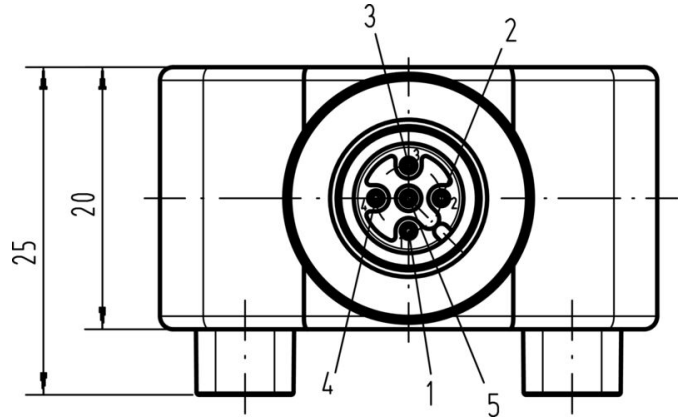
www.weidmueller.com

**Drawings**

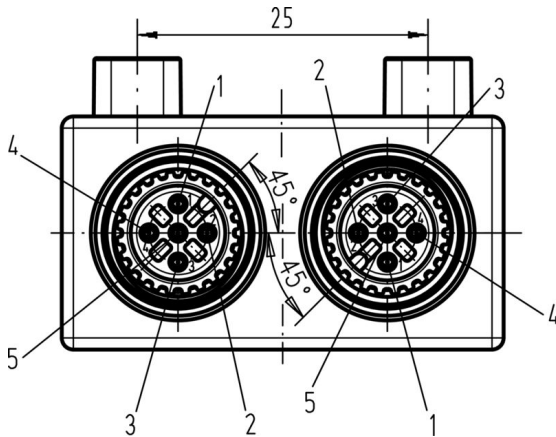
**Dimensioned drawing**



**Dimensioned drawing**



**Dimensioned drawing**



**Wiring diagram**

