

HDC HE 10 MP**Weidmüller Interface GmbH & Co. KG**

Klingenbergstraße 26

D-32758 Detmold

Germany

www.weidmueller.com

PUSH IN 

The PUSH IN connection is a direct-insert method of connection. The preprocessed wire can be inserted directly into the wire connection without the need for any tools.

Number of poles: 10

Rated current: 16 A

Rated voltage: 500 V

Nominal voltage acc. to UL/CSA: 600 V AC/DC

General ordering data

Version	HDC insert, Male, 500 V, 16 A, Number of poles: 10, PUSH IN, Installation size: 4
Order No.	1873550000
Type	HDC HE 10 MP
GTIN (EAN)	4032248458165
Qty.	1 items

HDC HE 10 MP

Weidmüller Interface GmbH & Co. KG
 Klingenbergstraße 26
 D-32758 Detmold
 Germany

www.weidmueller.com

Technical data

Approvals

Approvals



ROHS	Conform
UL File Number Search	UL Website
Certificate No. (cURus)	E310075

Dimensions and weights

Depth	64 mm	Depth (inches)	2.5197 inch
Height	34.3 mm	Height (inches)	1.3504 inch
Width	34 mm	Width (inches)	1.3386 inch
Net weight	56 g		

Temperatures

Limit temperature	-40 °C ... 125 °C
-------------------	-------------------

Environmental Product Compliance

RoHS Compliance Status	Compliant with exemption
RoHS Exemption (if applicable/known)	6c
REACH SVHC	Lead 7439-92-1, Potassium perfluorobutane sulfonate 29420-49-3
SCIP	b67daa31-7dca-434d-8290-da7fb52f83a2

Chemical resistance	Substance	Acetone
	Chemical resistance	Resistant
	Substance	Ammonia, watery
	Chemical resistance	Conditionally resistant
	Substance	Petrol
	Chemical resistance	Resistant
	Substance	Benzene
	Chemical resistance	Resistant
	Substance	Diesel oil
	Chemical resistance	Conditionally resistant
	Substance	Acetic acid, concentrated
	Chemical resistance	Resistant
	Substance	Potassium hydroxide
	Chemical resistance	Conditionally resistant
	Substance	Methanol
	Chemical resistance	Conditionally resistant
	Substance	Motor oil
	Chemical resistance	Conditionally resistant
	Substance	Lye, diluted
	Chemical resistance	Resistant
Substance	Hydrochlorofluorocarbons	
Chemical resistance	Conditionally resistant	
Substance	Outdoor use	
Chemical resistance	Conditionally resistant	

Dimensions

Width	34 mm	Total length base	64 mm
Height of socket	33.8 mm	Height of plug	34.3 mm

HDC HE 10 MP

Weidmüller Interface GmbH & Co. KG
 Klingenbergstraße 26
 D-32758 Detmold
 Germany

www.weidmueller.com

Technical data

General data

Number of poles	10	
Plugging cycles, silver	≥ 500	
Plugging cycles, gold	≥ 500	
Type of connection	PUSH IN	
Installation size	4	
UL 94 flammability rating	V-0	
Volume resistance	≤2 mΩ	
Colour	beige	
Insulation resistance	1010 Ω	
Insulating material	PC glass-fibre reinforced (UL-listed and railway-certified)	
Insulating material group	IIIa	
Tightening torque, max. PE connection	1.5 Nm	
Surface finish	Silver passivated	
Type	Male	
Pollution severity	3	
Tightening torque, min. PE connection	1.2 Nm	
Basic material	Copper alloy	
Series	HE	
Rated voltage (DIN EN 61984)	500 V	
Rated voltage according to UL/CSA	600 V AC/DC	
Rated impulse voltage (DIN EN 61984)	6 kV	
Rated current (DIN EN 61984)	16 A	
Rated current (UR)	Wire connection cross section AWG	AWG 12
	Rated current	20 A
	Wire connection cross section AWG	AWG 14
	Rated current	15 A
	Wire connection cross section AWG	AWG 16
	Rated current	10 A
	Wire connection cross section AWG	AWG 18
	Rated current	7 A
	Wire connection cross section AWG	AWG 20
	Rated current	5 A
Rated current (cUR)	Wire connection cross section AWG	AWG 12
	Rated current	19 A
	Wire connection cross section AWG	AWG 14
	Rated current	16 A
	Wire connection cross section AWG	AWG 16
	Rated current	12.5 A
	Wire connection cross section AWG	AWG 18
	Rated current	9.8 A
	Wire connection cross section AWG	AWG 20
	Rated current	8 A
Free from halogens	true	
Low smoke acc. DIN EN 45545-2	Yes	
BG	4	
Number of signal contacts	0	
Number of power contacts	10	

Rating data IECEx/ATEX

Certificate No. (IECEX)	IECEXUR24.0077X	Current (IECEX)	3 A
Current (ATEX)	3 A	Certificate No. (ATEX)	TUEV24ATEX9197X
Wire cross section max. (IECEX)	4 mm ²	Max. voltage (ATEX)	250 V
Wire cross section max. (ATEX)	4 mm ²	Max. voltage (IECEX)	250 V

HDC HE 10 MP

Weidmüller Interface GmbH & Co. KG

Klingenbergstraße 26
D-32758 Detmold
Germany

www.weidmueller.com

Technical data

Connection data PE

Connection type PE	Screw connection	Blade size, slotted (PE connection)	SD 0.8 x 4.0
Stripping length PE connection	10 mm	Tightening torque, max. PE connection	1.5 Nm
Tightening torque, min. PE connection	1.2 Nm	Fixing screw	M 4
Rated cross-section	4 mm ²	Wire cross section, AWG (PE), min.	AWG 20
Wire cross section, AWG (PE), max.	AWG 12		

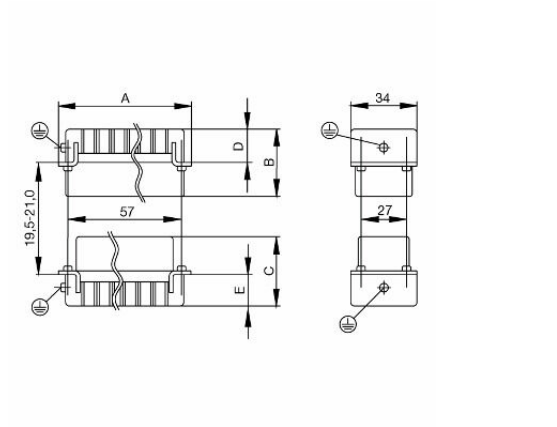
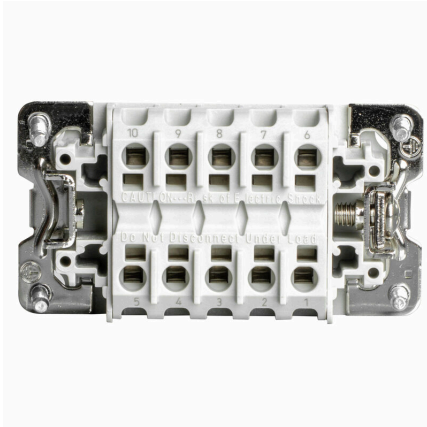
Version

Blade size, slotted (screw connection)	SD 0.5 x 3.0	Stripping length, rated connection	10 mm
Type of connection	PUSH IN	Installation size	4
Volume resistance	≤2 mΩ	Wire cross-section, solid, max.	2.5 mm ²
Wire cross-section, solid, min.	0.5 mm ²	Wire connection cross-section, finely stranded with wire-end ferrules DIN 46228/4, max.	1.5 mm ²
Wire connection cross-section, finely stranded with wire-end ferrules DIN 46228/1, max.	2.5 mm ²	Wire connection cross-section, finely stranded with wire-end ferrules DIN 46228/1, min.	0.5 mm ²
Wire connection cross section, finely stranded, max.	2.5 mm ²	Wire connection cross section, finely stranded, min.	0.5 mm ²
Conductor cross-section, max.	2.5 mm ²	Conductor cross-section, min.	0.5 mm ²
Surface finish	Silver passivated	Basic material	Copper alloy
BG	4		

Classifications

ETIM 8.0	EC000438	ETIM 9.0	EC000438
ETIM 10.0	EC000438	ECLASS 14.0	27-44-02-05
ECLASS 15.0	27-44-02-05		

Drawings



HDC HE 10 MP

Weidmüller Interface GmbH & Co. KG

Klingenbergstraße 26

D-32758 Detmold

Germany

www.weidmueller.com

Accessories

Slotted screwdriver



VDE insulated slot-head screwdriver, SDI DIN 7437, ISO 2380/2, drive output acc. to DIN 5264, ISO 2380/1. SoftFinish grip

General ordering data

Type	SDIS 0.4X2.5X75	Version
Order No.	9008370000	Screwdriver, Screwdriver
GTIN (EAN)	4032248056330	
Qty.	1 ST	
Type	SDS 0.4X2.5X75	Version
Order No.	9009030000	Screwdriver, Screwdriver
GTIN (EAN)	4032248266944	
Qty.	1 ST	
Type	SDIS 0.6X3.5X100	Version
Order No.	9008390000	Screwdriver, Screwdriver
GTIN (EAN)	4032248056354	
Qty.	1 ST	
Type	SDS 0.6X3.5X100	Version
Order No.	9008330000	Screwdriver, Screwdriver
GTIN (EAN)	4032248056286	
Qty.	1 ST	
Type	SDIS 0.8X4.0X100	Version
Order No.	9008400000	Screwdriver, Screwdriver
GTIN (EAN)	4032248056361	
Qty.	1 ST	
Type	SDS 0.8X4.0X100	Version
Order No.	9008340000	Screwdriver, Screwdriver
GTIN (EAN)	4032248056293	
Qty.	1 ST	

Crosshead screwdriver Phillips



VDE insulated crosshead screwdriver, for Phillips screws, SDIK PH DIN 7438, ISO 8764/2-PH, output to ISO 8764-PH, SoftFinish grip

HDC HE 10 MP

Weidmüller Interface GmbH & Co. KG
 Klingenbergstraße 26
 D-32758 Detmold
 Germany

www.weidmueller.com

Accessories

General ordering data

Type	SDIK PH1	Version
Order No.	9008570000	Screwdriver, Screwdriver
GTIN (EAN)	4032248056569	
Qty.	1 ST	
Type	SDK PH1	Version
Order No.	9008480000	Screwdriver, Screwdriver
GTIN (EAN)	4032248056477	
Qty.	1 ST	

DSTV

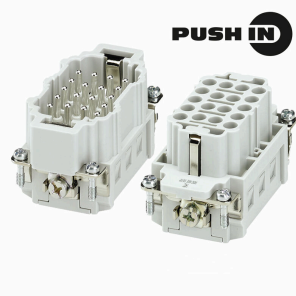
Various accessories are available for our inserts. This includes coding elements for the inserts.



General ordering data

Type	DSTV COBU5	Version
Order No.	1471500000	Heavy-duty connectors, Accessories, Coding element
GTIN (EAN)	4008190178543	
Qty.	100 ST	
Type	DSTV COST4	Version
Order No.	1471300000	Heavy-duty connectors, Accessories, Coding System
GTIN (EAN)	4008190017354	
Qty.	100 ST	

Size 4



The HEE series features high-density contacts and is designed based on the established HE inserts. The wire connection level is designed as a PUSH IN contact.
 Number of poles: 10 - 64
 Rated current: 16 A
 Rated voltage: 500 V

General ordering data

Type	HDC HEE 18 MP	Version
Order No.	3023920000	HDC insert, Male, 500 V, 16 A, Number of poles: 18, PUSH IN with actuator, Installation size: 4
GTIN (EAN)	4099986946507	
Qty.	1 ST	
Type	HDC HE 10 FP	Version
Order No.	1873540000	HDC insert, Female, 500 V, 16 A, Number of poles: 10, PUSH IN, Installation size: 4
GTIN (EAN)	4032248458158	
Qty.	1 ST	