

**SAI-4-SH 5P FC****Weidmüller Interface GmbH & Co. KG**

Klingenbergstraße 26

D-32758 Detmold

Germany

www.weidmueller.com



Whereas the standard M12 system requires the sleeves to be laboriously screwed on and that operation is hindered by the vibration guard, M12 Push-Pull works with one click, just like those well-known garden hose systems. The audible locking function guarantees a safe and reliable connection as well as a good seal. The new SAI M12 Push-Pull distributors can be used with M12 plug-in connectors but also with the new M12 Push-Pull plug-in connectors.

**General ordering data**

Version	with M23 outlet, 19-pole, M12, 30 V, A-coded, LED: Yes, LED initiator: Yes, Wiring type:
Order No.	<a href="#">1859130000</a>
Type	SAI-4-SH 5P FC
GTIN (EAN)	4032248411085
Qty.	1 items

## SAI-4-SH 5P FC

Weidmüller Interface GmbH & Co. KG  
Klingenbergstraße 26  
D-32758 Detmold  
Germany

www.weidmueller.com

## Technical data

## Approvals

Approvals



ROHS Conform

UL File Number Search [UL Website](#)

Certificate No. (cURus) E92202

## Dimensions and weights

Height	34.3 mm	Height (inches)	1.3504 inch
Width	54 mm	Width (inches)	2.126 inch
Net weight	174.24 g		

## Temperatures

Operating temperature -25 - 80

## Environmental Product Compliance

RoHS Compliance Status	Compliant with exemption
RoHS Exemption (if applicable/known)	6c
REACH SVHC	Lead 7439-92-1
SCIP	4060c755-8d0b-4d43-bdb3-4ffabe9d7497

## Connection data

Sheathing stripping length 100 mm Distributor outlet with M23 outlet, 19-pole

## Electrical data

Rated voltage, min.	10 V	Rated voltage, max.	30 V
Test voltage	1 kV	Max. current-carrying capacity per slot	4 A
Total current	9 A	Current per signal	2 A
Electrical isolation available	No	Insulation resistance	109 Ω

## General technical data

Protection degree	IP67	Plug-in station coding	A-coded
Number of poles	4	Number of contact sockets	4
Connection thread	M12	Pollution severity	3
Fire behaviour	V-0	LED	Yes
LED initiator	Yes	LED colour for indicating operation	green
LED colour for I/O function	yellow		

## Material data

Housing main material	PA 6 GF	Material of distributor	Plastic
Housing colour	grey, RAL 7032	Screw socket	Nickel-plated CuZn
Contact material	CuZn	Contact surface	Gold-plated
Contact carrier material	PBT (UL 94 V0)		

## Technical data cable

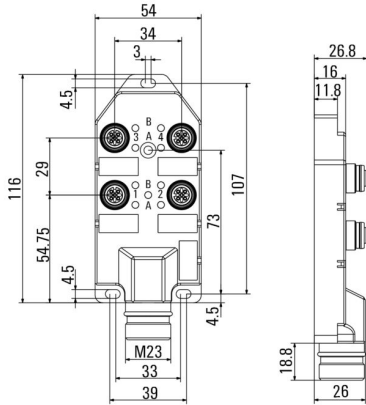
Number of poles 4

**Technical data**

**Classifications**

ETIM 8.0	EC003558	ETIM 9.0	EC003558
ETIM 10.0	EC003558	ECLASS 14.0	27-44-01-11
ECLASS 15.0	27-44-01-11		

Dimensioned drawing



Wiring diagram

