

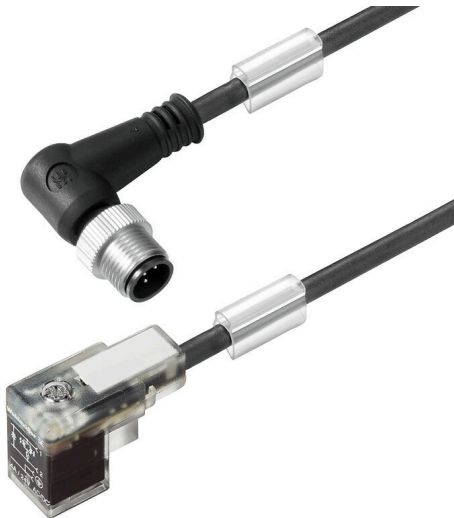
SAIL-VSCD-M12W-5.0U
Weidmüller Interface GmbH & Co. KG

Klingenbergstraße 26

D-32758 Detmold

Germany

www.weidmueller.com



Weidmüller can supply valve plugs as connecting lines with M8/M12 plugs and one end without connector. The status of the valve plug is shown by an LED. The valve plugs have a protective circuit. The Weidmüller range includes valve plugs of type A, B and C to DIN and industry standards. Protection class IP 67 is fulfilled when screwed in. The outlet direction is also a decisive factor, therefore Weidmüller offers different versions.

General ordering data

| | |
|------------|--|
| Version | Valve cable (assembled), 90°; plug - valve plug, DIN design C (8 mm), M12 = A-coded, Cable length: 5 m, PUR, black |
| Order No. | 1857730500 |
| Type | SAIL-VSCD-M12W-5.0U |
| GTIN (EAN) | 4032248404179 |
| Qty. | 1 items |

SAIL-VSCD-M12W-5.0U

Weidmüller Interface GmbH & Co. KG

Klingenbergstraße 26

D-32758 Detmold

Germany

www.weidmueller.com

Technical data

Approvals

Approvals



ROHS Conform

Dimensions and weights

Net weight 278 g

Environmental Product Compliance

RoHS Compliance Status Compliant

REACH SVHC Lead 7439-92-1

SCIP e8d8af70-4c85-4483-bc8c-9bc5b598e2a9

Technical specifications for cable

| | | | |
|-------------------------------|---------------------------|----------------------------------|---------------------|
| Cable length | 5 m | Sheathing colour | black |
| Suitable for cable carriers | Yes | Core cross-section | 0.5 mm ² |
| Shielded | No | Halogen | No |
| Insulation | PP | Acceleration | 5 m/s ² |
| Bending radius, min., moving | 10 x cable diameter | Bending radius, min., stationary | 5 x cable diameter |
| Bending cycles | 2 Mio | Speed | 200 m/s |
| Sheath material | PUR | Welding spark resistance | No |
| Colour coding | brown, blue, Green/yellow | Torsion resistance | 0 °/m |
| Temperature range, stationary | -50...80 °C | Resistant to welding beads | No |
| Temperature range, moving | -25...80 °C | Number of poles | 3 |
| Outside diameter | 4.6 mm ± 0.2 mm | | |

General technical data

| | | | |
|------------------------------|------------------------------------|---|---|
| Coding | DIN design C (8 mm), M12 = A-coded | Connection thread | Miscellaneous |
| Contact surface | tinned | LED | Yes |
| Version | 90° plug - valve plug | Contact material | CuZn |
| Nominal voltage | 24 V | Nominal current | 4 A |
| Protection degree | IP67, when screwed in | All valve plugs are fitted with protective circuits | Zener diode |
| Temperature range of housing | -25...+80 °C | Tightening torque | Mounting screw M3: 0.4 Nm, M2.5 mounting screw: 0.3 Nm, M12: 0.8 - 1.2 Nm |

Classifications

| | | | |
|-------------|-------------|-------------|-------------|
| ETIM 8.0 | EC001855 | ETIM 9.0 | EC001855 |
| ETIM 10.0 | EC001855 | ECLASS 14.0 | 27-06-03-12 |
| ECLASS 15.0 | 27-06-03-12 | | |

SAIL-VSCD-M12W-5.0U

Weidmüller Interface GmbH & Co. KG
 Klingenbergstraße 26
 D-32758 Detmold
 Germany

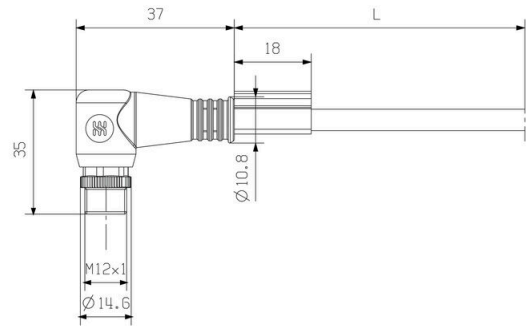
www.weidmueller.com

Drawings

Dimensioned drawing



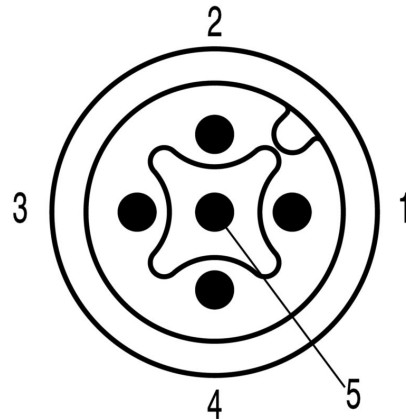
Dimensioned drawing



Pole scheme



Pole scheme



Wiring diagram

