

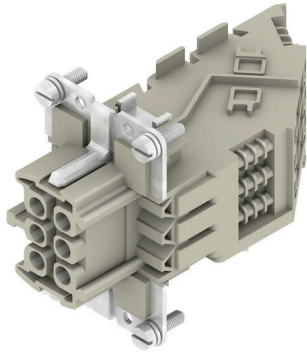
DSTV HE BR6 S**Weidmüller Interface GmbH & Co. KG**

Klingenbergstraße 26

D-32758 Detmold

Germany

www.weidmueller.com



A heavy-duty connector consists of a connector insert and its protective housing. The insert is therefore the heart of the heavy-duty connector. It is responsible for electrical functioning. Connector inserts from Weidmüller are made from high-quality insulation materials, which allow secure transmission of high voltages in a tight space. Moreover, we use only a single type of plastic in our entire product line. This plastic is UL listed, and suitable for railway applications. This allows unlimited worldwide use of the RockStar® connector.

General ordering data

| | |
|------------|---|
| Version | HDC insert, Female, 500 V, 16 A, Number of poles: 6, Screw connection, Installation size: 3 |
| Order No. | 1848600000 |
| Type | DSTV HE BR6 S |
| GTIN (EAN) | 4032248371914 |
| Qty. | 10 items |

DSTV HE BR6 S

Weidmüller Interface GmbH & Co. KG

Klingenbergstraße 26

D-32758 Detmold

Germany

www.weidmueller.com

Technical data

Approvals

Approvals



ROHS Conform

UL File Number Search [UL Website](#)

Certificate No. (UR) E92202

Dimensions and weights

Net weight 91.8 g

Environmental Product Compliance

RoHS Compliance Status Compliant with exemption

RoHS Exemption (if applicable/known) 6c

REACH SVHC Lead 7439-92-1

SCIP d0694b55-f1aa-4d24-a200-c532c6ffc384

General data

| | | | |
|---------------------------------------|-------------------|---------------------------------------|---|
| Number of poles | 6 | Tightening torque | 0.5 Nm |
| Plugging cycles, silver | ≥ 200 | Type of connection | Screw connection |
| Installation size | 3 | UL 94 flammability rating | V-0 |
| Volume resistance | ≤3 mΩ | Colour | beige |
| Insulation resistance | 1010 Ω | Insulating material | PC glass-fibre reinforced (UL-listed and railway-certified) |
| Insulating material group | IIIa | Tightening torque, max. PE connection | 1.6 Nm |
| Surface finish | Silver passivated | Max. torque for main contact | 0.7 Nm |
| Type | Female | Pollution severity | 3 |
| Tightening torque, min. PE connection | 1.2 Nm | Basic material | Copper alloy |
| Min. torque for main contact | 0.5 Nm | Series | DSTV-HE |
| Rated voltage (DIN EN 61984) | 500 V | Rated voltage according to UL/CSA | 600 V AC/DC |
| Rated impulse voltage (DIN EN 61984) | 6 kV | Rated current (DIN EN 61984) | 16 A |
| Free from halogens | false | Low smoke acc. DIN EN 45545-2 | Yes |
| BG | 3 | | |

Connection data PE

| | | | |
|---------------------------------------|------------------|---------------------------------------|-------------------|
| Connection type PE | Screw connection | Blade size, slotted (PE connection) | SD 0.8 x 4.0 |
| Stripping length PE connection | 10 mm | Blade size, crosshead | size PZ1 |
| Tightening torque, max. PE connection | 1.6 Nm | Tightening torque, min. PE connection | 1.2 Nm |
| Fixing screw | M 4 | Rated cross-section | 4 mm ² |
| Wire cross section, AWG (PE), min. | AWG 20 | Wire cross section, AWG (PE), max. | AWG 12 |

Version

| | | | |
|--|--------------|---|------------------|
| Blade size, slotted (screw connection) | SD 0.6 x 3.5 | Wire connection cross section AWG, max. | AWG 12 |
| Stripping length, rated connection | 12 mm | Type of connection | Screw connection |
| Installation size | 3 | Volume resistance | ≤3 mΩ |
| Clamping screw | M 3 | Blade size | size PZ0 |

DSTV HE BR6 S

Weidmüller Interface GmbH & Co. KG

Klingenbergstraße 26
D-32758 Detmold
Germany

www.weidmueller.com

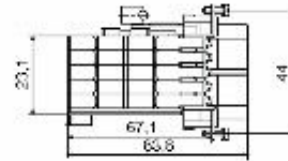
Technical data

| | | | |
|---|---------------------|---|-------------------|
| Wire connection cross section AWG, min. | AWG 20 | Wire cross-section, solid, max. | 4 mm ² |
| Wire cross-section, solid, min. | 0.5 mm ² | Wire connection cross-section, finely stranded with wire-end ferrules DIN 46228/4, max. | 4 mm ² |
| Wire connection cross-section, finely stranded with wire-end ferrules DIN 46228/4, min. | 0.5 mm ² | Wire connection cross section, finely stranded, max. | 4 mm ² |
| Wire connection cross section, finely stranded, min. | 0.5 mm ² | Conductor cross-section, max. | 4 mm ² |
| Conductor cross-section, min. | 0.5 mm ² | Surface finish | Silver passivated |
| Max. torque for main contact | 0.7 Nm | Basic material | Copper alloy |
| Min. torque for main contact | 0.5 Nm | BG | 3 |

Classifications

| | | | |
|-------------|-------------|-------------|-------------|
| ETIM 8.0 | EC002311 | ETIM 9.0 | EC002311 |
| ETIM 10.0 | EC002311 | ECLASS 14.0 | 27-44-02-03 |
| ECLASS 15.0 | 27-44-02-03 | | |

Drawings



DSTV HE BR6 S

Weidmüller Interface GmbH & Co. KG

Klingenbergstraße 26

D-32758 Detmold

Germany

www.weidmueller.com

Accessories

Slotted screwdriver



VDE insulated slot-head screwdriver, SDI DIN 7437, ISO 2380/2, drive output acc. to DIN 5264, ISO 2380/1. SoftFinish grip

General ordering data

| | | |
|------------|----------------------------|--------------------------|
| Type | SDIS 0.6X3.5X100 | Version |
| Order No. | 9008390000 | Screwdriver, Screwdriver |
| GTIN (EAN) | 4032248056354 | |
| Qty. | 1 ST | |
| Type | SDS 0.6X3.5X100 | Version |
| Order No. | 9008330000 | Screwdriver, Screwdriver |
| GTIN (EAN) | 4032248056286 | |
| Qty. | 1 ST | |
| Type | SDIS 0.8X4.0X100 | Version |
| Order No. | 9008400000 | Screwdriver, Screwdriver |
| GTIN (EAN) | 4032248056361 | |
| Qty. | 1 ST | |
| Type | SDS 0.8X4.0X100 | Version |
| Order No. | 9008340000 | Screwdriver, Screwdriver |
| GTIN (EAN) | 4032248056293 | |
| Qty. | 1 ST | |

Blank



MultiFit is the Weidmüller marker system used for other makes of terminals. Similar to the Weidmüller Dekafix, the markers of the MultiFit family are available ready-for-use with standard printing.

We recommend to carry out a test with sample markers on the terminals used when using MultiFit for the first time.

- One marker, suitable for different makes of terminals.
- Ready-to-use markers with standard printing
- Blank markers for printing with the PrintJet CONNECT or Plotter
- Delivery of individually printed markers according to customer CAE data or specifications
- One marking system for all applications

For custom printing: Please send us a file of our labeling software M-Print PRO or M-Print PRO Online (without installation) for your labeling specifications.

General ordering data

| | | |
|------------|----------------------------|--|
| Type | MF 10/6 MC NE WS | Version |
| Order No. | 1677220000 | MultiFit, Terminal marker, 10 x 6 mm, Pitch in mm (P): 6.00 Phoenix, |
| GTIN (EAN) | 4008190475529 | Wieland, Legrand, Telemecanique, Entelec, white |
| Qty. | 600 ST | |

DSTV HE BR6 S

Weidmüller Interface GmbH & Co. KG
Klingenbergstraße 26
D-32758 Detmold
Germany

www.weidmueller.com

Accessories

| | | |
|------------|----------------------------|--|
| Type | MF 12/5 MC NE WS | Version |
| Order No. | 1677180000 | MultiFit, Terminal marker, 12 x 5 mm, Pitch in mm (P): 5.00 Phoenix, |
| GTIN (EAN) | 4008190470579 | Wieland, Legrand, Telemecanique, Entelec, WAGO, white |
| Qty. | 600 ST | |