



Whereas the standard M12 system requires the sleeves to be laboriously screwed on and that operation is hindered by the vibration guard, M12 Push-Pull works with one click, just like those well-known garden hose systems. The audible locking function guarantees a safe and reliable connection as well as a good seal. The new SAI M12 Push-Pull distributors can be used with M12 plug-in connectors but also with the new M12 Push-Pull plug-in connectors.

General ordering data

Version	with M23 outlet, 12-pole, M12, 30 V, A-coded, LED: Yes, LED initiator: Yes, Wiring type: PNP
Order No.	1847960000
Type	SAI-4-S 4P FC
GTIN (EAN)	4032248369157
Qty.	1 items

SAI-4-S 4P FC

Weidmüller Interface GmbH & Co. KG
Klingenbergstraße 26
D-32758 Detmold
Germany

www.weidmueller.com

Technical data

Approvals

Approvals



ROHS Conform

UL File Number Search [UL Website](#)

Certificate No. (cURus) E92202

Dimensions and weights

Depth	116 mm	Depth (inches)	4.5669 inch
Height	34.3 mm	Height (inches)	1.3504 inch
Width	54 mm	Width (inches)	2.126 inch
Net weight	179 g		

Temperatures

Operating temperature -25 - 80°C

Environmental Product Compliance

RoHS Compliance Status Compliant without exemption

REACH SVHC No SVHC above 0.1 wt%

Connection data

Sheathing stripping length 100 mm Distributor outlet with M23 outlet, 12-pole

Electrical data

Rated voltage, min.	10 V	Rated voltage, max.	30 V
Test voltage	1 kV	Max. current-carrying capacity per slot	4 A
Total current	9 A	Current per signal	2 A
Electrical isolation available	No	Insulation resistance	109 Ω

General technical data

Protection degree	IP67	Plug-in station coding	A-coded
Number of poles	4	Number of contact sockets	4
Connection thread	M12	Pollution severity	3
Fire behaviour	V-0	LED	Yes
LED initiator	Yes	LED colour for indicating operation	green
LED colour for I/O function	yellow		

Material data

Housing main material	PA 6 GF	Material of distributor	Plastic
Housing colour	grey, RAL 7032	Screw socket	Nickel-plated CuZn
Contact material	CuZn	Contact surface	Gold-plated
Contact carrier material	PBT (UL 94 V0)		

Technical data cable

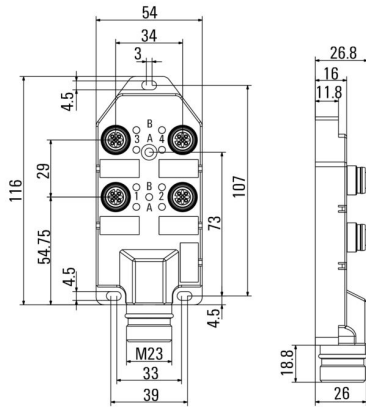
Number of poles 4 Suitable for cable carriers No

Technical data

Classifications

ETIM 8.0	EC003558	ETIM 9.0	EC003558
ETIM 10.0	EC003558	ECLASS 14.0	27-44-01-11
ECLASS 15.0	27-44-01-11		

Dimensioned drawing



Wiring diagram

