

**SAI-06L-VPFC-3A-M08L-PNP-10U02**

**Weidmüller Interface GmbH & Co. KG**  
Klingenbergstraße 26  
D-32758 Detmold  
Germany

www.weidmueller.com



The new slim M8 line from Weidmüller. This range of products is characterised by the marking options at all connection positions. Even the 4-way distributor with 8-pole M12 has adequately large markers at all M8 connection positions. Furthermore, this distributor is shorter than many conventional M8 designs.

- Very narrow, short and flat M8 distributor.
- The range is supplied with 4 to 12 M8 connection positions, 3 or 4 poles.
- Hybrid variants of the M8 are also possible on request.
- The M8 line is equipped with transverse holes.

**General ordering data**

|            |   |
|------------|---|
| Version    | Fixed cable version, M8, 30 V, , LED: Yes, LED initiator: Yes, Wiring type: PNP, 10 m |
| Order No.  | <a href="#">1828690000</a>  |
| Type       | SAI-06L-VPFC-3A-M08L-PNP-10U02  |
| GTIN (EAN) | 4032248335336   |
| Qty.       | 1 items   |

## SAI-06L-VPFC-3A-M08L-PNP-10U02

Weidmüller Interface GmbH & Co. KG  
Klingenbergstraße 26  
D-32758 Detmold  
Germany

www.weidmueller.com

## Technical data

## Approvals

Approvals



ROHS Conform

UL File Number Search [UL Website](#)

Certificate No. (cURus) E92202

## Dimensions and weights

|            |         |                 |             |
|------------|---------|-----------------|-------------|
| Depth      | 18.2 mm | Depth (inches)  | 0.7165 inch |
| Height     | 118 mm  | Height (inches) | 4.6457 inch |
| Width      | 24 mm   | Width (inches)  | 0.9449 inch |
| Net weight | 771 g   |                 |             |

## Temperatures

Operating temperature -25 - 80°C

## Environmental Product Compliance

RoHS Compliance Status Compliant without exemption

REACH SVHC No SVHC above 0.1 wt%

## Connection data

Sheathing stripping length 100 mm Distributor outlet Fixed cable version

## Electrical data

|                                |      |   |       |
|--------------------------------|------|---|-------|
| Rated voltage, min.            | 10 V | Rated voltage, max.                     | 30 V  |
| Test voltage                   | 1 kV | Max. current-carrying capacity per slot | 2 A   |
| Total current                  | 6 A  | Current per signal                      | 1 A   |
| Electrical isolation available | No   | Insulation resistance                   | 109 Ω |

## General technical data

|                                     |       |                             |        |
|-------------------------------------|-------|-----------------------------|--------|
| Protection degree                   | IP68  | Number of poles             | 3      |
| Number of contact sockets           | 6     | Connection thread           | M8     |
| Pollution severity                  | 3     | Fire behaviour              | V-0    |
| LED                                 | Yes   | LED initiator               | Yes    |
| LED colour for indicating operation | green | LED colour for I/O function | yellow |

## Material data

|                         |                    |                          |                             |
|-------------------------|--------------------|--------------------------|-----------------------------|
| Material O-Ring         | FKM                | Housing main material    | PBT                         |
| Material of distributor | Plastic            | Housing colour           | black (similar to RAL 9005) |
| Screw socket            | Nickel-plated CuZn | Contact material         | CuZn                        |
| Contact surface         | Gold-plated        | Contact carrier material | PBT (UL 94 V0)              |

## Technical data cable

|                 |        |                  |       |
|-----------------|--------|------------------|-------|
| Number of poles | 3      | Sheathing colour | black |
| O.D.            | 7.2 mm | Shielded         | No    |

Creation date 24.02.2026 11:56:19 MEZ

Catalogue status / Drawings

**SAI-06L-VPFC-3A-M08L-PNP-10U02**

**Weidmüller Interface GmbH & Co. KG**  
Klingenbergstraße 26  
D-32758 Detmold  
Germany

[www.weidmueller.com](http://www.weidmueller.com)

**Technical data**

|                             |       |                                   |   |
|-----------------------------|-------|-----------------------------------|---|
| Halogen                     | No    | Bending radius, min., moving      | 10 x cable diameter                                 |
| Bending cycles              | 2 Mio | Wire cross section (Print/Online) | 6 x 0.34 mm <sup>2</sup> + 2 x 0.75 mm <sup>2</sup> |
| Sheath material             | PUR   | Cable length                      | 10 m  |
| Suitable for cable carriers | Yes   |                                   |   |

**Classifications**

|             |             |             |             |
|-------------|-------------|-------------|-------------|
| ETIM 8.0    | EC002585    | ETIM 9.0    | EC002585    |
| ETIM 10.0   | EC002585    | ECLASS 14.0 | 27-44-01-08 |
| ECLASS 15.0 | 27-44-01-08 |             |             |

SAI-06L-VPFC-3A-M08L-PNP-10U02

Weidmüller Interface GmbH & Co. KG  
 Klingenbergstraße 26  
 D-32758 Detmold  
 Germany

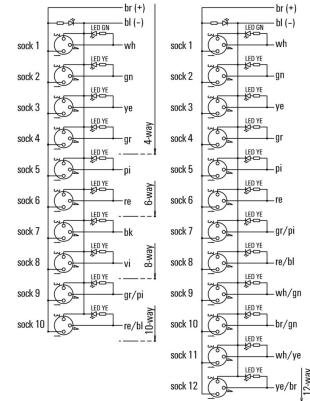
Drawings

www.weidmueller.com

Dimensioned drawing



Wiring diagram



Pole scheme

