

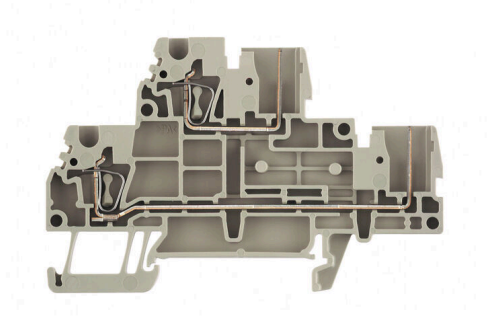
**ZDT 2.5/2****Weidmüller Interface GmbH & Co. KG**

Klingenbergstraße 26

D-32758 Detmold

Germany

www.weidmueller.com

**Product image**

Some applications demand for a pluggable, modular solution to be more flexible or to facilitate the installation. Where complete functional units have to be prefabricated or replaced, modular and flexible connection systems are required. Our pluggable terminal blocks can be quickly assembled and are completely factory tested.

**General ordering data**

Version	Z-series, Plug-in modular terminals, Rated cross-section: 2.5 mm <sup>2</sup> , Tension-clamp connection, dark beige
Order No.	<a href="#">1815150000</a>
Type	ZDT 2.5/2
GTIN (EAN)	4032248340774
Qty.	50 items

Technical data

Approvals

Approvals



ROHS	Conform
UL File Number Search	<a href="#">UL Website</a>
Certificate No. (cURus)	E60693

Dimensions and weights

Depth	52 mm	Depth (inches)	2.0472 inch
Depth including DIN rail	52.5 mm	Height	80.5 mm
Height (inches)	3.1693 inch	Width	5.1 mm
Width (inches)	0.2008 inch	Net weight	9.67 g

Temperatures

Storage temperature	-25 °C...55 °C	Ambient temperature	-5 °C...40 °C
Continuous operating temp., min.	-50 °C	Continuous operating temp., max.	120 °C

Environmental Product Compliance

RoHS Compliance Status	Compliant without exemption
REACH SVHC	No SVHC above 0.1 wt%

Material data

Basic material	Wemid	Colour	dark beige
UL 94 flammability rating	V-0		

System specifications

Version	2 tension-clamp connections - 2 plug-in connections, pluggable	End cover plate required	Yes
Number of potentials	2	Number of levels	2
Number of clamping points per level	4	Levels cross-connected internally	No
PE connection	No	Mounting rail	TS 35
PE function	No		

Additional technical data

Open sides	right	Explosion-tested version	No
Type of mounting	Snap-on		

CSA rating data

Voltage size C (cCSAus)	300 V	Current size D (cCSAus)	5 A
Wire cross section min. (cCSAusX)	26 AWG	Current size C (cCSAus)	20 A
Certificate number (cCSAus)	154685-1460993	Wire cross section max. (cCSAusX)	12 AWG
Voltage size D (cCSAus)	600 V		

## ZDT 2.5/2

**Weidmüller Interface GmbH & Co. KG**

Klingenbergstraße 26

D-32758 Detmold

Germany

www.weidmueller.com

## Technical data

### Conductors for clamping (additional connection)

Conductor cross-section, flexible plus plastic collar DIN 46228/1, further connection, max.	2.5 mm <sup>2</sup>	Connection type, additional connection	pluggable
---	---------------------	--	-----------

### Conductors for clamping (rated connection)

Gauge to IEC 60947-1	A2		
Wire connection cross section AWG, max.	AWG 12		
Connection direction	top		
Stripping length	10 mm		
Type of connection	Tension-clamp connection		
Number of connections	4		
Clamping range, max.	4 mm <sup>2</sup>		
Clamping range, min.	0.13 mm <sup>2</sup>		
Blade size	0.6 x 3.5 mm		
Wire connection cross section AWG, min.	AWG 26		
Wire connection cross-section, finely stranded with wire-end ferrules DIN 46228/4, max.	2.5 mm <sup>2</sup>		
Wire connection cross-section, finely stranded with wire-end ferrules DIN 46228/4, min.	0.13 mm <sup>2</sup>		
Wire connection cross-section, finely stranded with wire-end ferrules DIN 46228/1, max.	2.5 mm <sup>2</sup>		
Wire connection cross-section, finely stranded with wire-end ferrules DIN 46228/1, min.	0.13 mm <sup>2</sup>		
Wire connection cross section, finely stranded, max.	4 mm <sup>2</sup>		
Wire connection cross section, finely stranded, min.	0.13 mm <sup>2</sup>		
Connection cross-section, stranded, max.	4 mm <sup>2</sup>		
Connection cross-section, stranded, min.	0.13 mm <sup>2</sup>		
Wire connection cross-section, solid core, max.	4 mm <sup>2</sup>		
Wire connection cross-section, solid core, min.	0.13 mm <sup>2</sup>		
Tube length for wire-end ferrule with plastic collar DIN 46228/4	Cross-section for conductor connection	nominal	0.5 mm <sup>2</sup>
		min.	6 mm
		max.	10 mm
	Cross-section for conductor connection	nominal	0.75 mm <sup>2</sup>
		min.	6 mm
		max.	12 mm
	Cross-section for conductor connection	nominal	1 mm <sup>2</sup>
		min.	6 mm
		max.	12 mm
	Cross-section for conductor connection	nominal	1.5 mm <sup>2</sup>
		min.	8 mm
		max.	12 mm
	Cross-section for conductor connection	nominal	2.5 mm <sup>2</sup>
		min.	8 mm
		max.	12 mm
Tube length for wire-end ferrule without plastic collar DIN 46228/1	Cross-section for conductor connection	nominal	0.5 mm <sup>2</sup>
		nominal	10 mm

## ZDT 2.5/2

**Weidmüller Interface GmbH & Co. KG**

Klingenbergstraße 26  
D-32758 Detmold  
Germany

www.weidmueller.com

## Technical data

Cross-section for conductor connection	nominal	0.75 mm <sup>2</sup>
	nominal	10 mm
Cross-section for conductor connection	nominal	1 mm <sup>2</sup>
	nominal	10 mm
Cross-section for conductor connection	nominal	1.5 mm <sup>2</sup>
	min.	10 mm
	max.	12 mm
Cross-section for conductor connection	nominal	2.5 mm <sup>2</sup>
	min.	10 mm
	max.	12 mm

### General

Wire connection cross section AWG, max.	AWG 12	Wire connection cross section AWG, min.	AWG 26
Mounting rail	TS 35		

### Rating data

Rated cross-section	2.5 mm <sup>2</sup>	Rated voltage	400 V
Max. voltage of clamp support & pluggable system	690 V	Rated DC voltage	500 V
Nominal current	24 A	Current at maximum wires	24 A
Volume resistance according to IEC 60947-7-x	1.33 mΩ	Rated impulse withstand voltage	6 kV
Power loss in accordance with IEC 60947-7-x	0.77 W	Pollution severity	3

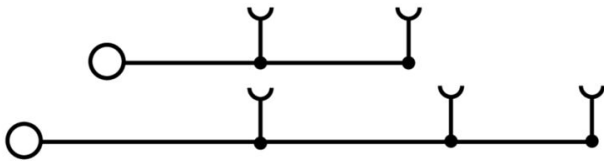
### UL rating data

Conductor size Factory wiring max. (cURus)	12 AWG	Voltage size D (cURus)	600 V
Certificate No. (cURus)	E60693	Conductor size Field wiring min. (cURus)	26 AWG
Conductor size Factory wiring min. (cURus)	26 AWG	Voltage size C (cURus)	300 V
Current size C (cURus)	20 A	Current size D (cURus)	5 A
Conductor size Field wiring max. (cURus)	12 AWG		

### Classifications

ETIM 8.0	EC000897	ETIM 9.0	EC000897
ETIM 10.0	EC000897	ECLASS 14.0	27-25-01-17
ECLASS 15.0	27-25-01-17		

**Drawings**



## ZDT 2.5/2

Weidmüller Interface GmbH &amp; Co. KG

Klingenbergstraße 26

D-32758 Detmold

Germany

www.weidmueller.com

## Accessories

## Cross-connections



The distribution or multiplication of a potential to adjoining terminal blocks is realized via a cross-connection. Additional wiring effort can be easily avoided. Even if the poles are broken out, contact reliability in the terminal blocks is still ensured. Our portfolio offers pluggable and screwable cross-connection systems for modular terminal blocks.

## General ordering data

Type	ZVQ 2.5/1.5	Version
Order No.	<a href="#">1720700000</a>	Accessories, Cross-connector, 24 A
GTIN (EAN)	4008190374006	
Qty.	50 ST	
Type	ZQV 2.5N/2 GE	Version
Order No.	<a href="#">1693800000</a>	W-Series, Cross-connector, 24 A
GTIN (EAN)	4008190883621	
Qty.	60 ST	
Type	ZQV 2.5N/3 GE	Version
Order No.	<a href="#">1693810000</a>	W-Series, Cross-connector, 24 A
GTIN (EAN)	4008190883645	
Qty.	60 ST	
Type	ZQV 2.5N/4 GE	Version
Order No.	<a href="#">1693820000</a>	W-Series, Cross-connector, 24 A
GTIN (EAN)	4008190883652	
Qty.	60 ST	
Type	ZQV 2.5N/5 GE	Version
Order No.	<a href="#">1693830000</a>	W-Series, Cross-connector, 24 A
GTIN (EAN)	4008190883669	
Qty.	20 ST	
Type	ZQV 2.5N/6 GE	Version
Order No.	<a href="#">1693840000</a>	W-Series, Cross-connector, 24 A
GTIN (EAN)	4008190883676	
Qty.	20 ST	
Type	ZQV 2.5N/7 GE	Version
Order No.	<a href="#">1693850000</a>	W-Series, Cross-connector, 24 A
GTIN (EAN)	4008190883683	
Qty.	20 ST	
Type	ZQV 2.5N/8 GE	Version
Order No.	<a href="#">1693860000</a>	W-Series, Cross-connector, 24 A
GTIN (EAN)	4008190883690	
Qty.	20 ST	
Type	ZQV 2.5N/9 GE	Version
Order No.	<a href="#">1693870000</a>	W-Series, Cross-connector, 24 A
GTIN (EAN)	4008190883706	
Qty.	20 ST	
Type	ZQV 2.5N/10 GE	Version
Order No.	<a href="#">1693880000</a>	W-Series, Cross-connector, 24 A
GTIN (EAN)	4008190883720	
Qty.	20 ST	

## ZDT 2.5/2

**Weidmüller Interface GmbH & Co. KG**  
 Klingenbergstraße 26  
 D-32758 Detmold  
 Germany

www.weidmueller.com

## Accessories

Type	ZQV 2.5N/20 GE	Version
Order No.	<a href="#">1909000000</a>	W-Series, Cross-connector, 24 A
GTIN (EAN)	4032248535613	
Qty.	20 ST	
Type	ZQV 2.5N/50 GE	Version
Order No.	<a href="#">1693890000</a>	W-Series, Cross-connector, 24 A
GTIN (EAN)	4008190883737	
Qty.	5 ST	

### End plates and partition plates



Partition plates and end plates are essential accessories for terminal blocks. Partition plates provide optical and electrical separation of different potentials and functional groups, increasing safety and ensuring a clear structure inside the control cabinet. End plates close the terminal block row on the sides, protect against contact with live parts, and ensure a clean, stable finish. Both components are precisely matched to the respective Weidmüller terminal block series, contributing to safe, compliant, and professional wiring.

#### General ordering data

Type	ZAP/TW ZDT2.5/2	Version
Order No.	<a href="#">1816110000</a>	Z-series, End plate, Partition plate
GTIN (EAN)	4032248370689	
Qty.	50 ST	

### Testadapter and testsockets



Test adapters and test plugs are used for the electrical connection between terminal blocks and the test equipment. In this way, an electrical contact can be established in the wired state and measurements can be done easily.

#### General ordering data

Type	ZTA ZT2.5/ZA	Version
Order No.	<a href="#">1847600000</a>	Accessories, Test adapter, 17.5 A
GTIN (EAN)	4032248412679	
Qty.	25 ST	
Type	ZTA ZT2.5	Version
Order No.	<a href="#">1827080000</a>	Accessories, Test adapter, 17.5 A
GTIN (EAN)	4032248411276	
Qty.	25 ST	

## ZDT 2.5/2

Weidmüller Interface GmbH &amp; Co. KG

Klingenbergstraße 26

D-32758 Detmold

Germany

www.weidmueller.com

## Accessories

## Plugs



The plugs for our WeiCoS-System are available for all different connection systems. The product range includes preassembled connectors from 1 to 10 poles and the possibility of an individual assembly. This ensures maximum flexibility for every application. The customized accessories increase the safety and protection against environmental influences.

## General ordering data

Type	ZVR ZP2.5	Version
Order No.	<a href="#">1816130000</a>	Z-series, Locking clips, yellow, 3.9 mm
GTIN (EAN)	4032248370702	
Qty.	25 ST	
Type	ZVR ZPS2.5	Version
Order No.	<a href="#">1878620000</a>	Z-series, Locking clips, yellow, 15 mm
GTIN (EAN)	4032248471591	
Qty.	20 ST	
Type	KOSF ZT2.5	Version
Order No.	<a href="#">1816150000</a>	Z-series, Coding element, yellow, 2.9 mm
GTIN (EAN)	4032248370726	
Qty.	50 ST	
Type	ZZE ZP2.5	Version
Order No.	<a href="#">1816140000</a>	Z-series, Strain relief, yellow, 9.9 mm
GTIN (EAN)	4032248370719	
Qty.	25 ST	
Type	ZZE ZP2.5/4	Version
Order No.	<a href="#">1866220000</a>	Z-series, Strain relief, yellow, 19.9 mm
GTIN (EAN)	4032248480845	
Qty.	25 ST	
Type	ZVLA SC ZPS2.5	Version
Order No.	<a href="#">1866240000</a>	Z-series, Plug-in modular terminals, yellow, 15 mm
GTIN (EAN)	4032248513376	
Qty.	20 ST	
Type	ZVLA DF CL ZPS2.5	Version
Order No.	<a href="#">1878610000</a>	Z-series, Plug-in modular terminals, yellow
GTIN (EAN)	4032248471584	
Qty.	20 ST	
Type	ZVLA RC ZPS2.5	Version
Order No.	<a href="#">1866260000</a>	Z-series, Plug-in modular terminals, yellow, 8.8 mm
GTIN (EAN)	4032248524754	
Qty.	20 ST	
Type	ZVLA1 ZPS2.5	Version
Order No.	<a href="#">1866250000</a>	Z-series, Plug-in modular terminals, yellow, 8.8 mm
GTIN (EAN)	4032248524761	
Qty.	20 ST	
Type	ZP 2.5/1AN/QV/1	Version
Order No.	<a href="#">1815190000</a>	Z-series, Plug-in connector, dark beige, Direct mounting
GTIN (EAN)	4032248370061	
Qty.	50 ST	

## ZDT 2.5/2

**Weidmüller Interface GmbH & Co. KG**  
 Klingenbergstraße 26  
 D-32758 Detmold  
 Germany

www.weidmueller.com

## Accessories

Type	ZP 2.5/1AN/QV/1 GN	Version
Order No.	<a href="#">1820570000</a>	Z-series, Plug-in connector, green, Direct mounting
GTIN (EAN)	4032248370078	
Qty.	50 ST	
Type	ZP 2.5/1AN/QV/2	Version
Order No.	<a href="#">1815200000</a>	Z-series, Plug-in connector, dark beige, Direct mounting
GTIN (EAN)	4032248370085	
Qty.	25 ST	
Type	ZP 2.5/1AN/QV/3	Version
Order No.	<a href="#">1815210000</a>	Z-series, Plug-in connector, dark beige, Direct mounting
GTIN (EAN)	4032248370092	
Qty.	25 ST	
Type	ZP 2.5/1AN/QV/4	Version
Order No.	<a href="#">1815220000</a>	Z-series, Plug-in connector, dark beige, Direct mounting
GTIN (EAN)	4032248370108	
Qty.	25 ST	
Type	ZP 2.5/1AN/QV/5	Version
Order No.	<a href="#">1815230000</a>	Z-series, Plug-in connector, dark beige, Direct mounting
GTIN (EAN)	4032248342518	
Qty.	25 ST	
Type	ZP 2.5/1AN/QV/6	Version
Order No.	<a href="#">1815240000</a>	Z-series, Plug-in connector, dark beige, Direct mounting
GTIN (EAN)	4032248342525	
Qty.	25 ST	
Type	ZP 2.5/1AN/QV/7	Version
Order No.	<a href="#">1815250000</a>	Z-series, Plug-in connector, dark beige, Direct mounting
GTIN (EAN)	4032248342532	
Qty.	25 ST	
Type	ZP 2.5/1AN/QV/8	Version
Order No.	<a href="#">1815260000</a>	Z-series, Plug-in connector, dark beige, Direct mounting
GTIN (EAN)	4032248342549	
Qty.	20 ST	
Type	ZP 2.5/1AN/QV/9	Version
Order No.	<a href="#">1815270000</a>	Z-series, Plug-in connector, dark beige, Direct mounting
GTIN (EAN)	4032248342556	
Qty.	20 ST	
Type	ZP 2.5/1AN/QV/10	Version
Order No.	<a href="#">1815280000</a>	Z-series, Plug-in connector, dark beige, Direct mounting
GTIN (EAN)	4032248342563	
Qty.	20 ST	
Type	ZP 2.5/1AN/QV/11	Version
Order No.	<a href="#">1815290000</a>	Z-series, Plug-in connector, dark beige, Direct mounting
GTIN (EAN)	4032248342570	
Qty.	20 ST	
Type	ZP 2.5/1AN/QV/12	Version
Order No.	<a href="#">1815300000</a>	Z-series, Plug-in connector, dark beige, Direct mounting
GTIN (EAN)	4032248342587	
Qty.	20 ST	
Type	ZP 2.5/1AN/QV/13	Version
Order No.	<a href="#">1815310000</a>	Z-series, Plug-in connector, dark beige, Direct mounting
GTIN (EAN)	4032248370115	
Qty.	10 ST	

## ZDT 2.5/2

**Weidmüller Interface GmbH & Co. KG**

Klingenbergstraße 26

D-32758 Detmold

Germany

www.weidmueller.com

## Accessories

Type	ZP 2.5/1AN/QV/14	Version
Order No.	<a href="#">1815320000</a>	Z-series, Plug-in connector, dark beige, Direct mounting
GTIN (EAN)	4032248370122	
Qty.	10 ST	
Type	ZP 2.5/1AN/QV/15	Version
Order No.	<a href="#">1815330000</a>	Z-series, Plug-in connector, dark beige, Direct mounting
GTIN (EAN)	4032248370139	
Qty.	10 ST	
Type	ZP 2.5/1AN/QV/16	Version
Order No.	<a href="#">1815340000</a>	Z-series, Plug-in connector, dark beige, Direct mounting
GTIN (EAN)	4032248370146	
Qty.	10 ST	
Type	ZP 2.5/1AN/QV/17	Version
Order No.	<a href="#">1815350000</a>	Z-series, Plug-in connector, dark beige, Direct mounting
GTIN (EAN)	4032248370153	
Qty.	10 ST	
Type	ZP 2.5/1AN/QV/20	Version
Order No.	<a href="#">1815380000</a>	Rail components, Plug-in connector
GTIN (EAN)	4032248370184	
Qty.	10 ST	
Type	ZAD ZT/ZPS2.5	Version
Order No.	<a href="#">1861030000</a>	Z-series, Cover plate, yellow, 4.2 mm
GTIN (EAN)	4032248418428	
Qty.	25 ST	

## Blank



The Dekafix (DEK) marker is the universal marker for all conductor and plug-in connectors as well as for electronic sub-assemblies. The system is ideal for short number sequences and covers a wide range of ready-printed markers.

Strips for fast installation in only one work step. The printing is easy to read, rich in contrast and available in various widths.

- Large range of ready-to-use markers
- Strips for fast installation
- Terminal markers, suitable for all Weidmüller cable connectors
- Available as blank MultiCard or with standard printing

For custom printing: Please send us a file of our labeling software M-Print PRO or M-Print PRO Online (without installation) for your labeling specifications.

## General ordering data

Type	DEK 5/5 MC NE WS	Version
Order No.	<a href="#">1609801044</a>	Dekafix, Terminal marker, 5 x 5 mm, Pitch in mm (P): 5.00
GTIN (EAN)	4008190397111	Weidmueller, white
Qty.	1000 ST	

## ZDT 2.5/2

**Weidmüller Interface GmbH & Co. KG**  
 Klingenbergstraße 26  
 D-32758 Detmold  
 Germany

## Accessories

www.weidmueller.com

### STR transparent strips



#### General ordering data

Type	STR 7 F.SCHT 7	Version	
Order No.	<a href="#">0515300000</a>	Terminal markers, Protective cap, 27 x 6.3 mm, Transparent	
GTIN (EAN)	4008190182175		
Qty.	20 ST		

### Blank



WS markers are the perfect match for the W-series connectors. Thanks to their system compatibility, the WS tags can also be used with the I-series and the Z-series. The large marking surfaces do not only permit long character strings but also multi-line text. WS markers are ideal for labels with long, customised character strings. Thanks to the proven MultiCard format, printing with PrintJet CONNECT oder/or Plotter is possible.

- Can be fitted in strips or individually
- Markers in proven MultiCard format

For custom printing: Please send us a file of our labeling software M-Print PRO or M-Print PRO Online (without installation) for your labeling specifications.

#### General ordering data

Type	WS 10/5 M MC NE WS	Version	
Order No.	<a href="#">1792000000</a>	WS, Terminal marker, 10 x 5 mm, Pitch in mm (P): 5.00 Weidmueller, Allen-Bradley, white	
GTIN (EAN)	4032248223862		
Qty.	720 ST		
Type	ZS 10/5 MC NE WS	Version	
Order No.	<a href="#">1610000000</a>	ZS, Terminal marker, 10 x 5 mm, Pitch in mm (P): 5.00 Weidmueller, Allen-Bradley, white	
GTIN (EAN)	4008190263171		
Qty.	480 ST		

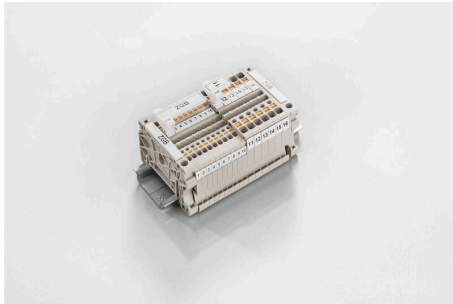
## ZDT 2.5/2

**Weidmüller Interface GmbH & Co. KG**  
 Klingenbergstraße 26  
 D-32758 Detmold  
 Germany

## Accessories

www.weidmueller.com

## ZGB pivotable group tag holder



The ZGB 15 is a hinged group tag carrier. The tag carrier can hold the dekafix 5, WS 12/5 terminal markers or the inlay tag ESO 15.

The ZGB 30 is a hinged group tag carrier. The tag carrier can hold the dekafix 5, WS 12/5 terminal markers or the inlay tag ESO 7.

Inlay tags and protective strips can be found under "Accessories".

## General ordering data

Type	ZGB 15	Version
Order No.	<a href="#">1636530000</a>	Terminal markers, Terminal marker, 15 x 7 mm, Pitch in mm (P): 5.00
GTIN (EAN)	4008190297053	Weidmueller, white
Qty.	20 ST	
Type	ZGB 30	Version
Order No.	<a href="#">1611930000</a>	Terminal markers, Terminal marker, 32 x 7 mm, Pitch in mm (P): 5.00
GTIN (EAN)	4008190002251	Weidmueller, white
Qty.	20 ST	
Type	ZGB 30/3.5	Version
Order No.	<a href="#">1778290000</a>	Terminal markers, Terminal marker, 32 x 7 mm, Pitch in mm (P): 3.50
GTIN (EAN)	4032248161065	white
Qty.	20 ST	

## Plugs



The plugs for our WeiCoS-System are available for all different connection systems. The product range includes preassembled connectors from 1 to 10 poles and the possibility of an individual assembly. This ensures maximum flexibility for every application. The customized accessories increase the safety and protection against environmental influences.

## General ordering data

Type	WP 2.5/1AN/1	Version
Order No.	<a href="#">1305270000</a>	Plug (terminal), Screw connection, 2.5 mm <sup>2</sup> , 24 A, 500 V, Number of connections: 1, Number of poles: 1, Width: 6.1 mm
GTIN (EAN)	4050118104547	
Qty.	50 ST	
Type	WP 2.5/1AN/10	Version
Order No.	<a href="#">1305280000</a>	Plug (terminal), Screw connection, 2.5 mm <sup>2</sup> , 24 A, 500 V, Number of connections: 10, Number of poles: 10, Width: 52 mm
GTIN (EAN)	4050118104530	
Qty.	50 ST	

## ZDT 2.5/2

**Weidmüller Interface GmbH & Co. KG**  
 Klingenbergstraße 26  
 D-32758 Detmold  
 Germany

www.weidmueller.com

## Accessories

### Marker holder



The marker holder offer the possibility of additional mounting of standard markers with a pitch of 5 or 5.1 mm. The angled holders can be optionally snapped together and could be mounted in all standard marking channels of the Klippon® Connect modular terminal blocks. Fitting marker types could be found under the respective accessories of the designation marking holder.

#### General ordering data

Type	BZT 1 WS 10/5	Version
Order No.	<a href="#">1805490000</a>	Accessories, Marker holder
GTIN (EAN)	4032248270231	
Qty.	100 ST	

Type	BZT 1 ZA WS 10/5	Version
Order No.	<a href="#">1805520000</a>	Accessories, Marker holder
GTIN (EAN)	4032248270248	
Qty.	100 ST	

### Slotted screwdriver



VDE insulated screwdriver sets, for working on live parts up to 1000 V AC and 1500 V DC, DIN EN 60900. IEC 900. Each piece is "GS" safety tested. Blade made from fully hardened, high-alloy chromium-vanadium-molybdenum steel, gun-metal finish.

#### General ordering data

Type	SDIS SLIM 0.6X3.5X100	Version
Order No.	<a href="#">2749610000</a>	Mounting tool, Blade width (B): 3.5 mm, Blade length: 100 mm, Blade thickness (A): 0.6 mm
GTIN (EAN)	4050118896350	
Qty.	1 ST	