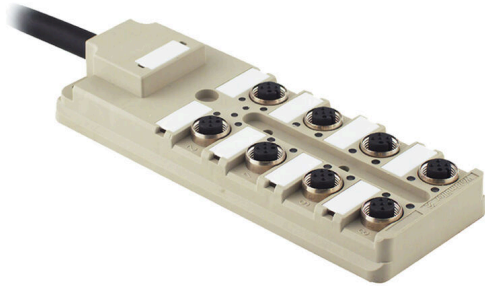


**SAI-8-F 5P NPN-PNP 5M**

**Weidmüller Interface GmbH & Co. KG**  
 Klingenbergstraße 26  
 D-32758 Detmold  
 Germany

www.weidmueller.com



## NPN-PNP Inverter

Passive M12 distributors are available in all conceivable forms and configurations. Furthermore, a number of special versions, e.g. SAI distributors for EX zones or the ergonomic M8, are available only from Weidmüller. These innovative products are backed up by numerous proprietary rights.

### General ordering data

Version	Fixed cable version, M12, 30 V, A-coded, LED: Yes, LED initiator: Yes, Wiring type: NPN-PNP inverter, 5 m
Order No.	<a href="#">1814990000</a>
Type	SAI-8-F 5P NPN-PNP 5M
GTIN (EAN)	403224830315 1
Qty.	1 items

## SAI-8-F 5P NPN-PNP 5M

Weidmüller Interface GmbH & Co. KG  
Klingenbergstraße 26  
D-32758 Detmold  
Germany

www.weidmueller.com

## Technical data

## Approvals

ROHS	Conform
------	---------

## Dimensions and weights

Depth	152 mm	Depth (inches)	5.9842 inch
Height	25 mm	Height (inches)	0.9842 inch
Net weight	715 g		

## Temperatures

Operating temperature	0 - 50°C
-----------------------	----------

## Environmental Product Compliance

RoHS Compliance Status	Compliant without exemption
REACH SVHC	No SVHC above 0.1 wt%

## Connection data

Distributor outlet	Fixed cable version
--------------------	---------------------

## Electrical data

Rated voltage, min.	10 V	Rated voltage, max.	30 V
Test voltage	1 kV	Max. current-carrying capacity per slot	4 A
Electrical isolation available	No	Insulation resistance	109 Ω

## General technical data

Protection degree	IP68	Plug-in station coding	A-coded
Number of poles	5	Number of contact sockets	8
Connection thread	M12	Pollution severity	3
Fire behaviour	V-0	Plugging cycles	≤ 50
LED	Yes	LED initiator	Yes
LED colour for indicating operation	green	LED colour for I/O function	yellow

## Material data

Housing main material	Pocan	Material of distributor	Plastic
Housing colour	grey, RAL 7032	Hood sealing material	Viton
Screw socket	Nickel-plated CuZn	Contact material	CuZn
Contact surface	Gold-plated	Contact carrier material	PBT (UL 94 V0)

## Technical data cable

Number of poles	5	Sheathing colour	black
O.D.	8.2 mm	Shielded	No
Halogen	No	Bending radius, min., moving	10 x cable diameter
Bending cycles	2 Mio	Wire cross section (Print/Online)	8 x 0.34 mm <sup>2</sup> + 3 x 1.0 mm <sup>2</sup>
Sheath material	PUR	Colour coding	white, black, red, pink, violet, yellow, green, grey, blue, brown, Green/yellow
Cable length	5 m	Suitable for cable carriers	Yes

## SAI-8-F 5P NPN-PNP 5M

**Weidmüller Interface GmbH & Co. KG**  
Klingenbergstraße 26  
D-32758 Detmold  
Germany

[www.weidmueller.com](http://www.weidmueller.com)

## Technical data

### Classifications

ETIM 8.0	EC002585	ETIM 9.0	EC002585
ETIM 10.0	EC002585	ECLASS 14.0	27-44-01-08
ECLASS 15.0	27-44-01-08		

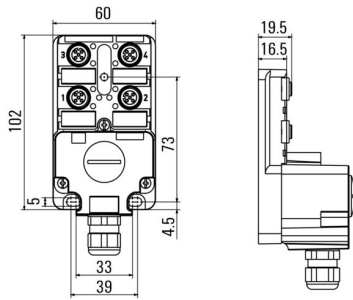
SAI-8-F 5P NPN-PNP 5M

Weidmüller Interface GmbH & Co. KG  
Klingenbergstraße 26  
D-32758 Detmold  
Germany

[www.weidmueller.com](http://www.weidmueller.com)

Drawings

Dimensioned drawing



Wiring diagram

