

SAI-4-M 5P M12 1:1**Weidmüller Interface GmbH & Co. KG**

Klingenbergstraße 26

D-32758 Detmold

Germany

www.weidmueller.com



M12 distributors are available in various versions. The 4, 6 or 8 M12 slots are in 4 or 5 pole design. The group outlet is designed as a fixed cable version, hood version for connection by the user, or with M23. Special versions are also available. For instance, there are 1-to-1 distributors for use with any connection types, or distributors approved for Ex Zone 1.

General ordering data

Version	Hood distributor, M12, 30 V, A-coded, LED: No, LED initiator: No, Wiring type: 1:1
Order No.	1806010000
Type	SAI-4-M 5P M12 1:1
GTIN (EAN)	4032248275120
Qty.	1 items

SAI-4-M 5P M12 1:1

Weidmüller Interface GmbH & Co. KG
Klingenbergstraße 26
D-32758 Detmold
Germany

www.weidmueller.com

Technical data

Approvals

Approvals



ROHS	Conform
UL File Number Search	UL Website
Certificate No. (cURus)	E141197

Dimensions and weights

Depth	102 mm	Depth (inches)	4.0157 inch
Height	41.5 mm	Height (inches)	1.6339 inch
Width	60 mm	Width (inches)	2.3622 inch
Net weight	190.9 g		

Temperatures

Operating temperature	-20 - 90°C
-----------------------	------------

Environmental Product Compliance

RoHS Compliance Status	Compliant without exemption
REACH SVHC	No SVHC above 0.1 wt%

Connection data

Conductor O.D., min.	6 mm	Conductor O.D., max.	12 mm
Clamping range, min.	0.08 mm ²	Clamping range, max.	1.5 mm ²
Wire connection cross section AWG, min.	AWG 28	Wire connection cross section AWG, max.	AWG 14
Solid, min. H05(07) V-U	0.2 mm ²	Solid, max. H05(07) V-U	1.5 mm ²
Flexible, min. H05(07) V-K	0.2 mm ²	Flexible, max. H05(07) V-K	1.5 mm ²
w. plastic collar ferrule, DIN 46228 pt 4, min.	0.2 mm ²	w. plastic collar ferrule, DIN 46228 pt 4, max.	1.5 mm ²
w. wire end ferrule, DIN 46228 pt 1, min.	0.2 mm ²	w. wire end ferrule, DIN 46228 pt 1, max.	1.5 mm ²
Storage space	Standard	Distributor outlet	Hood distributor

Electrical data

Rated voltage, min.	10 V	Rated voltage, max.	30 V
Test voltage	1 kV	Max. current-carrying capacity per slot	4 A
Total current	8 A	Current per signal	2 A
Electrical isolation available	Yes	Insulation resistance	109 Ω

General technical data

Protection degree	IP67	Plug-in station coding	A-coded
Number of poles	5	Number of contact sockets	4
Connection thread	M12	Pollution severity	3
Fire behaviour	V-0	Plugging cycles	≤ 50
LED	No	LED initiator	No

SAI-4-M 5P M12 1:1

Weidmüller Interface GmbH & Co. KG
 Klingenbergstraße 26
 D-32758 Detmold
 Germany

www.weidmueller.com

Technical data

Material data

Housing main material	Pocan	Material of distributor	Plastic
Housing colour	grey, RAL 7032	Hood sealing material	Viton
Screw socket	Nickel-plated CuZn	Contact material	CuZn
Contact surface	Gold-plated	Contact carrier material	PBT (UL 94 V0)

Technical data cable

Number of poles	5	Conductor O.D., max.	12 mm
Conductor O.D., min.	6 mm	Suitable for cable carriers	No

Classifications

ETIM 8.0	EC003558	ETIM 9.0	EC003558
ETIM 10.0	EC003558	ECLASS 14.0	27-44-01-11
ECLASS 15.0	27-44-01-11		

SAI-4-M 5P M12 1:1

Weidmüller Interface GmbH & Co. KG
 Klingenbergstraße 26
 D-32758 Detmold
 Germany

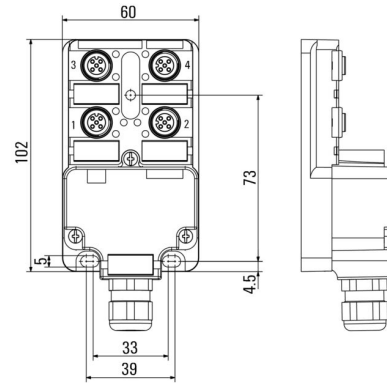
www.weidmueller.com

Drawings

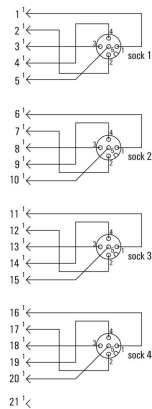
Similar to illustration



Dimensioned drawing



Wiring diagram



Wiring diagram

