

SAI Y-4S M8-M8

Weidmüller Interface GmbH & Co. KG
Klingenbergstraße 26
D-32758 Detmold
Germany

www.weidmueller.com



General ordering data

Version	Y-plug, M8 / M8
Order No.	1805660000
Type	SAI Y-4S M8-M8
GTIN (EAN)	4032248272723
Qty.	1 items

SAI Y-4S M8-M8

Weidmüller Interface GmbH & Co. KG
Klingenbergstraße 26
D-32758 Detmold
Germany

www.weidmueller.com

Technical data

Approvals

Approvals



ROHS Conform

UL File Number Search [UL Website](#)

Certificate no. (cULus) E307231

Dimensions and weights

Net weight 12 g

Environmental Product Compliance

RoHS Compliance Status Compliant with exemption

RoHS Exemption (if applicable/known) 6c

REACH SVHC Lead 7439-92-1

SCIP ebf89fc8-a87f-4691-b87a-dfb9921774b4

Connection data

Group outlet - plug-in connector	M8 pin	Single outlet 1 - plug-in connector	M8 socket
Single outlet 2 - plug-in connector	M8 socket	Tightening torque	M8: 0.5 - 0.6 Nm

Technical data customisable plug-in connectors

Number of poles	4	Coding	none
Contact surface	Au (Gold)	Housing main material	PUR
Nominal voltage	60 V	Nominal current	4 A
Protection degree	IP67	Plugging cycles	≥ 100
Pollution severity	3	Shield connection	No
Temperature range of housing	-25...+85 °C		

Standards

Connector standard IEC 61076-2-104

General data

Number of poles	4	Coding	none
Connection thread	M8 / M8	Contact material, socket	CuSn
Contact material, pin	CuZn	Contact surface	Au (Gold)
Housing main material	PUR	Nominal voltage	60 V
Nominal current	4 A	Protection degree	IP67
Plugging cycles	≥ 100	Pollution severity	3
Connection 1	M8/M8	Connection 2	Screw
Shield connection	No	Temperature range of housing	-25...+85 °C
Conductor O.D.	-		

Classifications

ETIM 8.0	EC002925	ETIM 9.0	EC002925
ETIM 10.0	EC002925	ECLASS 14.0	27-44-01-06
ECLASS 15.0	27-44-01-06		

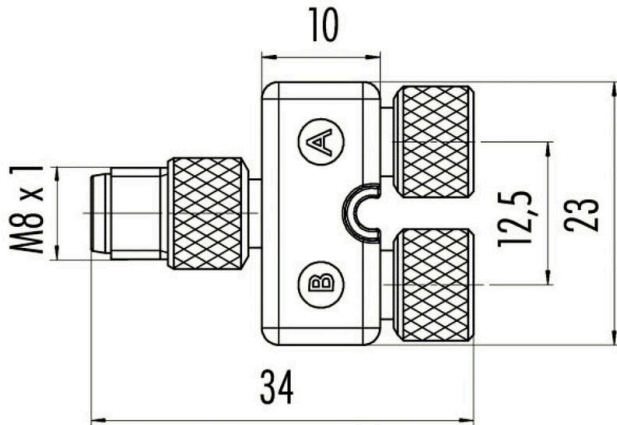
SAI Y-4S M8-M8

Weidmüller Interface GmbH & Co. KG
Klingenbergstraße 26
D-32758 Detmold
Germany

www.weidmueller.com

Drawings

Dimensioned drawing



Wiring diagram

