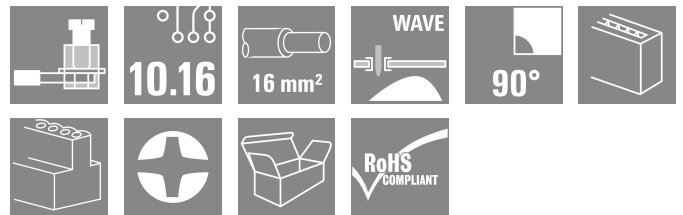


LU 10.16/04/90 3.2SN GY BX

Weidmüller Interface GmbH & Co. KG
 Klingenbergstraße 26
 D-32758 Detmold
 Germany

www.weidmueller.com

Product image



This PCB terminal provides connections for 76 A and 16 mm² conductor cross-section with proven clamping yoke connection at 10.16 mm pitch, conductor outlet direction in 90° design.

General ordering data

| | |
|--------------|---|
| Version | Printed circuit board terminals, 10.16 mm, Number of poles: 4, 90°, Solder pin length (l): 3.2 mm, tinned, Pebble grey, Clamping yoke connection, Clamping range, max. : 16 mm ² , Box |
| Order No. | 1791090000 |
| Type | LU 10.16/04/90 3.2SN GY BX |
| GTIN (EAN) | 4032248219933 |
| Qty. | 20 items |
| Product data | IEC: 1000 V / 76 A / 0.5 - 16 mm ² UL: 300 V / 65 A / AWG 26 - AWG 6 |
| Packaging | Box |

LU 10.16/04/90 3.2SN GY BX

Weidmüller Interface GmbH & Co. KG
Klingenbergstraße 26
D-32758 Detmold
Germany

www.weidmueller.com

Technical data

Approvals

Approvals



| | |
|-----------------------|----------------------------|
| ROHS | Conform |
| UL File Number Search | UL Website |
| Certificate No. (UR) | E60693 |

Dimensions and weights

| | | | |
|--------------------------|----------|-----------------|-------------|
| Depth | 18.3 mm | Depth (inches) | 0.7205 inch |
| Height | 31.7 mm | Height (inches) | 1.248 inch |
| Height of lowest version | 28.5 mm | Width | 40.64 mm |
| Width (inches) | 1.6 inch | Net weight | 40.4 g |

Environmental Product Compliance

| | | | |
|--------------------------|-----------------------------|-----------------|--|
| RoHS Compliance Status | Compliant without exemption | | |
| REACH SVHC | No SVHC above 0.1 wt% | | |
| Product Carbon Footprint | Cradle to gate | 0.270 kg CO2eq. | |

System parameters

| | | | |
|--|----------------------------|--|------------------------------|
| Product family | OMNIMATE Power - series LU | Wire connection method | Clamping yoke connection |
| Mounting onto the PCB | THT solder connection | Conductor outlet direction | 90° |
| Pitch in mm (P) | 10.16 mm | Pitch in inches (P) | 0.400 " |
| Number of poles | 4 | Pin series quantity | 1 |
| Fitted by customer | Yes | Number of rows | 1 |
| Max. adjacent poles per row | 10 | Solder pin length (l) | 3.2 mm |
| Solder pin dimensions | 1.2 x 1.2 mm | Solder pin dimensions = d tolerance | 0 / -0,15 mm |
| Solder eyelet hole diameter (D) | 1.6 mm | Solder eyelet hole diameter tolerance (D)+ | 0,1 mm |
| Number of solder pins per pole | 4 | Screwdriver blade | 1.0 x 5.5 |
| Screwdriver blade standard | DIN 5264 | Tightening torque, min. | 1.2 Nm |
| Tightening torque, max. | 2.2 Nm | Clamping screw | M 4 |
| Stripping length | 12 mm | L1 in mm | 30.48 mm |
| L1 in inches | 1.200 " | Touch-safe protection acc. to DIN VDE 0470 | IP20 plugged/ IP10 unplugged |
| Touch-safe protection acc. to DIN VDE 57 106 | Safe from finger touch | Protection degree | IP20 |
| Volume resistance | 0.50 mΩ | | |

Material data

| | | | |
|---------------------------------------|----------------------------------|---------------------------------------|-------------|
| Insulating material | Wemid (PA) | Colour | Pebble grey |
| Colour chart (similar) | RAL 7032 | Insulating material group | I |
| Comparative Tracking Index (CTI) | ≥ 600 | Insulation resistance | ≥ 108 Ω |
| Moisture Level (MSL) | | UL 94 flammability rating | V-0 |
| Contact material | Cu-alloy | Contact surface | tinned |
| Layer structure of solder connection | 1.5...3 μm Ni / 4...6 μm Sn matt | Storage temperature, min. | -40 °C |
| Storage temperature, max. | 70 °C | Operating temperature, min. | -50 °C |
| Operating temperature, max. | 120 °C | Temperature range, installation, min. | -25 °C |
| Temperature range, installation, max. | 120 °C | | |

LU 10.16/04/90 3.2SN GY BX

Weidmüller Interface GmbH & Co. KG
 Klingenbergstraße 26
 D-32758 Detmold
 Germany

www.weidmueller.com

Technical data

Conductors suitable for connection

| | |
|---|-------------------------|
| Clamping range, min. | 0.14 mm ² |
| Clamping range, max. | 16 mm ² |
| Wire connection cross section AWG, min. | AWG 22 |
| Wire connection cross section AWG, max. | AWG 8 |
| Solid, min. H05(07) V-U | 0.5 mm ² |
| Solid, max. H05(07) V-U | 16 mm ² |
| Stranded, min. H07V-R | 6 mm ² |
| Stranded, max. H07V-R | 16 mm ² |
| Flexible, min. H05(07) V-K | 0.5 mm ² |
| Flexible, max. H05(07) V-K | 16 mm ² |
| w. plastic collar ferrule, DIN 46228 pt 4, min. | 2.5 mm ² |
| w. plastic collar ferrule, DIN 46228 pt 4, max. | 10 mm ² |
| w. wire end ferrule, DIN 46228 pt 1, min. | 2.5 mm ² |
| w. wire end ferrule, DIN 46228 pt 1, max. | 10 mm ² |
| Plug gauge in accordance with EN 60999 a x b; ø | 5.4 mm x 5.1 mm; 5.3 mm |

| Clampable conductor | Cross-section for conductor connection | Type | fine-wired |
|--|--|------------------------------|-----------------------------|
| | | nominal | 2.5 mm ² |
| wire end ferrule | | Stripping length | nominal 12 mm |
| | | Recommended wire-end ferrule | H2.5/12 |
| | | Stripping length | nominal 14 mm |
| | | Recommended wire-end ferrule | H2.5/19D BL |
| Cross-section for conductor connection | Type | fine-wired | |
| | nominal | 4 mm ² | |
| wire end ferrule | | Stripping length | nominal 12 mm |
| | | Recommended wire-end ferrule | H4.0/12 |
| | | Stripping length | nominal 14 mm |
| | | Recommended wire-end ferrule | H4.0/20D GR |
| Cross-section for conductor connection | Type | fine-wired | |
| | nominal | 6 mm ² | |
| wire end ferrule | | Stripping length | nominal 12 mm |
| | | Recommended wire-end ferrule | H6.0/12 |
| | | Stripping length | nominal 14 mm |
| | | Recommended wire-end ferrule | H6.0/20 SW |
| Cross-section for conductor connection | Type | fine-wired | |
| | nominal | 10 mm ² | |
| wire end ferrule | | Stripping length | nominal 15 mm |
| | | Recommended wire-end ferrule | H10.0/22 EB |
| | | Stripping length | nominal 12 mm |
| | | Recommended wire-end ferrule | H10.0/12 |

Reference text Length of ferrules is to be chosen depending on the product and the rated voltage., The outside diameter of the plastic collar should not be larger than the pitch (P)

LU 10.16/04/90 3.2SN GY BX

Weidmüller Interface GmbH & Co. KG
 Klingenbergstraße 26
 D-32758 Detmold
 Germany

www.weidmueller.com

Technical data

Rated data acc. to IEC

| | | | |
|---|------------------------|---|-------------------|
| tested acc. to standard | IEC 60664-1, IEC 61984 | Rated current, min. number of poles (Tu=20°C) | 76 A |
| Rated current, max. number of poles (Tu=20°C) | 72 A | Rated current, min. number of poles (Tu=40°C) | 76 A |
| Rated current, max. number of poles (Tu=40°C) | 62 A | Rated voltage for surge voltage class / pollution degree II/2 | 1000 V |
| Rated voltage for surge voltage class / pollution degree III/2 | 690 V | Rated voltage for surge voltage class / pollution degree III/3 | 690 V |
| Rated impulse voltage for surge voltage class/ pollution degree II/2 | 4 kV | Rated impulse voltage for surge voltage class/ pollution degree III/2 | 6 kV |
| Rated impulse voltage for surge voltage class/ contamination degree III/3 | 6 kV | Short-time withstand current resistance | 2 x 1s with 700 A |

Rated data acc. to CSA

| | | | |
|-----------------------------------|--|-----------------------------------|----------------|
| Institute (CSA) | CSA | Certificate No. (CSA) | 200039-1198743 |
| Rated voltage (Use group B / CSA) | 300 V | Rated voltage (Use group C / CSA) | 150 V |
| Rated voltage (Use group D / CSA) | 300 V | Rated current (Use group B / CSA) | 65 A |
| Rated current (Use group C / CSA) | 65 A | Rated current (Use group D / CSA) | 10 A |
| Wire cross-section, AWG, min. | AWG 22 | Wire cross-section, AWG, max. | AWG 6 |
| Reference to approval values | Specifications are maximum values, details - see approval certificate. | | |

Rated data acc. to UL 1059

| | | | |
|---------------------------------------|--|---------------------------------------|--------|
| Institute (UR) | UR | Certificate No. (UR) | E60693 |
| Rated voltage (Use group B / UL 1059) | 300 V | Rated voltage (Use group C / UL 1059) | 150 V |
| Rated voltage (Use group D / UL 1059) | 600 V | Rated voltage (Use group F / UL 1059) | 600 V |
| Rated current (Use group B / UL 1059) | 65 A | Rated current (Use group C / UL 1059) | 65 A |
| Rated current (Use group D / UL 1059) | 5 A | Rated current (Use group F / UL 1059) | 65 A |
| Wire cross-section, AWG, min. | AWG 26 | Wire cross-section, AWG, max. | AWG 6 |
| Reference to approval values | Specifications are maximum values, details - see approval certificate. | | |

Packing

| | | | |
|-----------|-----------|------------|-----------|
| Packaging | Box | VPE length | 178.00 mm |
| VPE width | 100.00 mm | VPE height | 52.00 mm |

Type tests

| | | | |
|-------------------------------|----------------|--|-----------|
| Test: Durability of markings | Test | mark of origin, type identification, type of material, rated cross-section, approval marking CSA, approval marking UL, pitch, durability | |
| | Evaluation | available | |
| Test: Clampable cross section | Standard | EN 60999/1993 | |
| | Conductor type | Type of conductor and conductor cross-section | H05V-K0.5 |
| | | Type of conductor and conductor cross-section | H05V-U0.5 |
| | | Type of conductor and conductor cross-section | H07V-K10 |

Technical data

| | | | |
|---|---|---|-----------|
| | | Type of conductor and conductor cross-section | H07V-U10 |
| | | Type of conductor and conductor cross-section | H07V-U16 |
| | | Type of conductor and conductor cross-section | AWG8/7 |
| | | Type of conductor and conductor cross-section | AWG 8/19 |
| | | Type of conductor and conductor cross-section | AWG 22/1 |
| | | Type of conductor and conductor cross-section | AWG 22/19 |
| | Evaluation | passed | |
| | Standard | EN 60947-1/1991 section 8.2.4.3 | |
| | Requirement | 0.3 kg | |
| Test for damage to and accidental loosening of conductors | Conductor type | Type of conductor and conductor cross-section | H05V-K0.5 |
| | | Type of conductor and conductor cross-section | H05V-U0.5 |
| | | Type of conductor and conductor cross-section | AWG 22/1 |
| | | Type of conductor and conductor cross-section | AWG 22/19 |
| | Evaluation | passed | |
| | Requirement | 2.0 kg | |
| | Conductor type | Type of conductor and conductor cross-section | H07V-K10 |
| | | Type of conductor and conductor cross-section | H07V-U10 |
| | | Type of conductor and conductor cross-section | AWG8/7 |
| | | Type of conductor and conductor cross-section | AWG 8/19 |
| Evaluation | passed | | |
| Requirement | 2.9 kg | | |
| Conductor type | Type of conductor and conductor cross-section | H07V-U16 | |
| | Evaluation | passed | |
| Pull-out test | Standard | EN 60947-1/1991 section 8.2.4.4 | |
| | Requirement | ≥20 N | |
| | Conductor type | Type of conductor and conductor cross-section | AWG 22/1 |
| | | Type of conductor and conductor cross-section | AWG 22/19 |
| | Evaluation | passed | |
| Requirement | ≥30 N | | |

Technical data

| | | |
|----------------|---|-----------|
| Conductor type | Type of conductor and conductor cross-section | H05V-K0.5 |
| | Type of conductor and conductor cross-section | H05V-U0.5 |
| Evaluation | passed | |
| Requirement | ≥ 90N | |
| Conductor type | Type of conductor and conductor cross-section | H07V-K10 |
| | Type of conductor and conductor cross-section | H07V-U10 |
| | Type of conductor and conductor cross-section | AWG8/7 |
| | Type of conductor and conductor cross-section | AWG 8/19 |
| Evaluation | passed | |
| Requirement | ≥ 100 N | |
| Conductor type | Type of conductor and conductor cross-section | H07V-U16 |
| Evaluation | passed | |

Important note

IPC conformity Conformity: The products are developed, manufactured and delivered according international recognized standards and norms and comply with the assured properties in the data sheet resp. fulfill decorative properties in accordance with IPC-A-610 "Class 2". Further claims on the products can be evaluated on request.

Notes • Long term storage of the product with average temperature of 50 °C and maximum humidity 70%, 36 months

Classifications

| | | | |
|-------------|-------------|-------------|-------------|
| ETIM 8.0 | EC002643 | ETIM 9.0 | EC002643 |
| ETIM 10.0 | EC002643 | ECLASS 14.0 | 27-46-01-01 |
| ECLASS 15.0 | 27-46-01-01 | | |

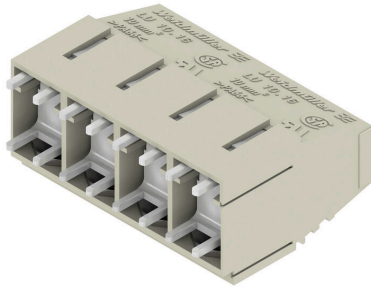
LU 10.16/04/90 3.2SN GY BX

Weidmüller Interface GmbH & Co. KG
 Klingenbergstraße 26
 D-32758 Detmold
 Germany

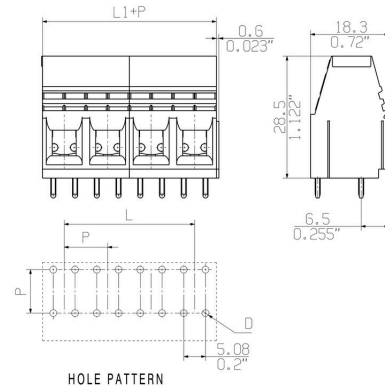
www.weidmueller.com

Drawings

Product image



Dimensional drawing



Graph



Accessories

Slotted screwdriver



Slotted screwdriver with rounded blade SD DIN 5265, ISO 2380/2, output to DIN 5264, ISO 2380/1. ChromTop tip, SoftFinish grip

General ordering data

| | | | |
|------------|----------------------------|--------------------------|--|
| Type | SDS 1.0X5.5X150 | Version | |
| Order No. | 9008350000 | Screwdriver, Screwdriver | |
| GTIN (EAN) | 4032248056316 | | |
| Qty. | 1 ST | | |

| | | | |
|------------|----------------------------|--------------------------|--|
| Type | SDIS 1.0X5.5X125 | Version | |
| Order No. | 9008410000 | Screwdriver, Screwdriver | |
| GTIN (EAN) | 4032248056378 | | |
| Qty. | 1 ST | | |

Crosshead screwdriver Pozidriv



Crosshead screwdriver, Pozidriv, SDK PZ DIN 5262, ISO 8764/2-PZ, output to ISO 8764/1-PZ, ChromTop tip, SoftFinish grip

General ordering data

| | | | |
|------------|----------------------------|--------------------------|--|
| Type | SDK PZ2 | Version | |
| Order No. | 9008540000 | Screwdriver, Screwdriver | |
| GTIN (EAN) | 4032248056538 | | |
| Qty. | 1 ST | | |

| | | | |
|------------|----------------------------|--------------------------|--|
| Type | SDIK PZ2 | Version | |
| Order No. | 9008890000 | Screwdriver, Screwdriver | |
| GTIN (EAN) | 4032248266661 | | |
| Qty. | 1 ST | | |